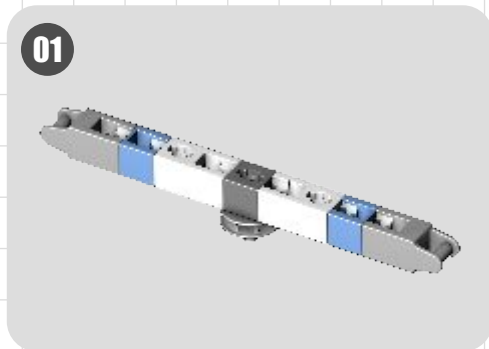
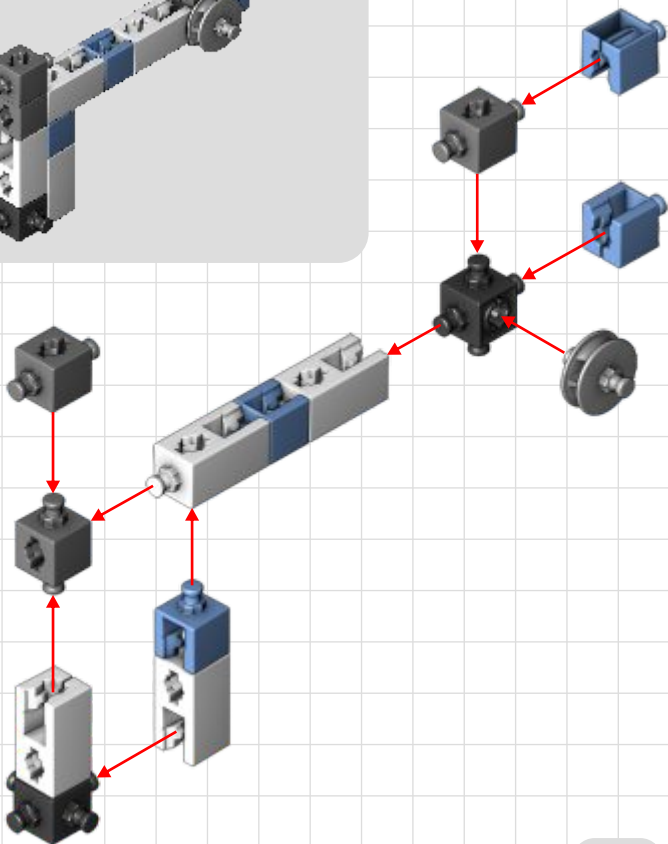
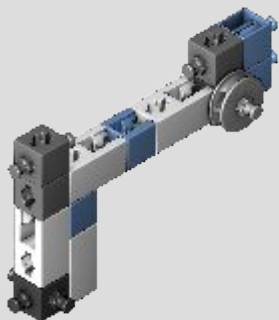


01

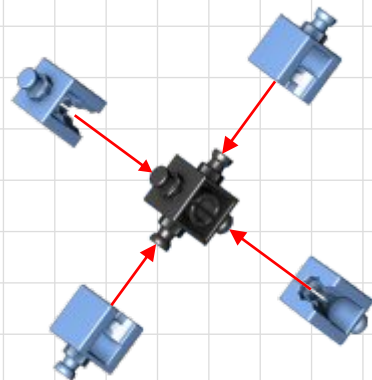
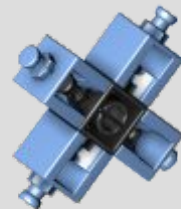


01

02

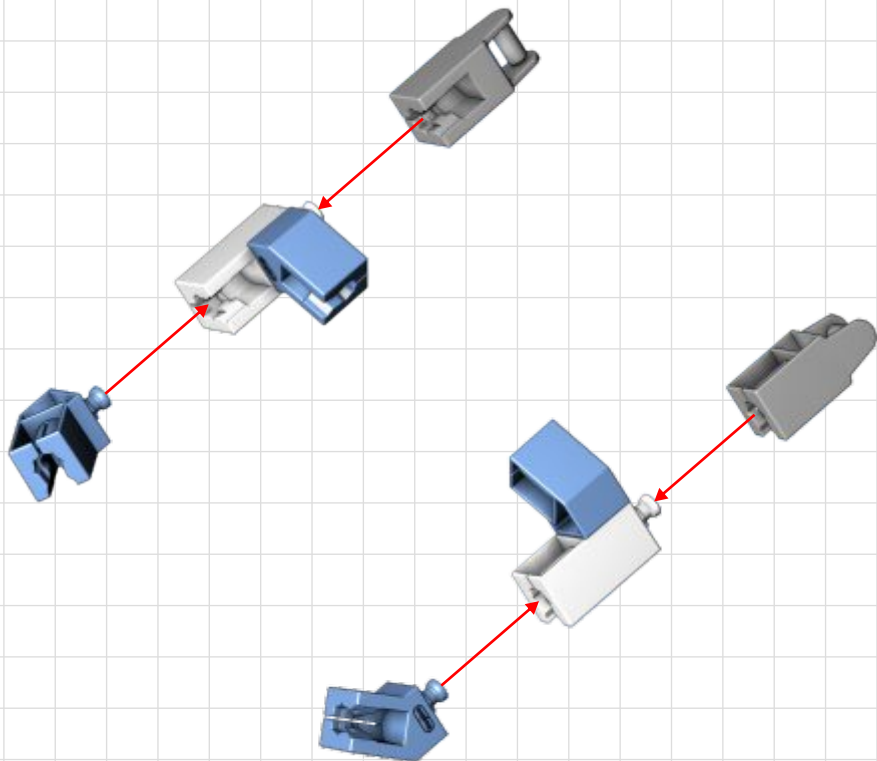
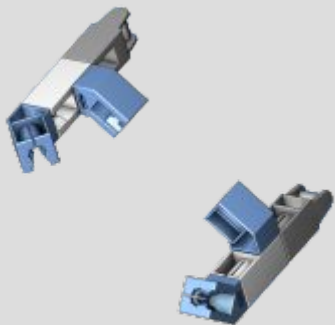


03



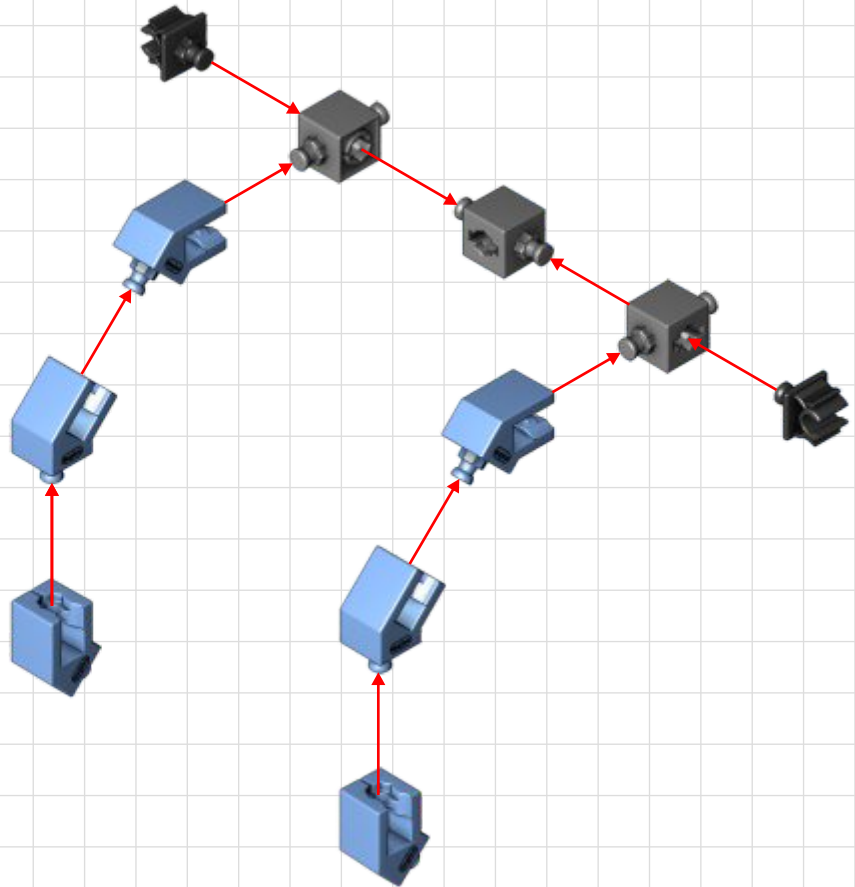
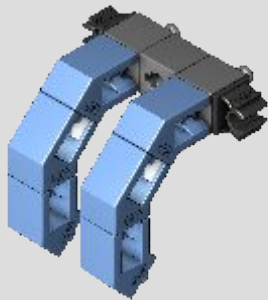
02

04

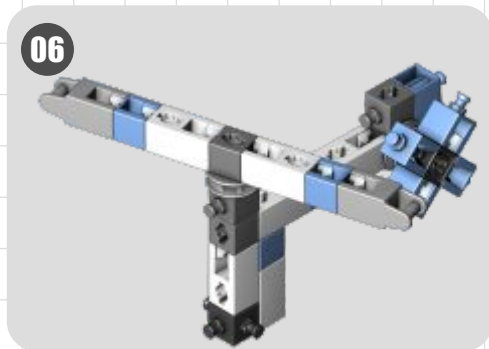
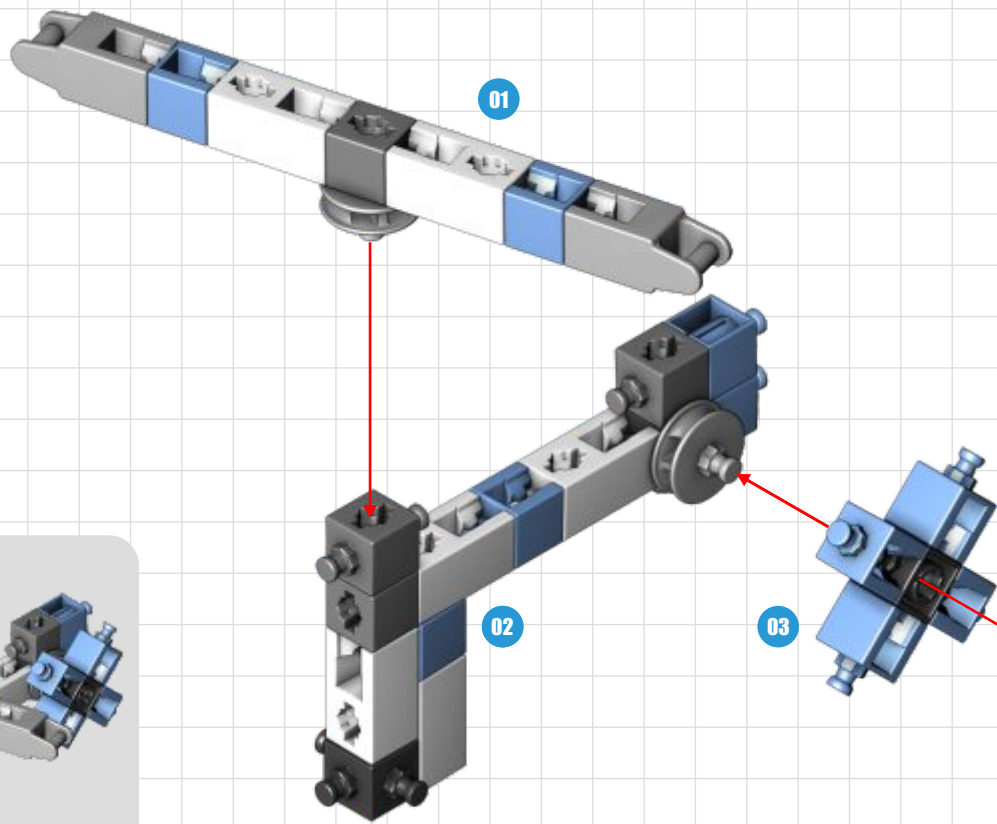


03

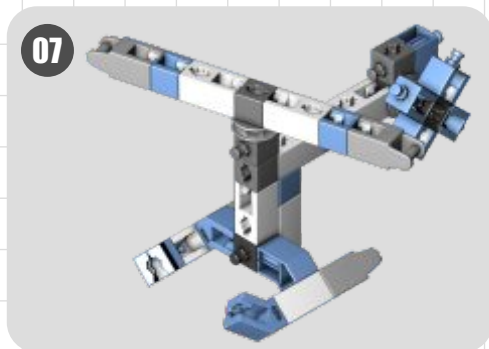
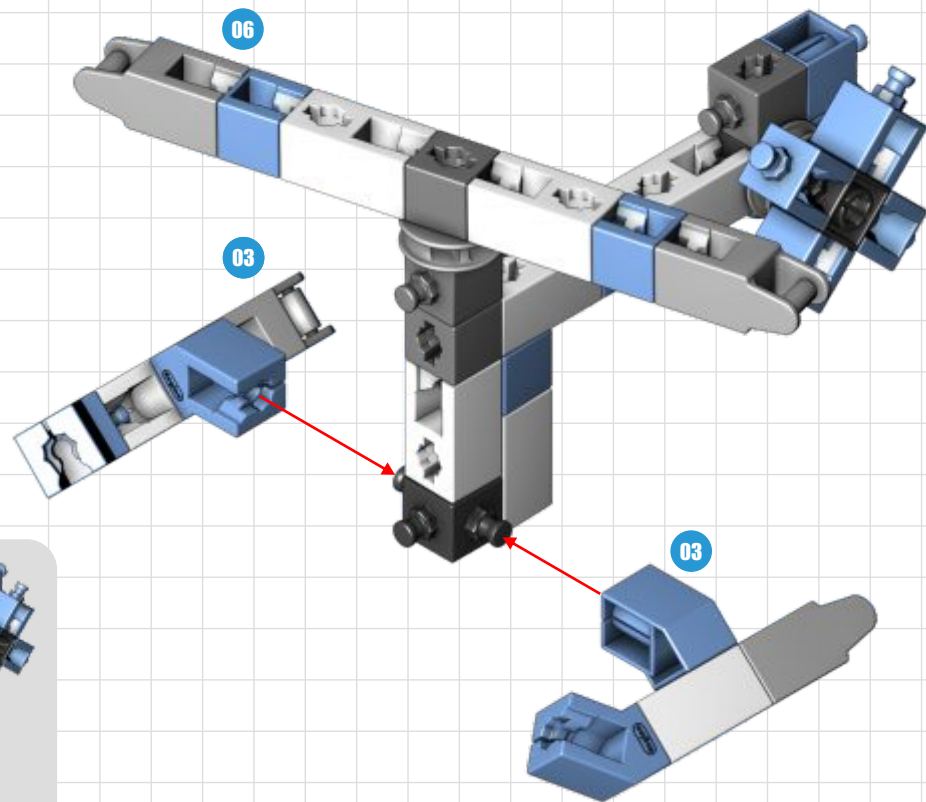
05



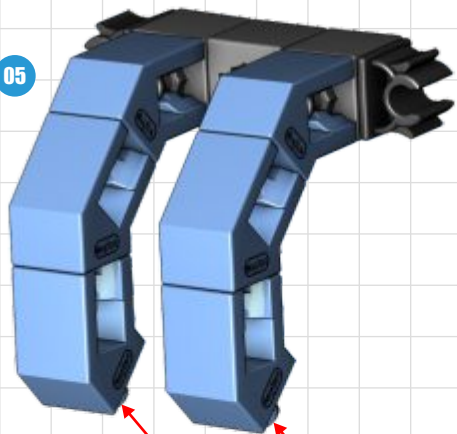
04



05



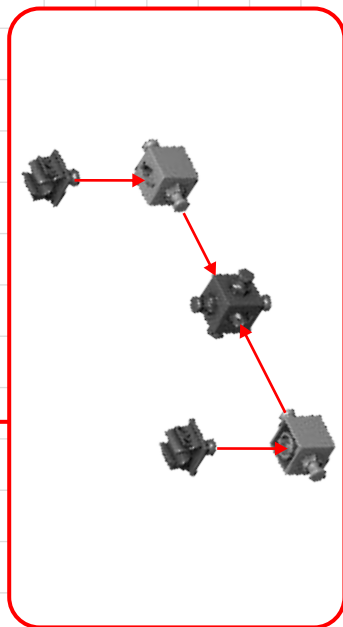
05



08

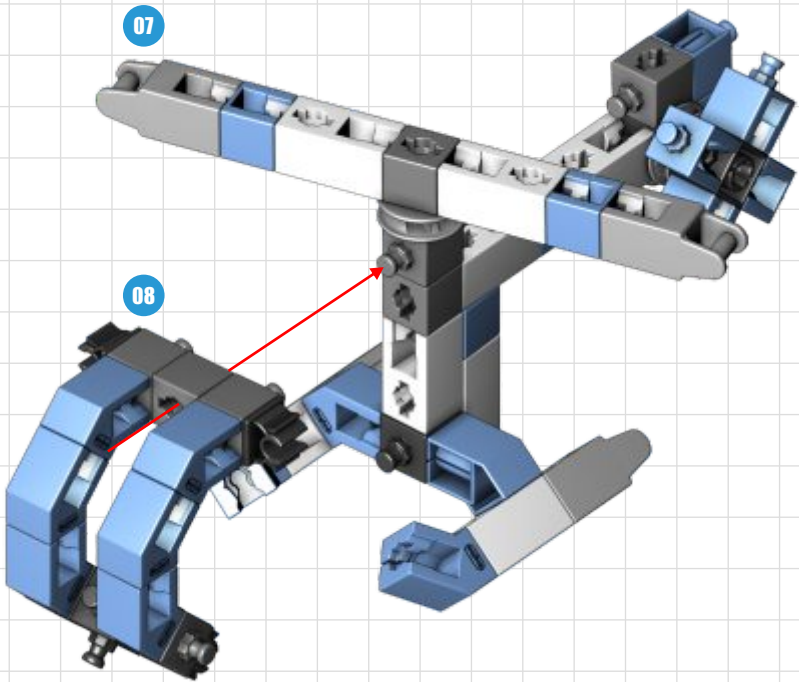


07

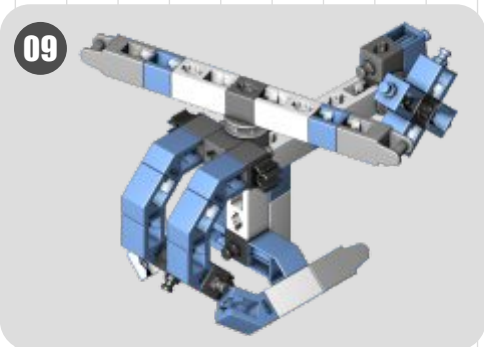


07

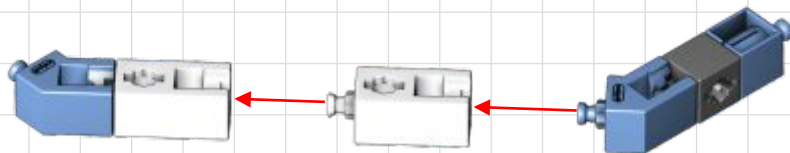
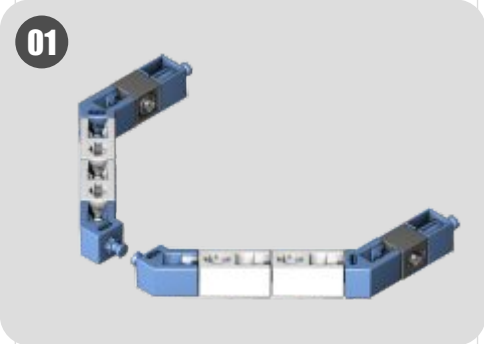
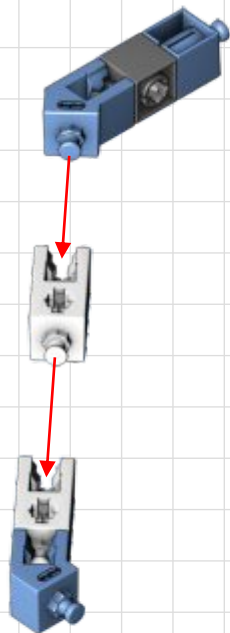
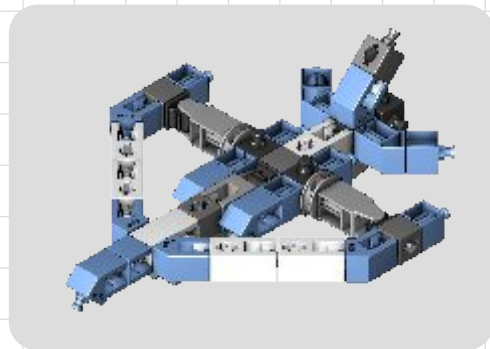
08

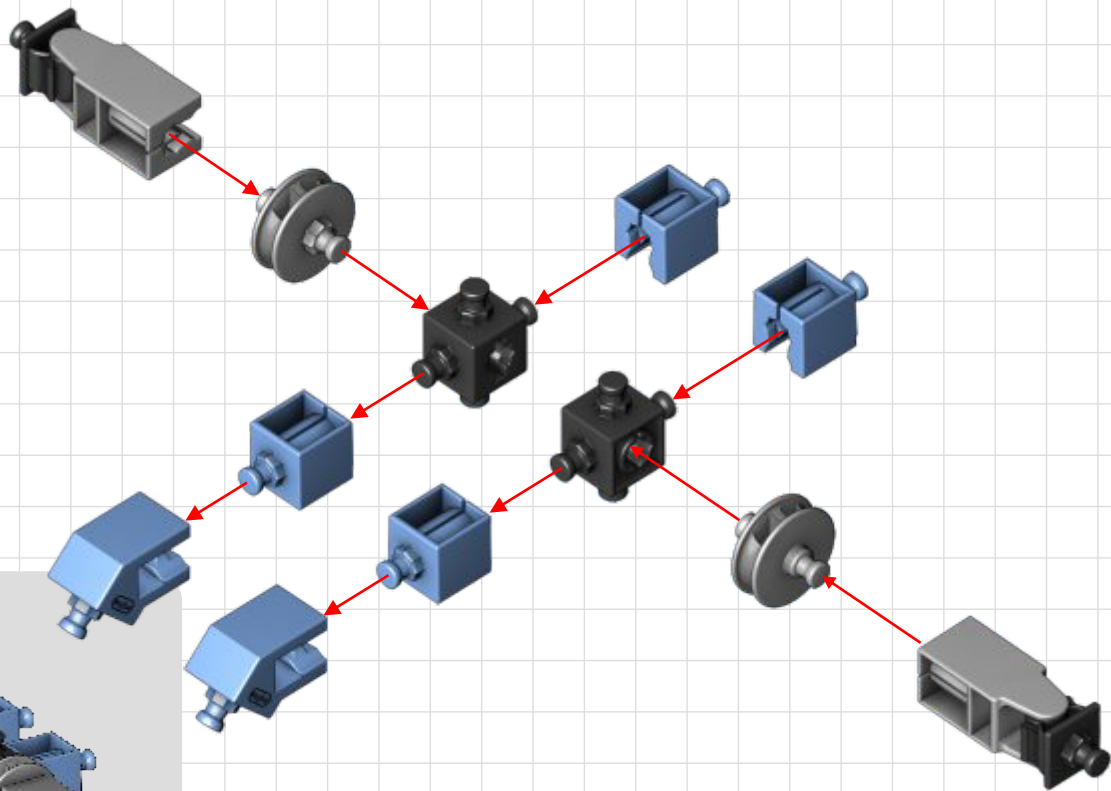


09

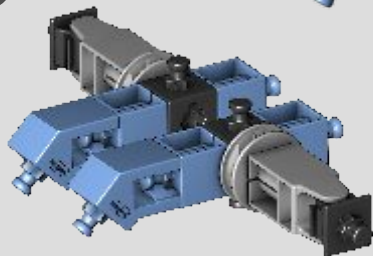


08

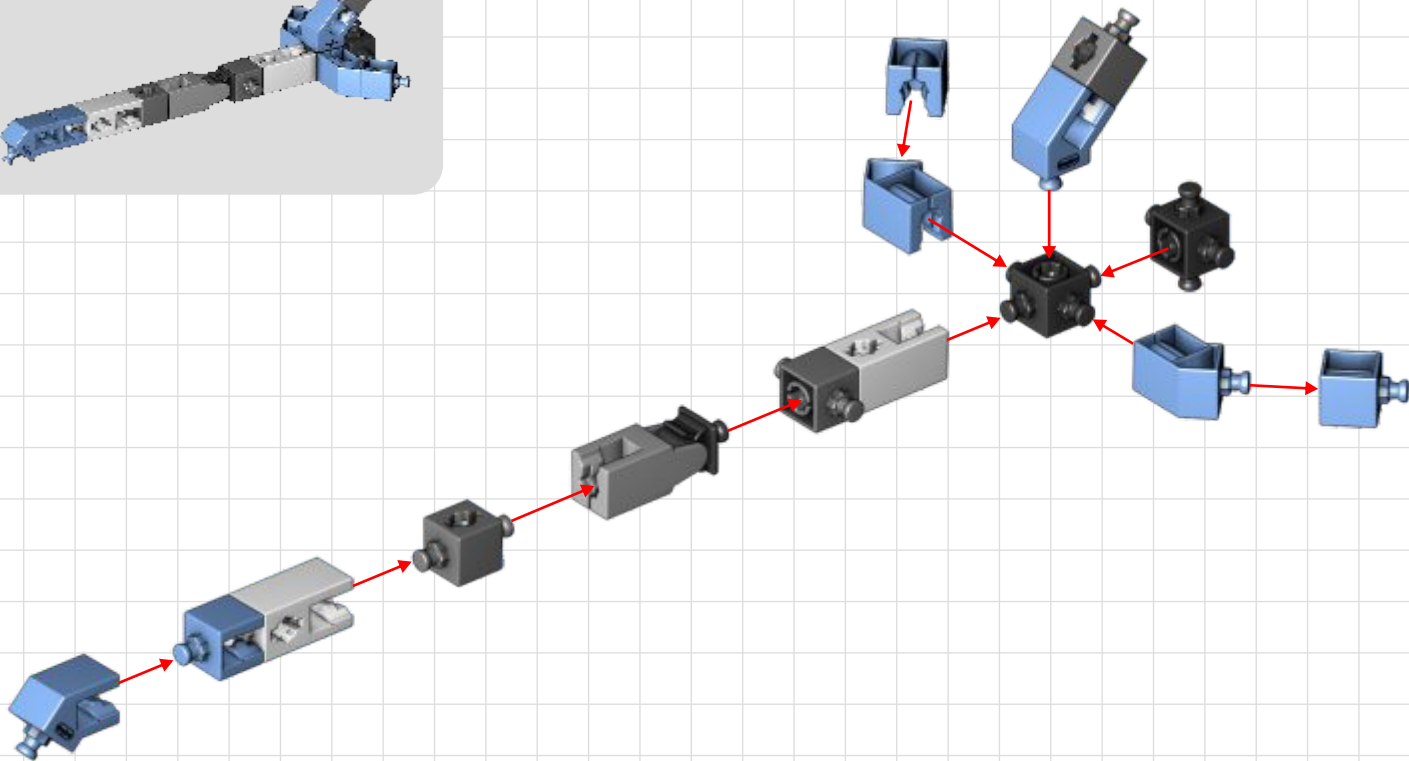
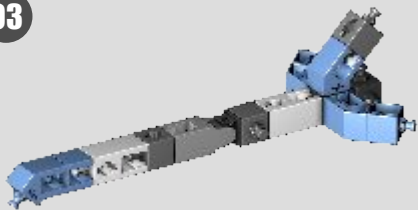




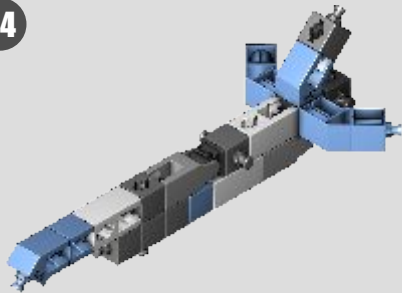
02



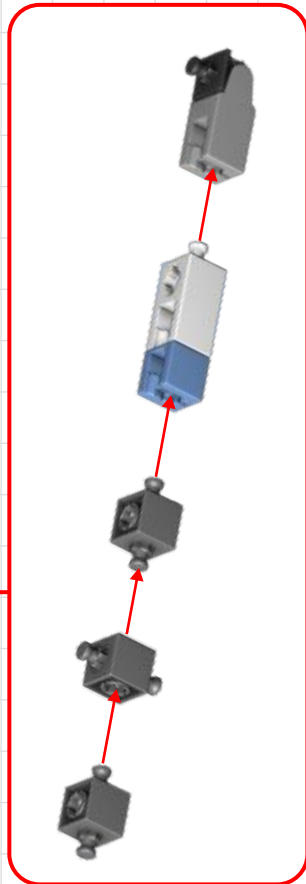
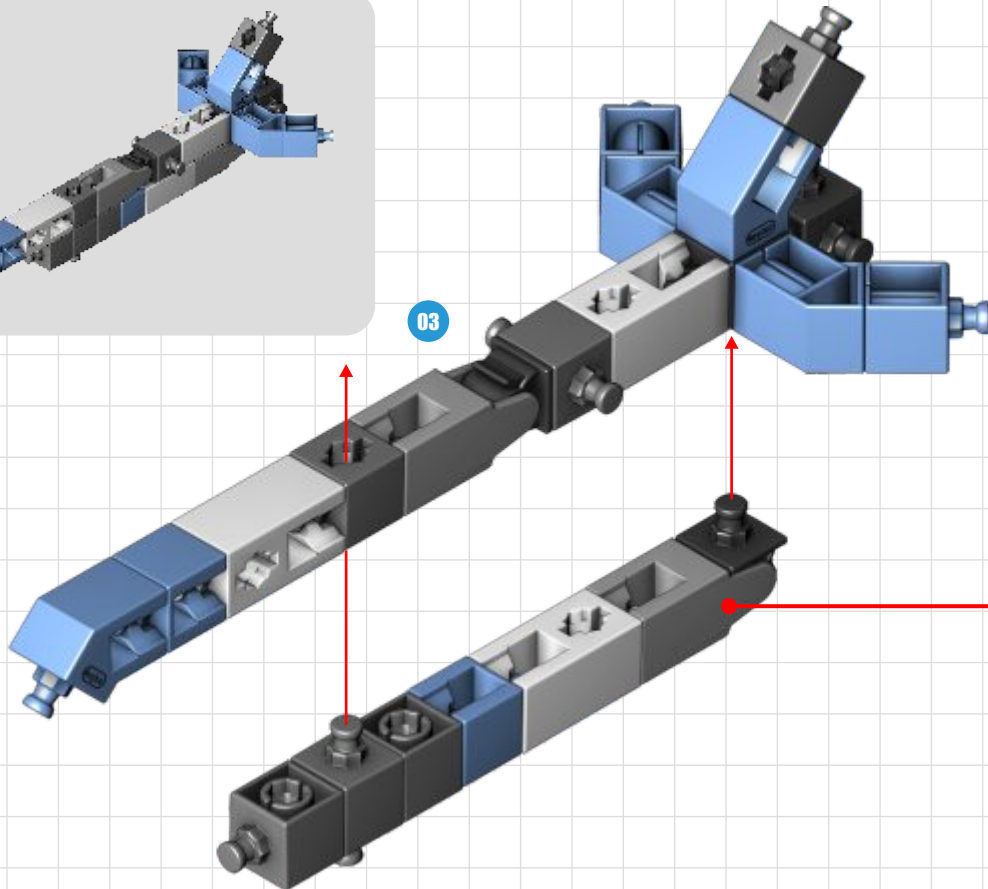
03



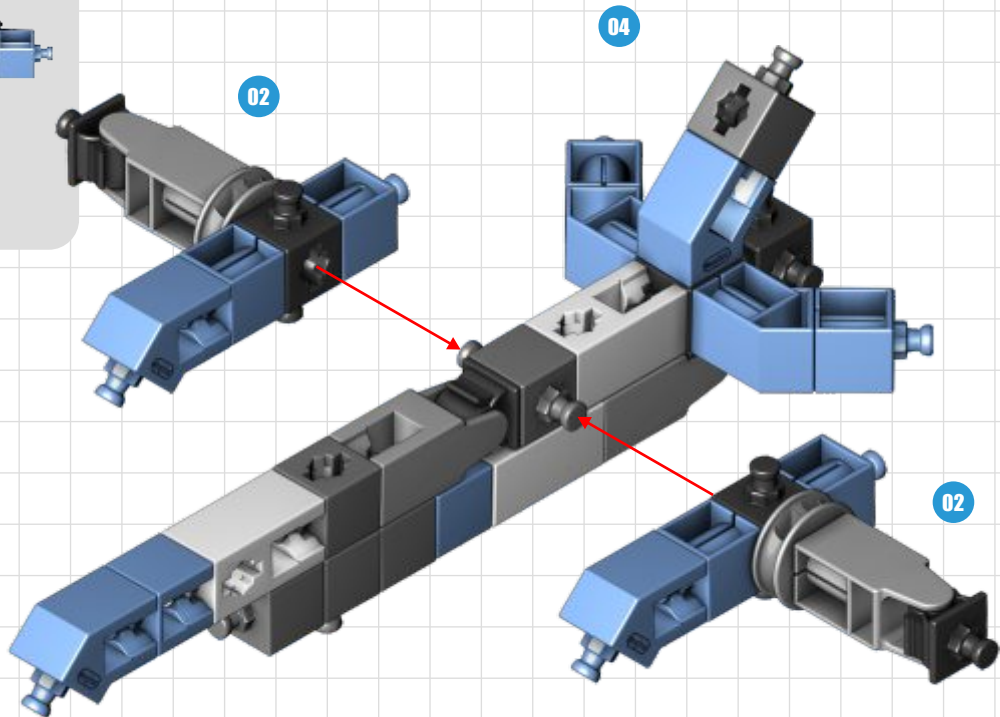
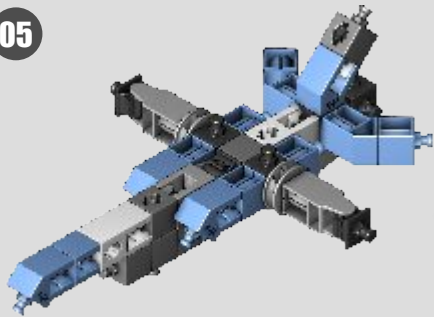
04

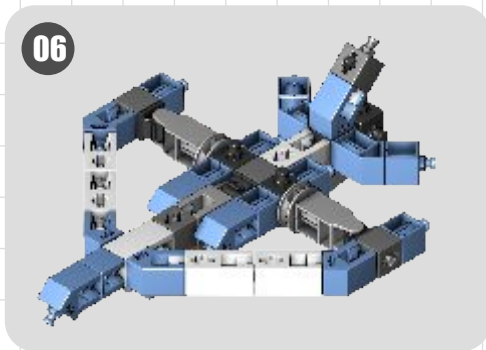
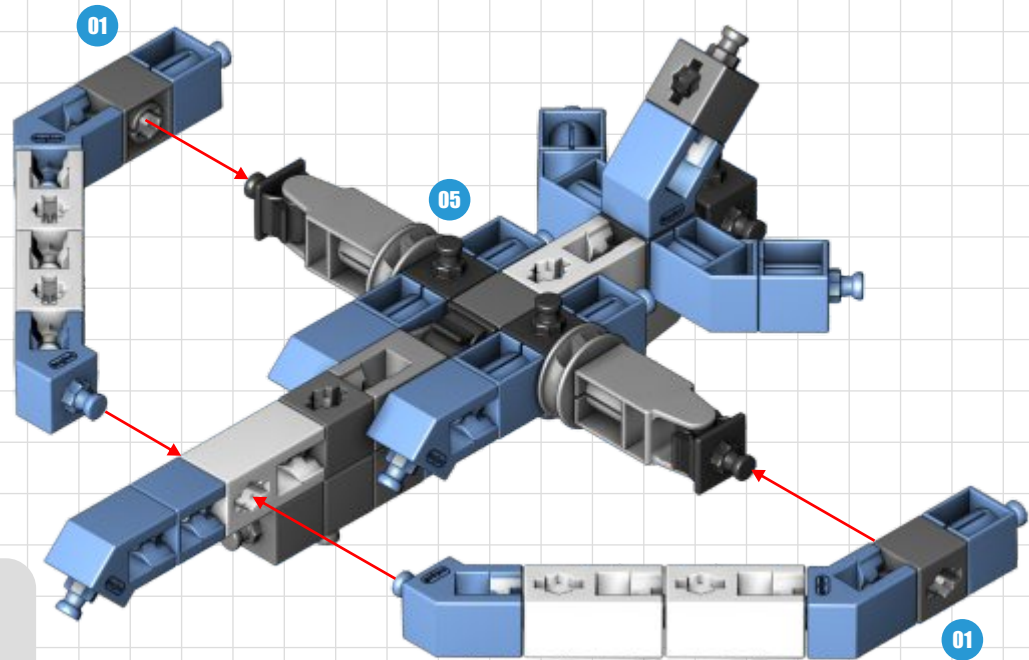


03



05







x4



x2



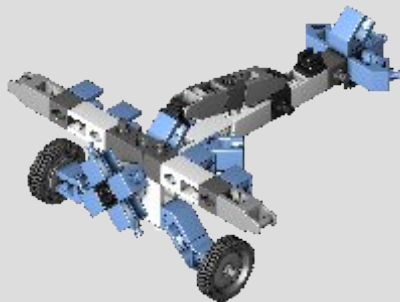
x2



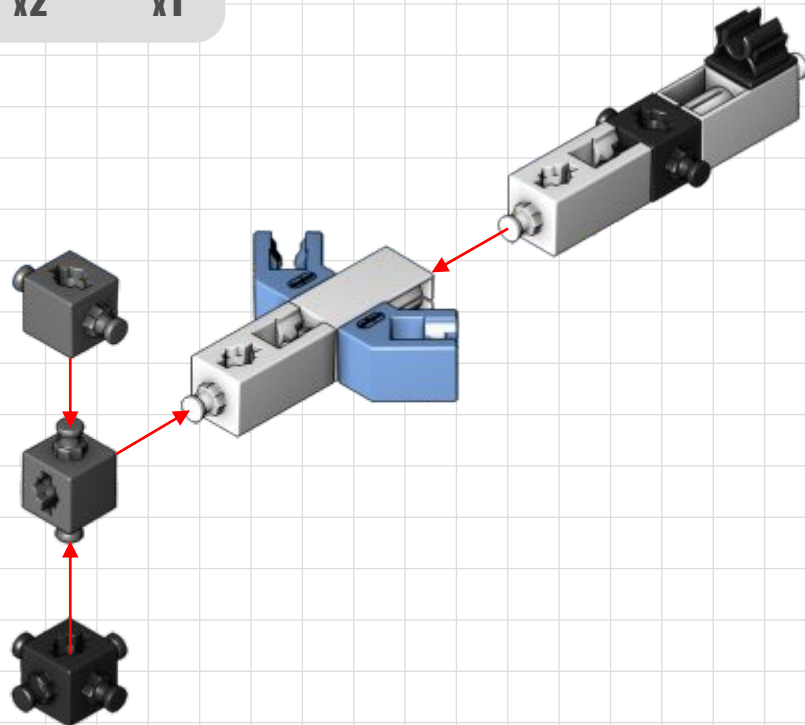
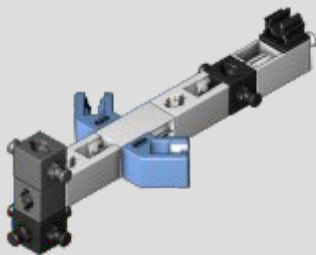
x2



x1



01





x1



x1



x1

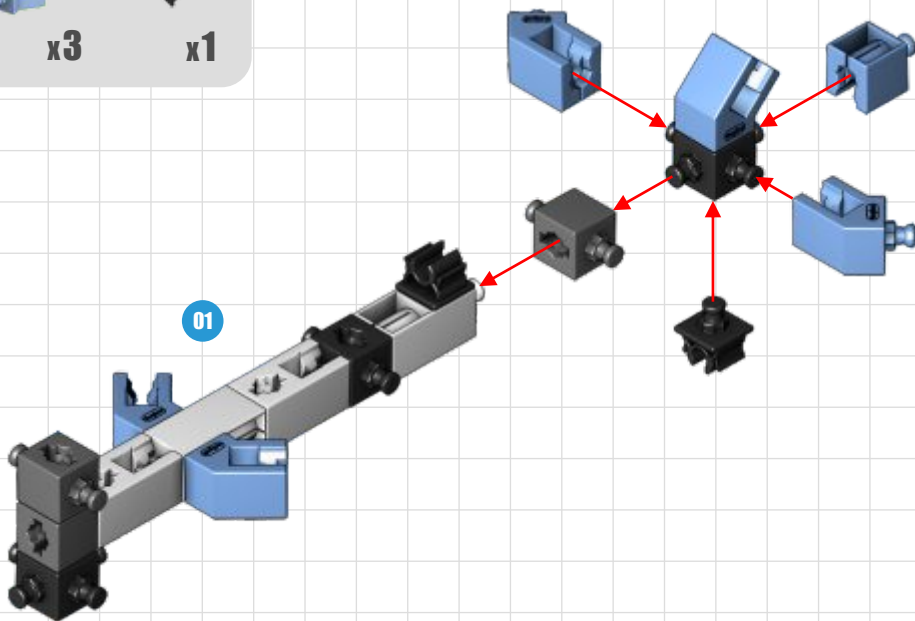


x3

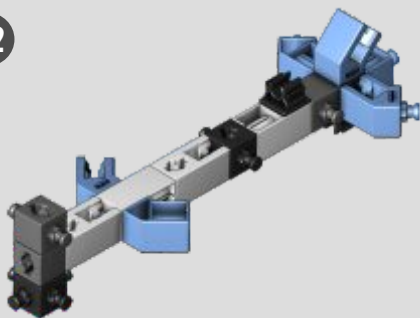


x1

01



02





x2



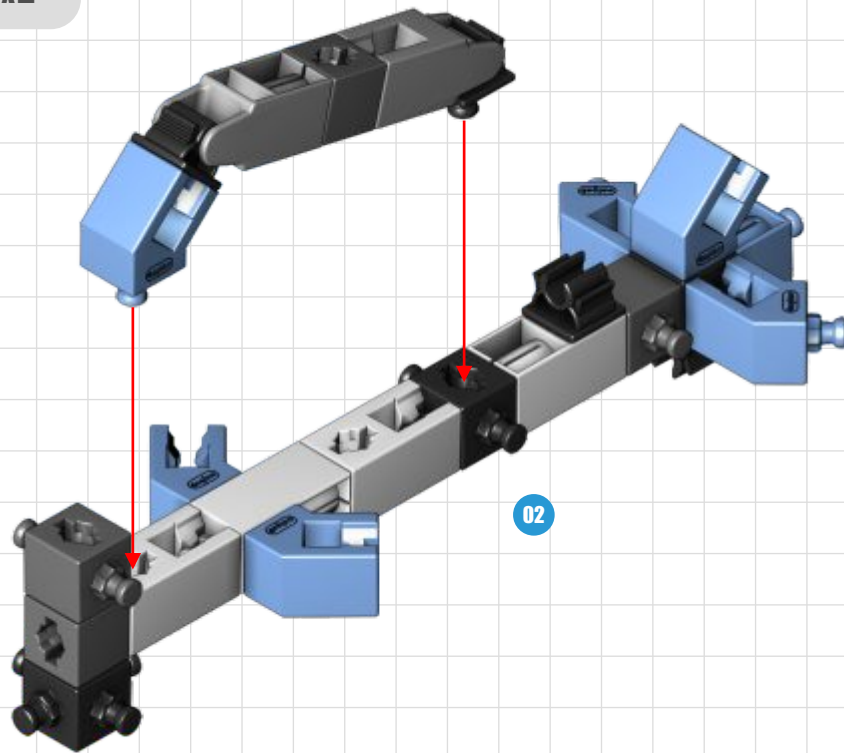
x1



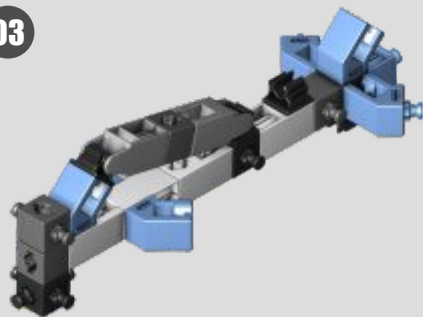
x1



x2



03





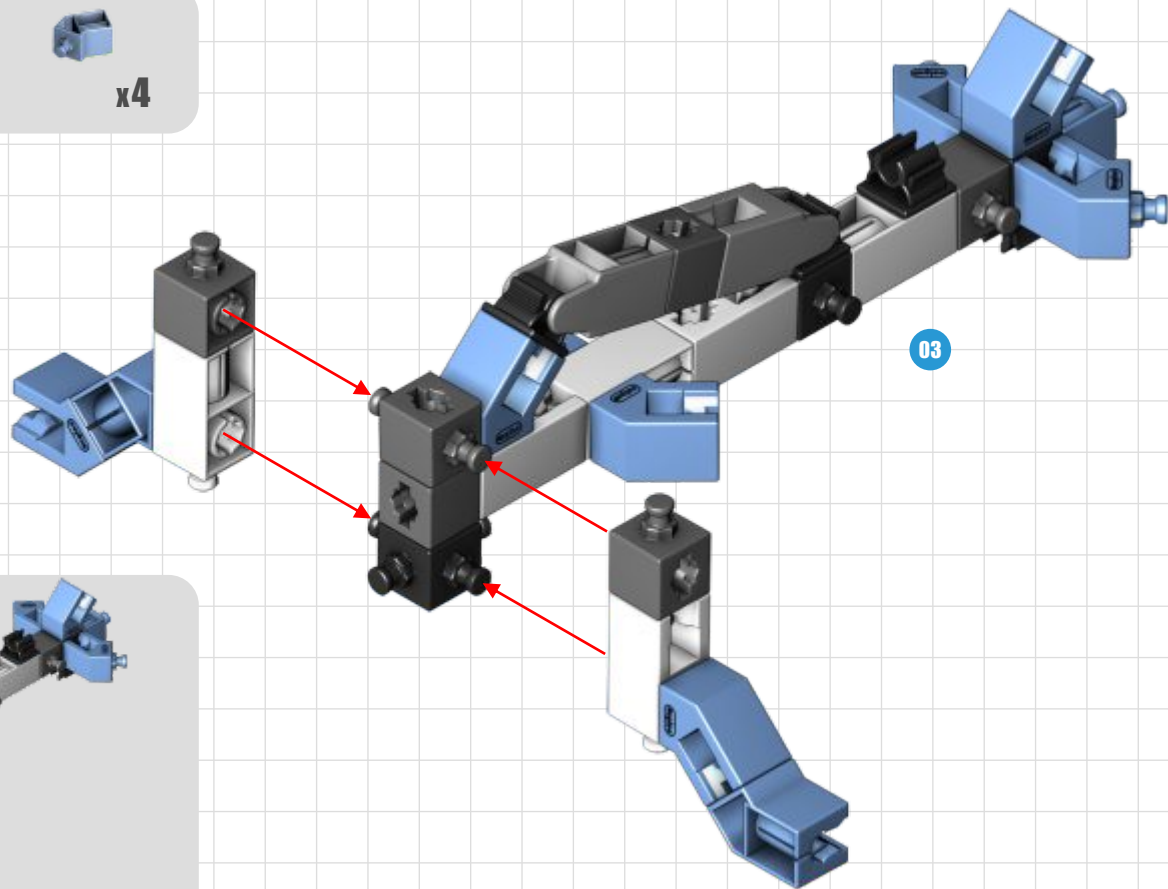
x2



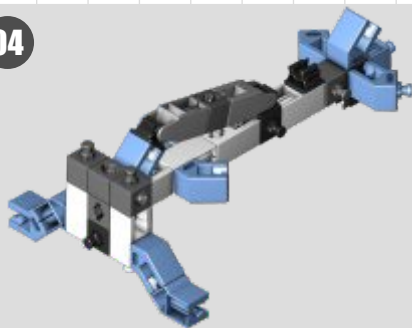
x2



x4



04





x2



x2



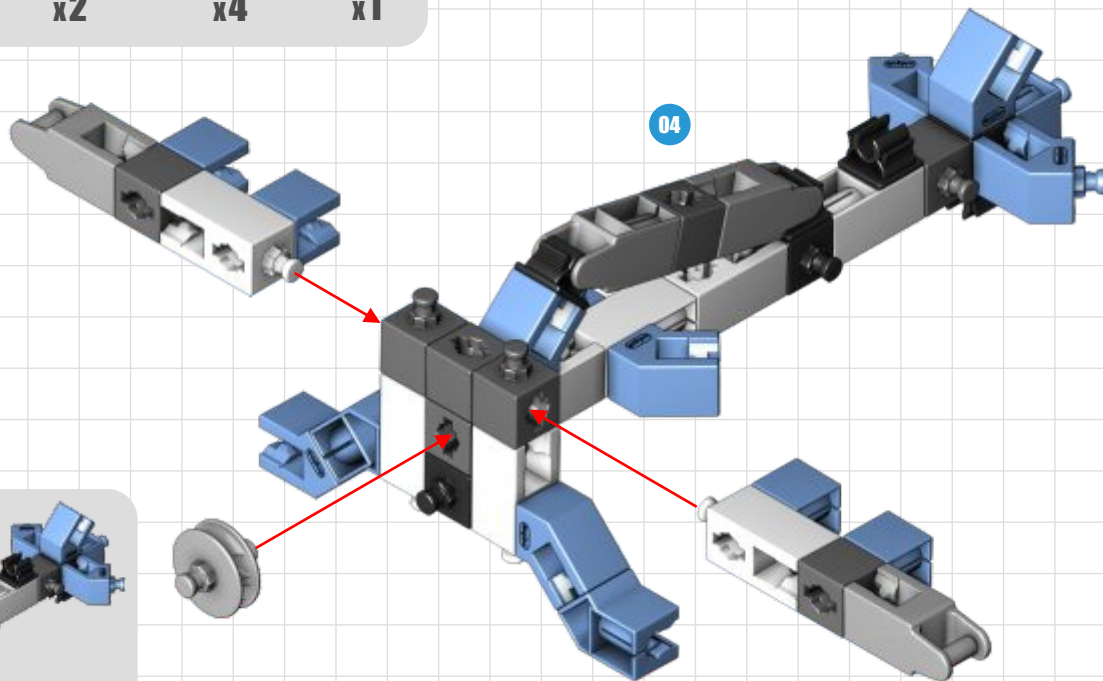
x2



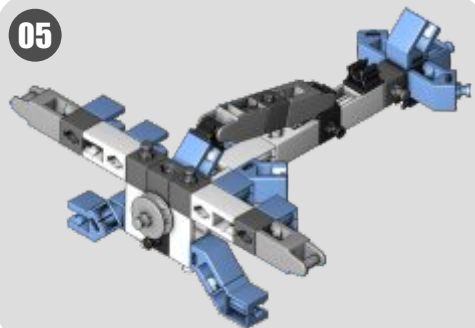
x4



x1



05



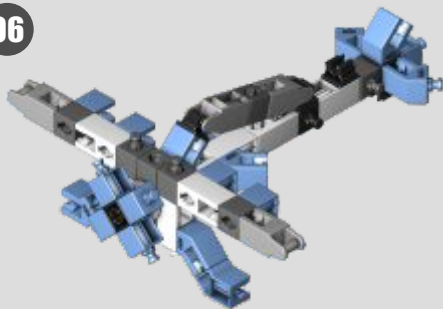


x4

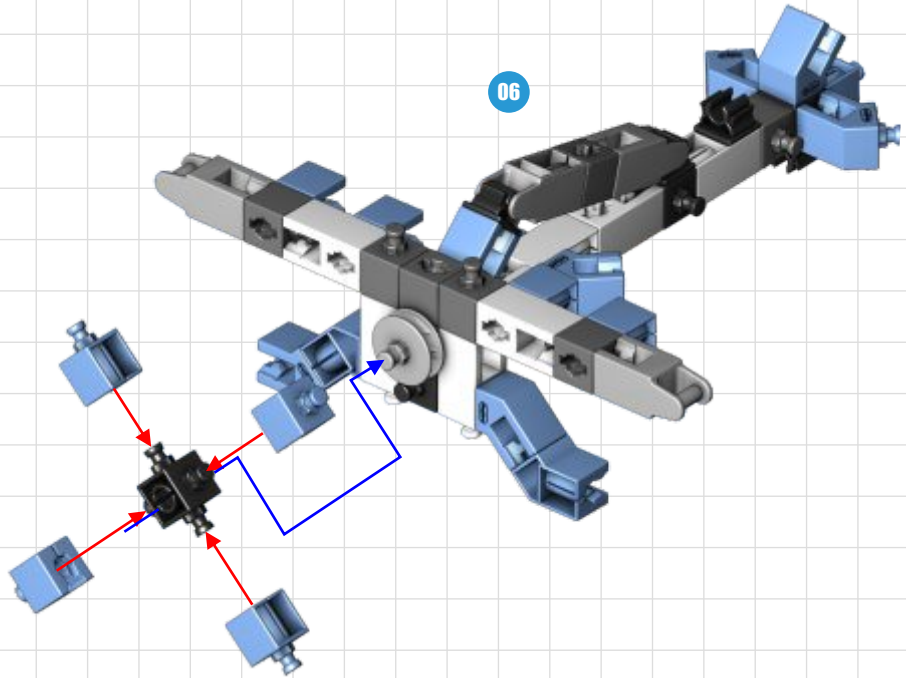


x1

06



06



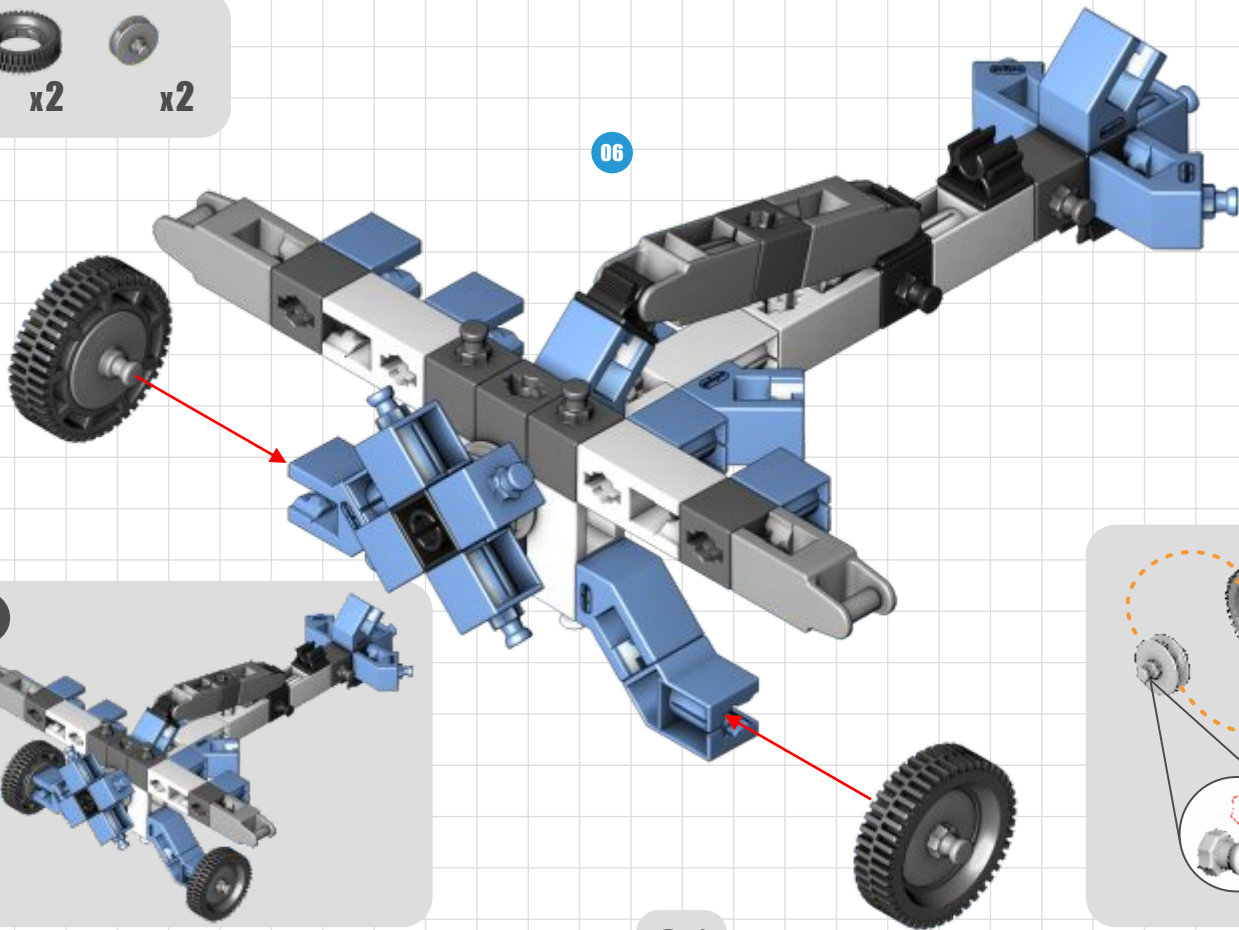


x2

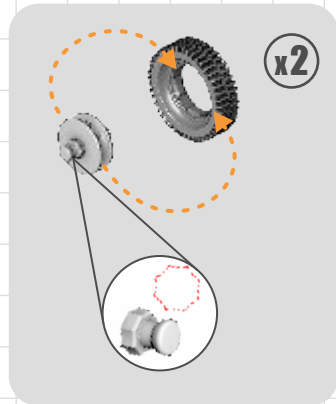
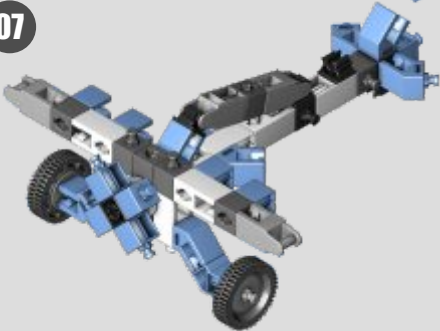


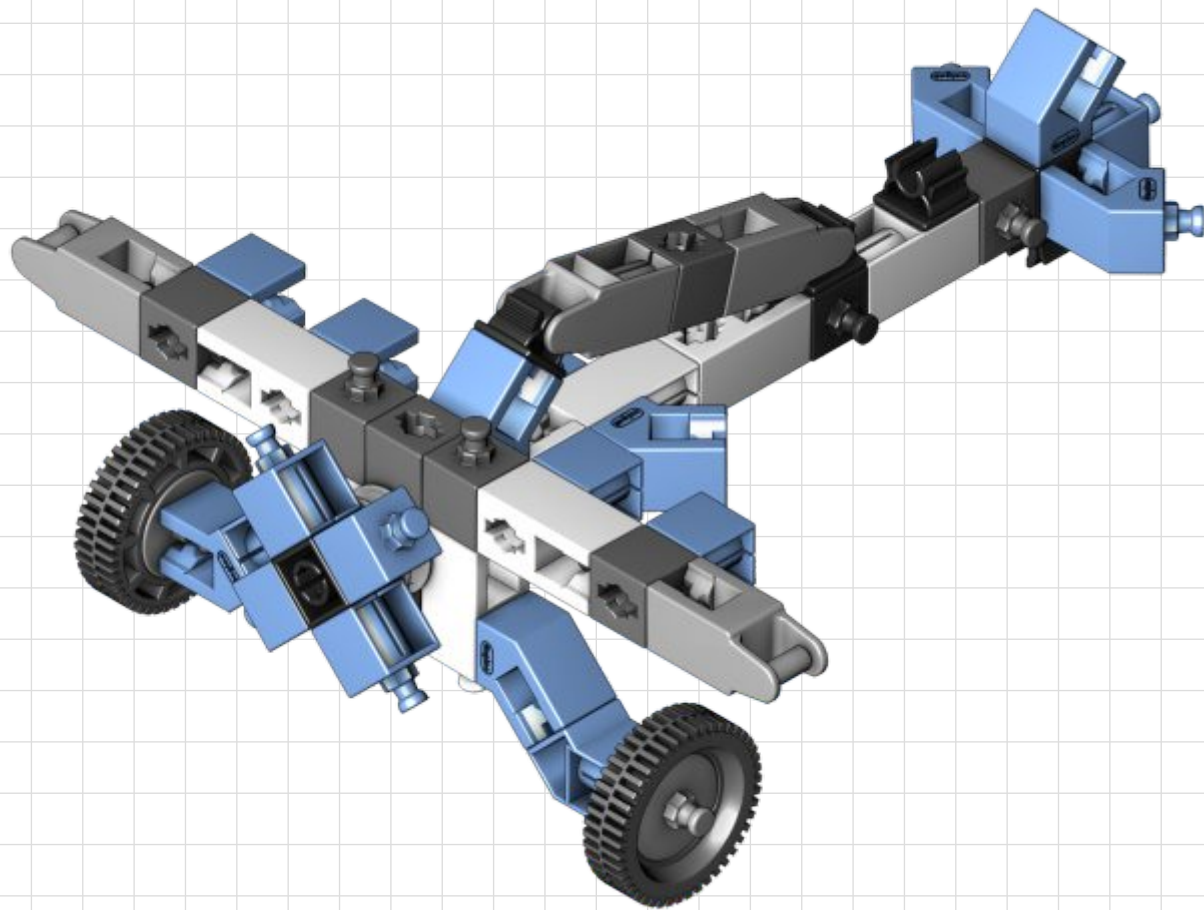
x2

06



07







x1



x1



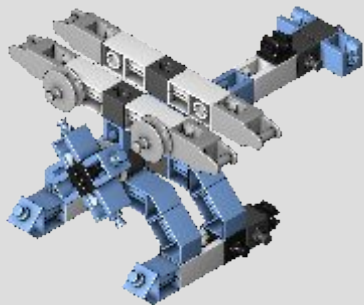
x1



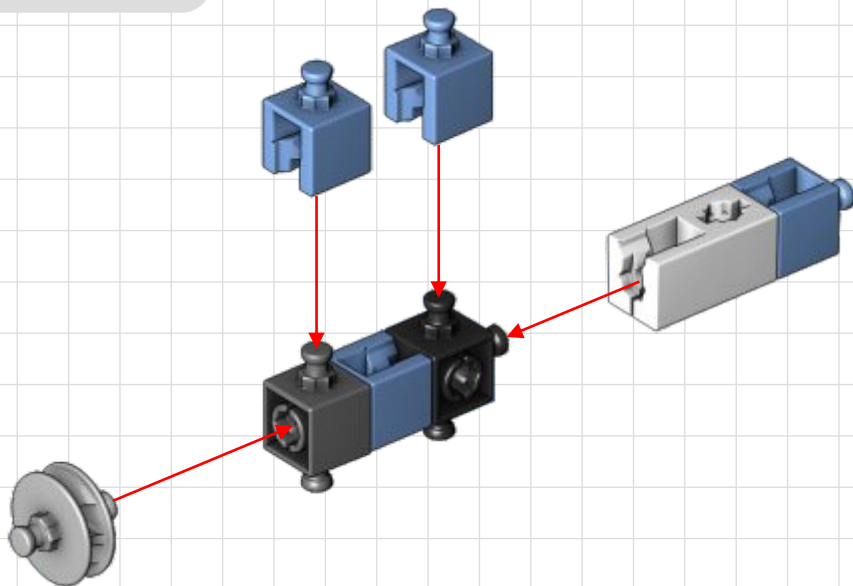
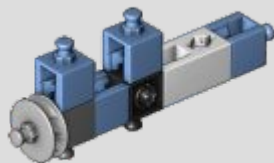
x4



x1



01





x1



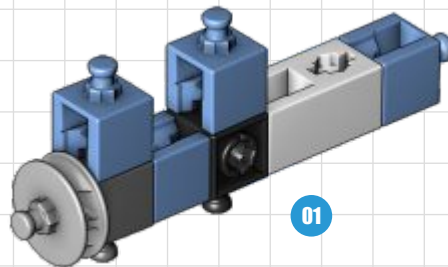
x2



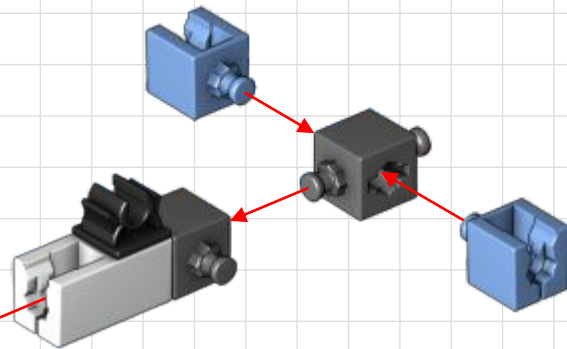
x2



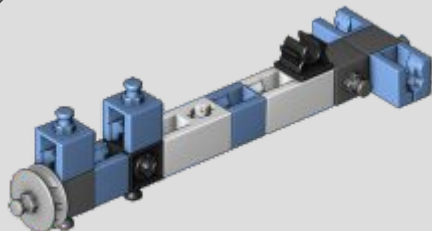
x1



01



02



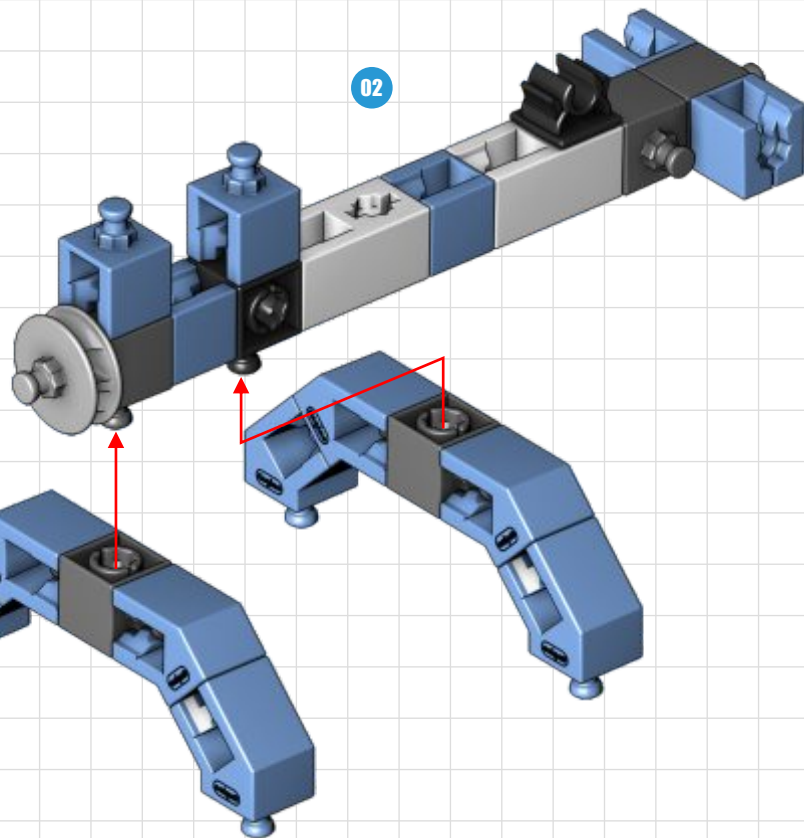


x2

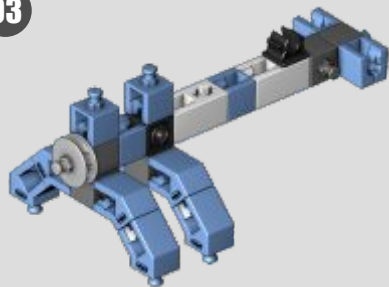


x8

02



03





x2



x2



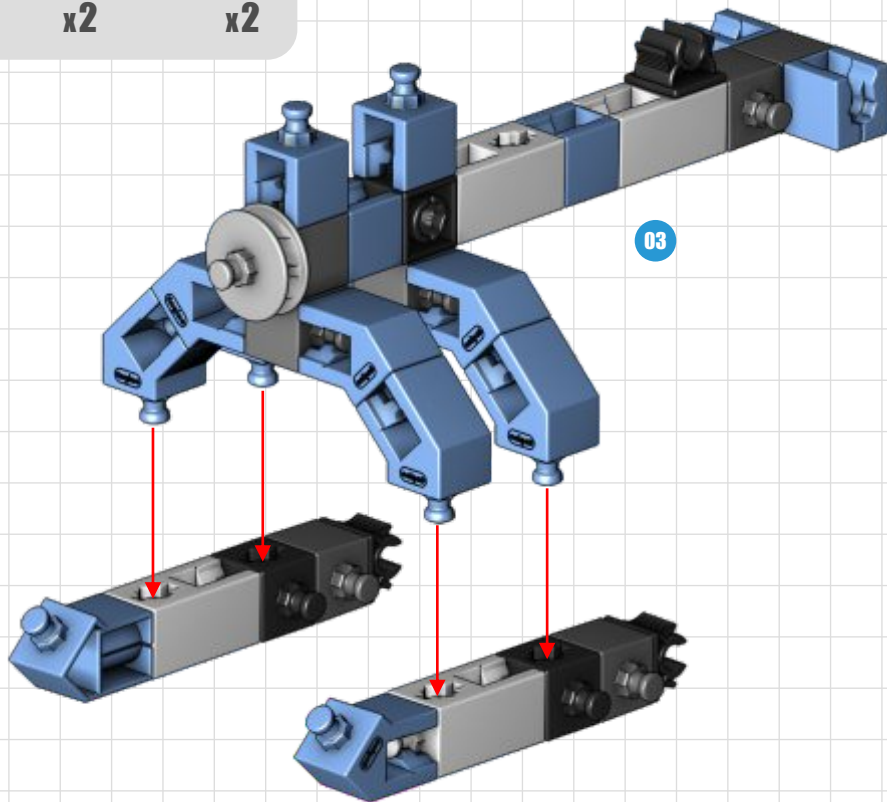
x2



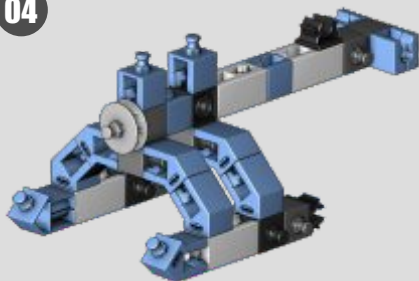
x2



x2



04





x4



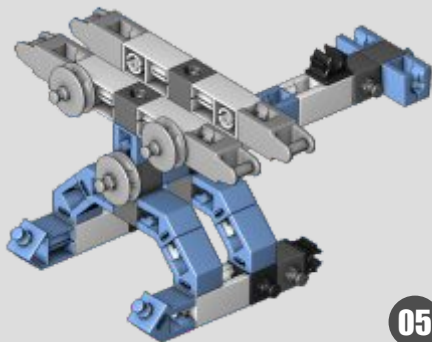
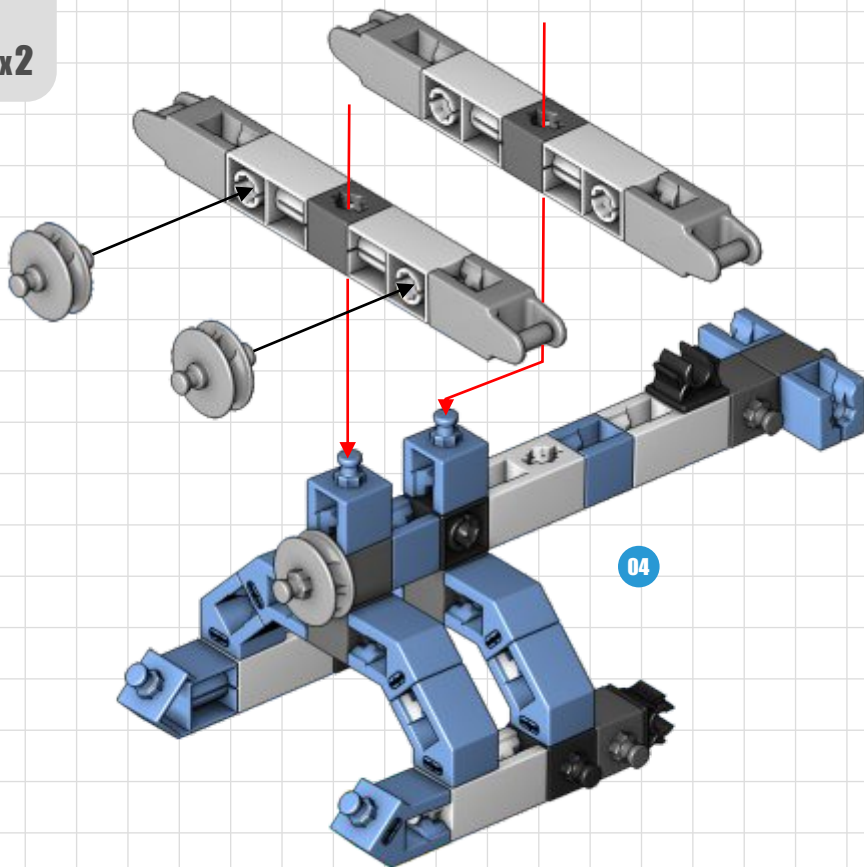
x4



x2



x2



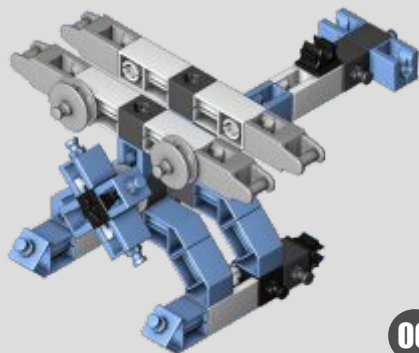
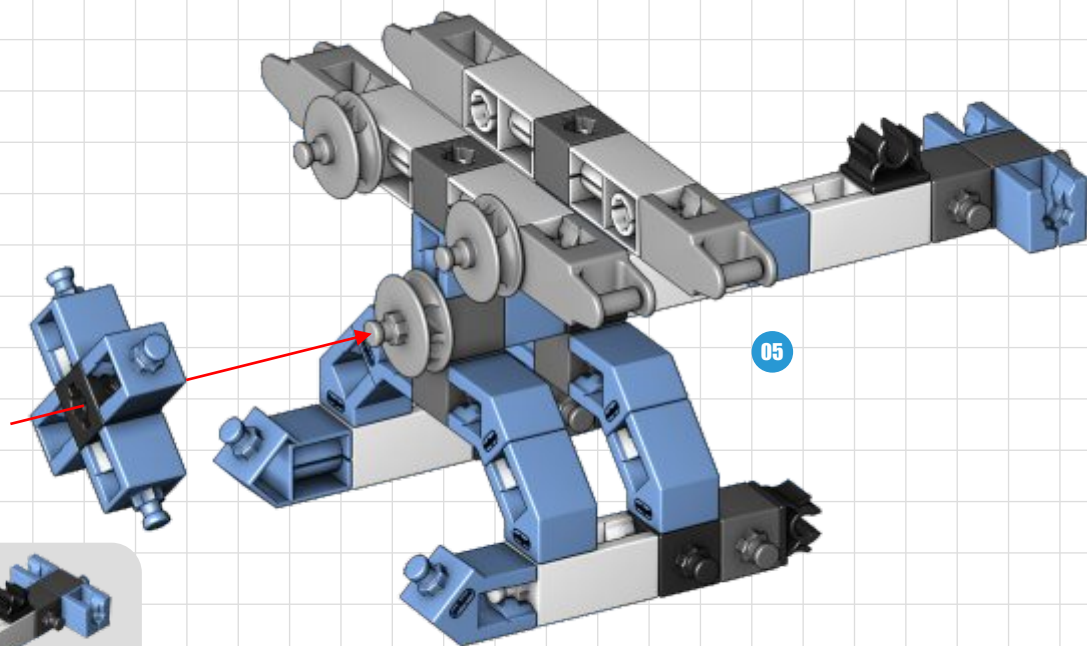
05



x1



x4





x4



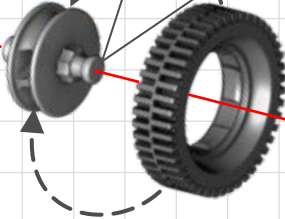
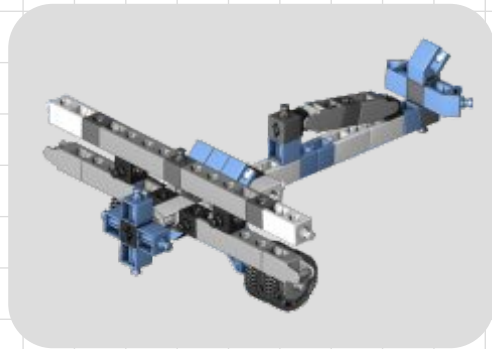
x2



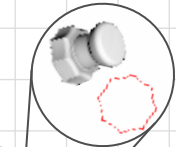
x4



x4

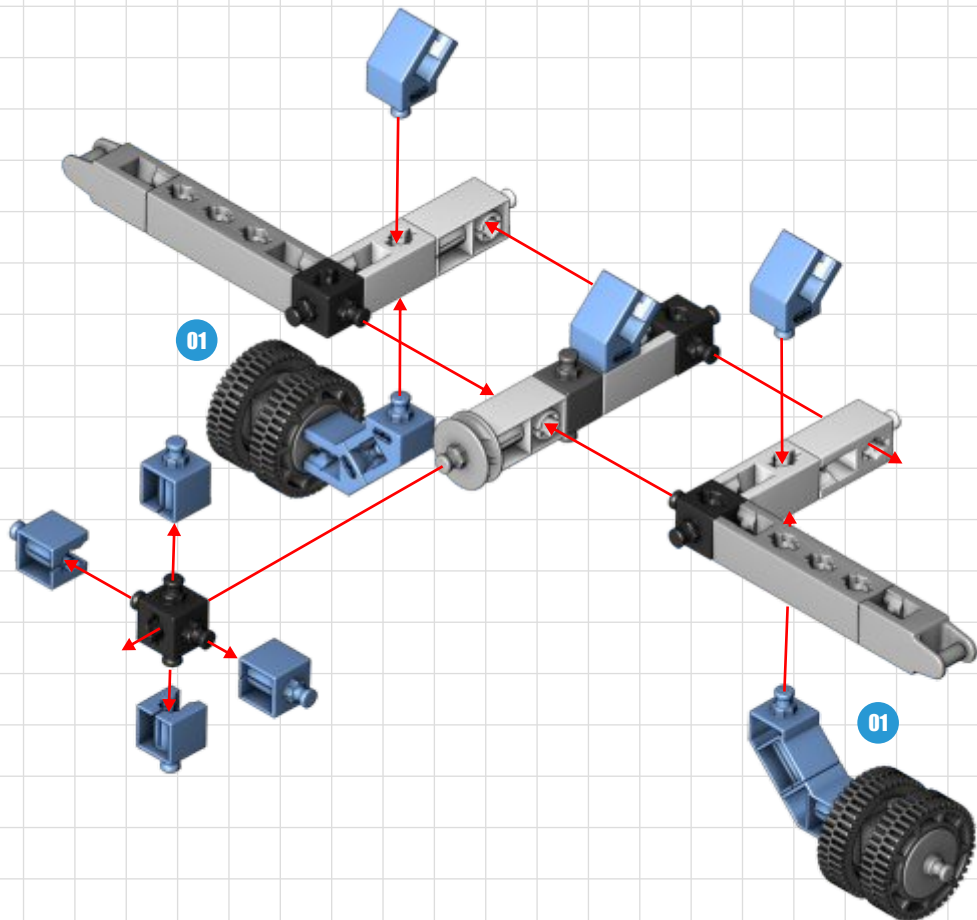
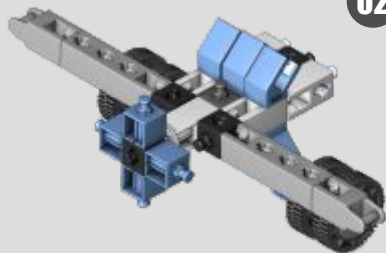


x2



01







x2

x5



x2



x2



x4



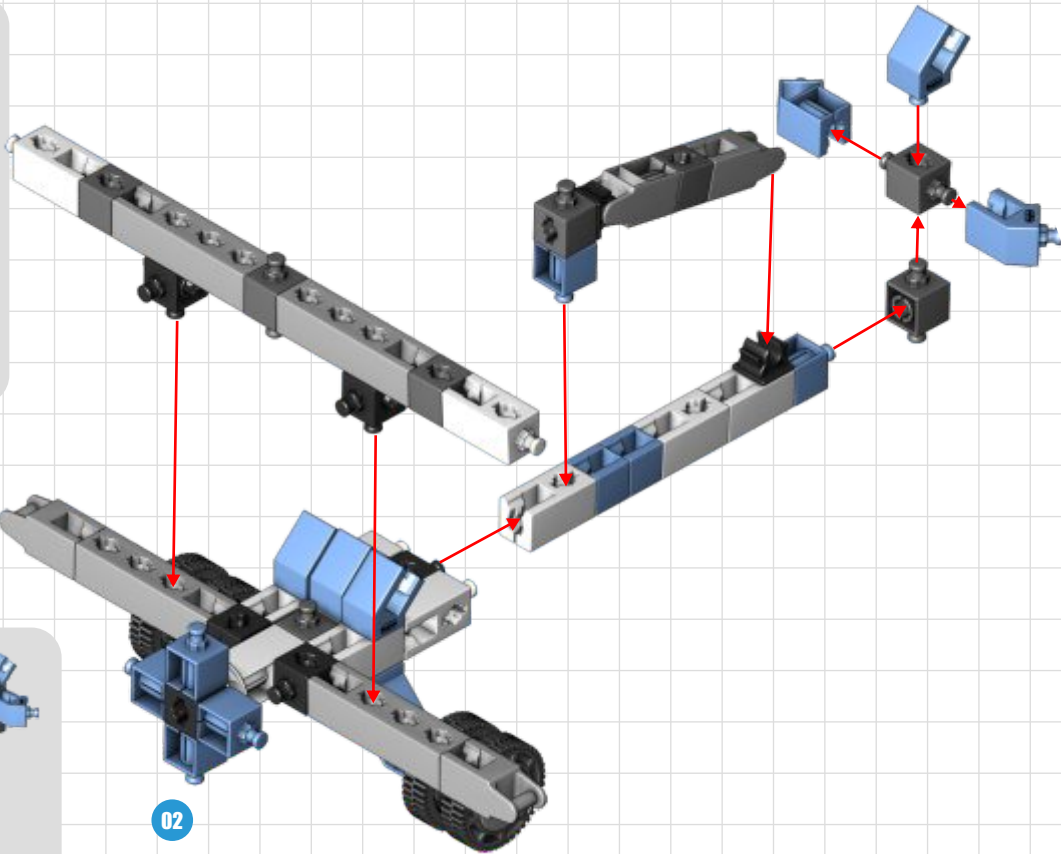
x3



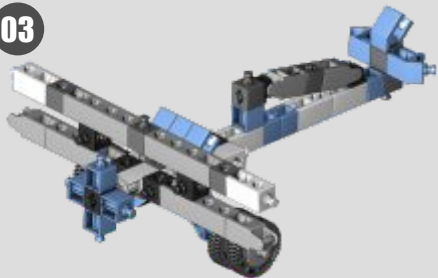
x2



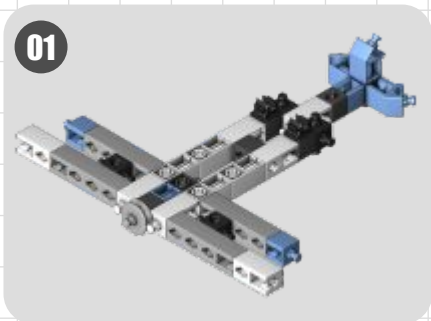
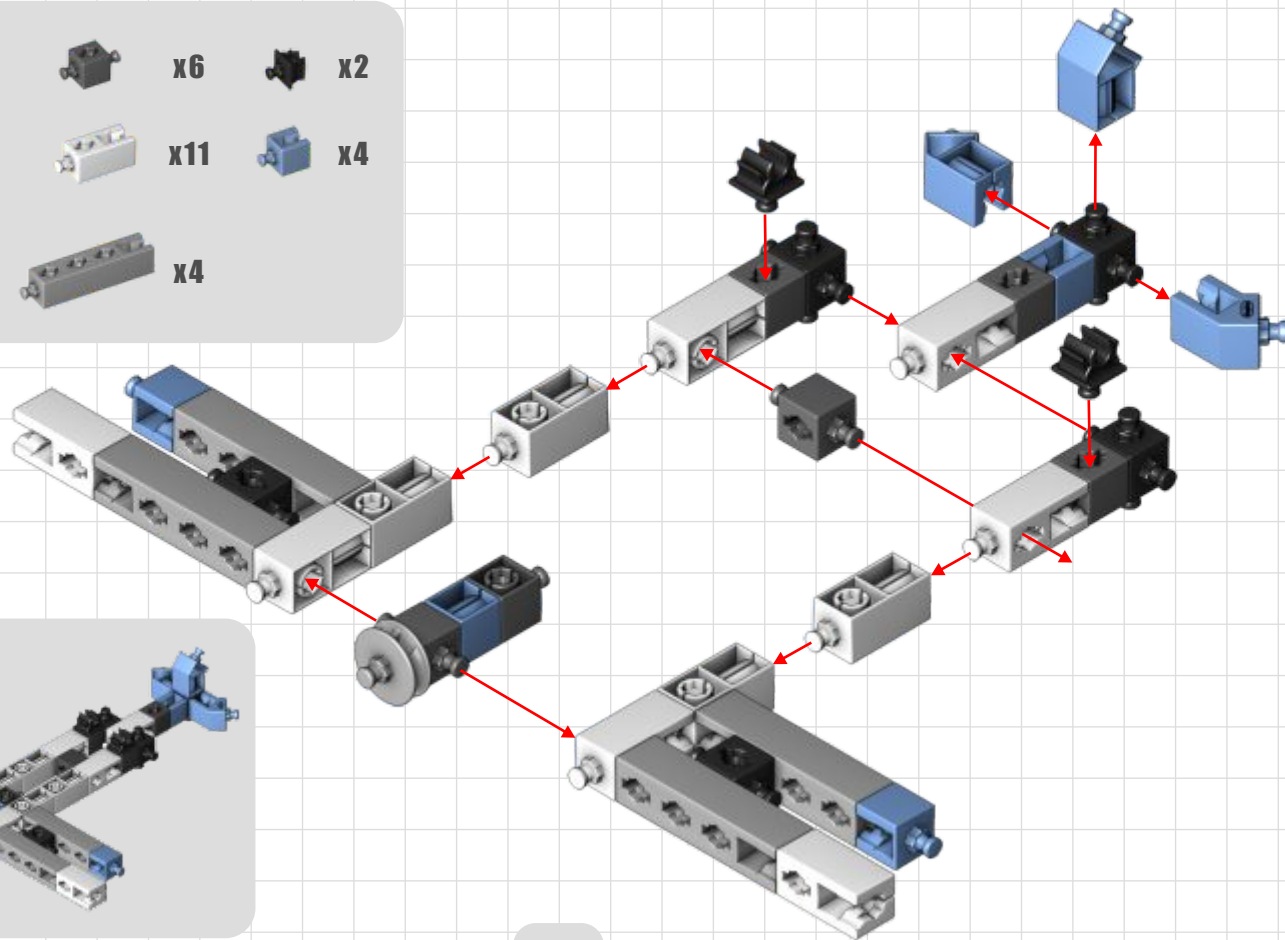
x7



03



- | | | |
|--|---|--|
|  x1 |  x6 |  x2 |
|  x5 |  x11 |  x4 |
|  x3 |  x4 | |





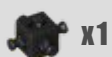
x3



x3



x4



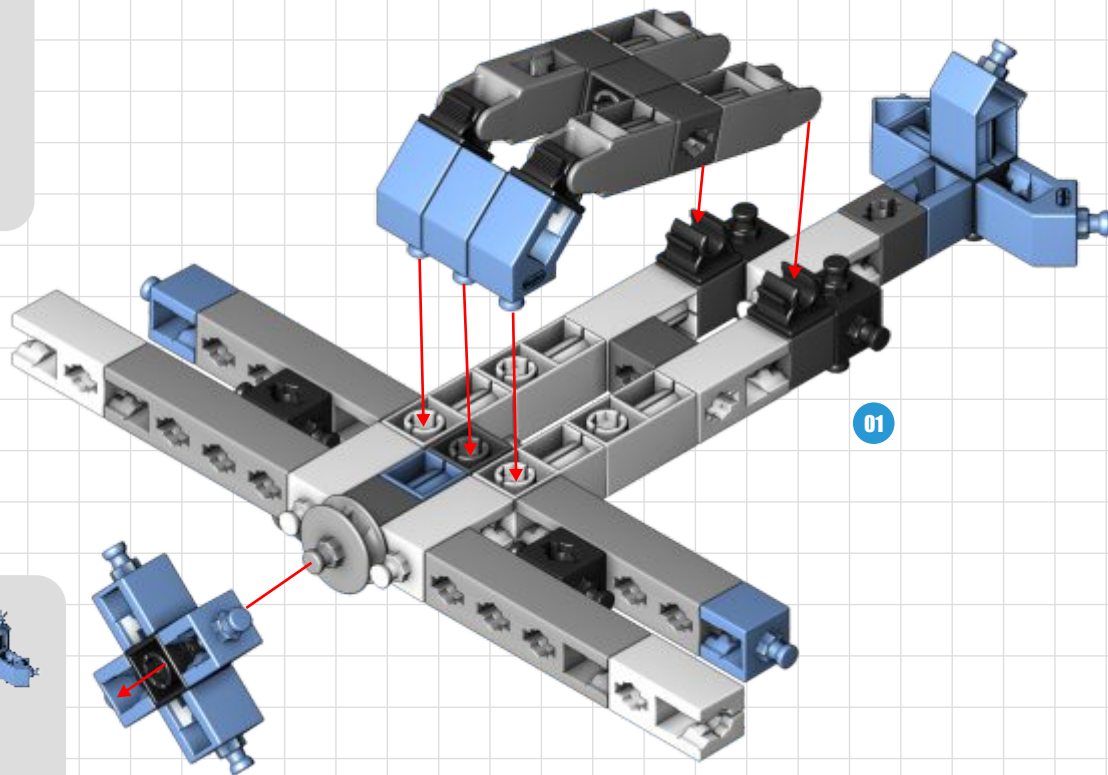
x1



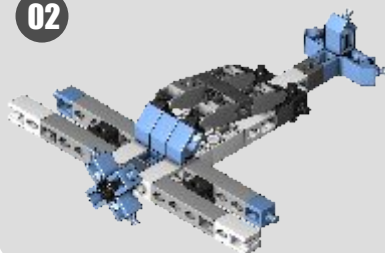
x2



x4



02





x4



x4

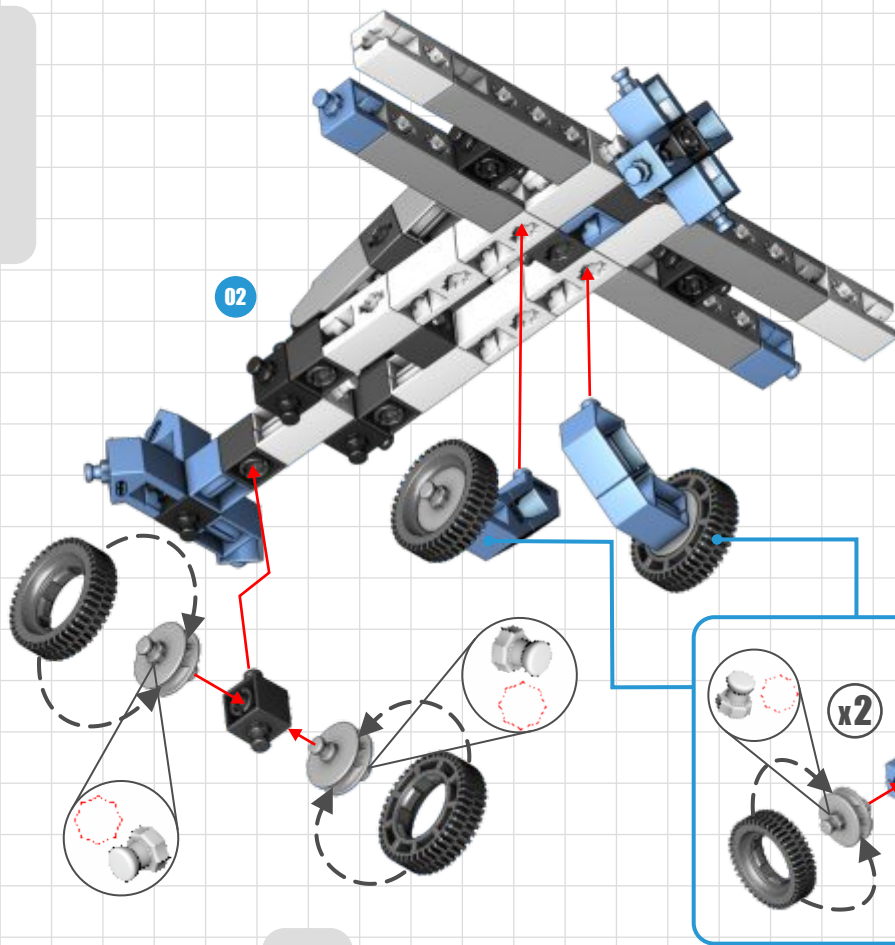


x1

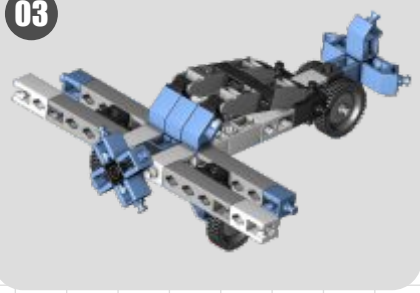


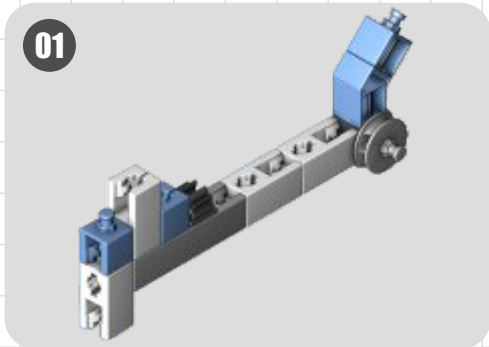
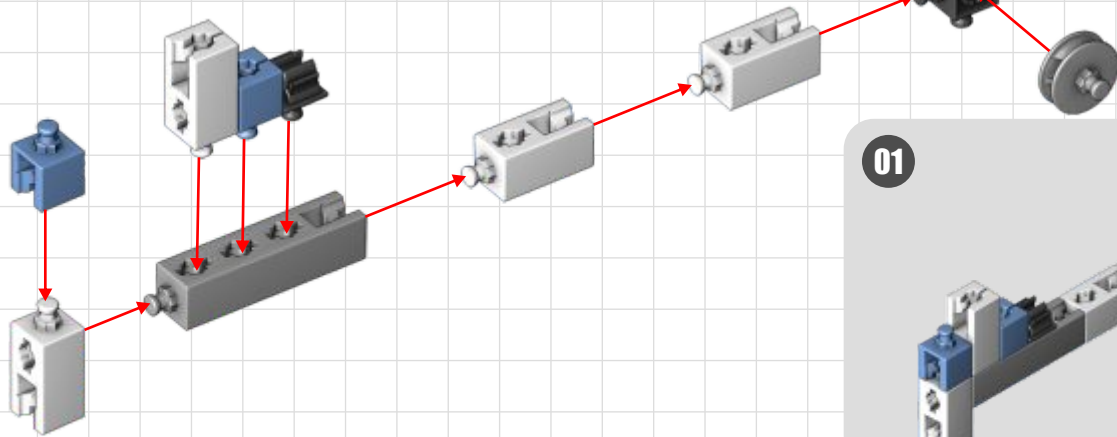
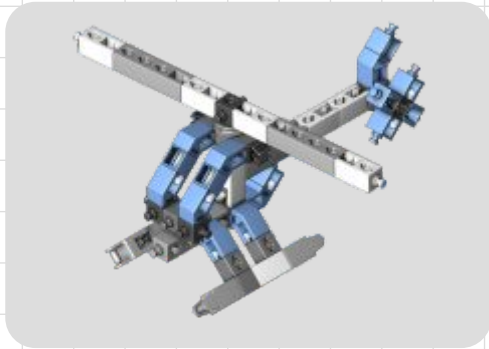
x4

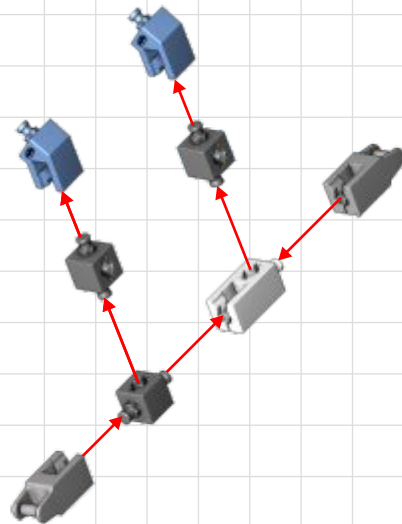
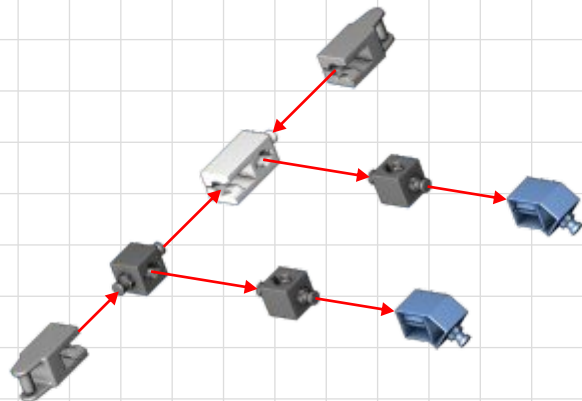
02



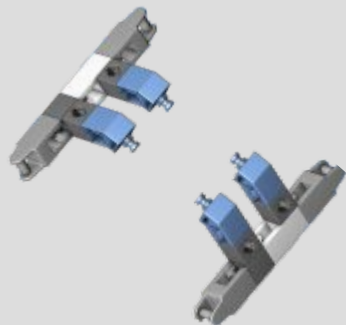
03



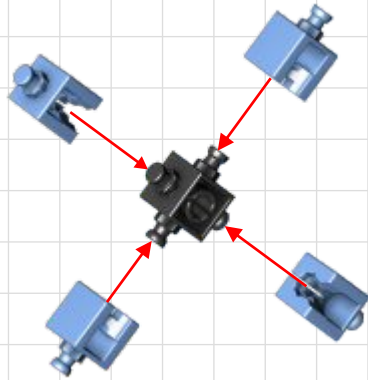
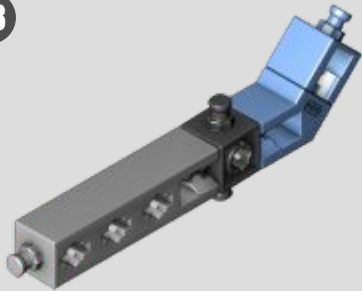




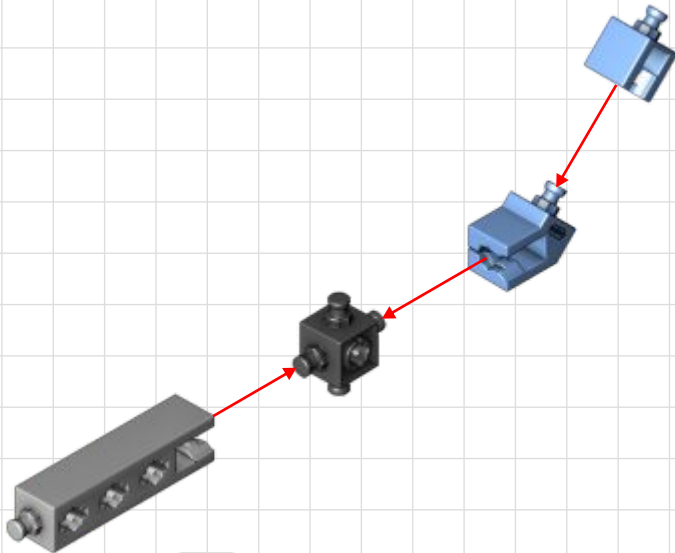
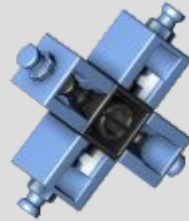
02



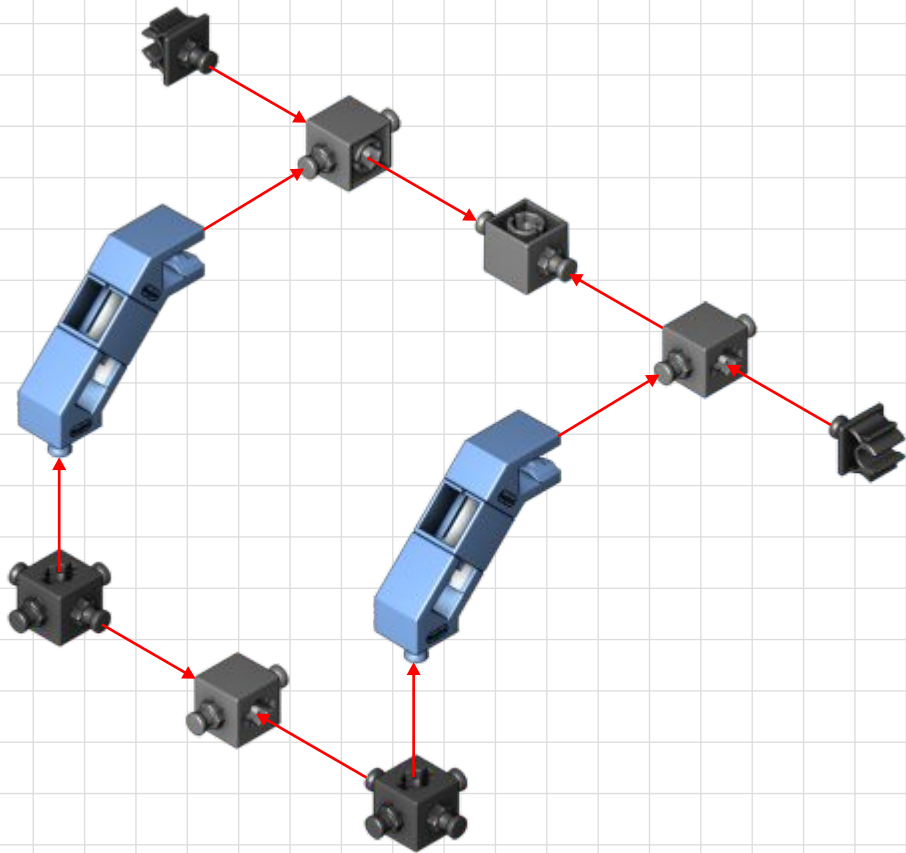
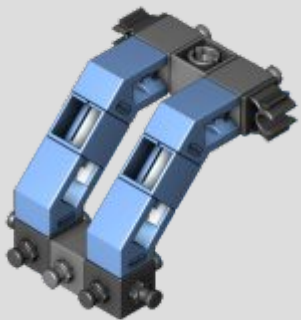
03

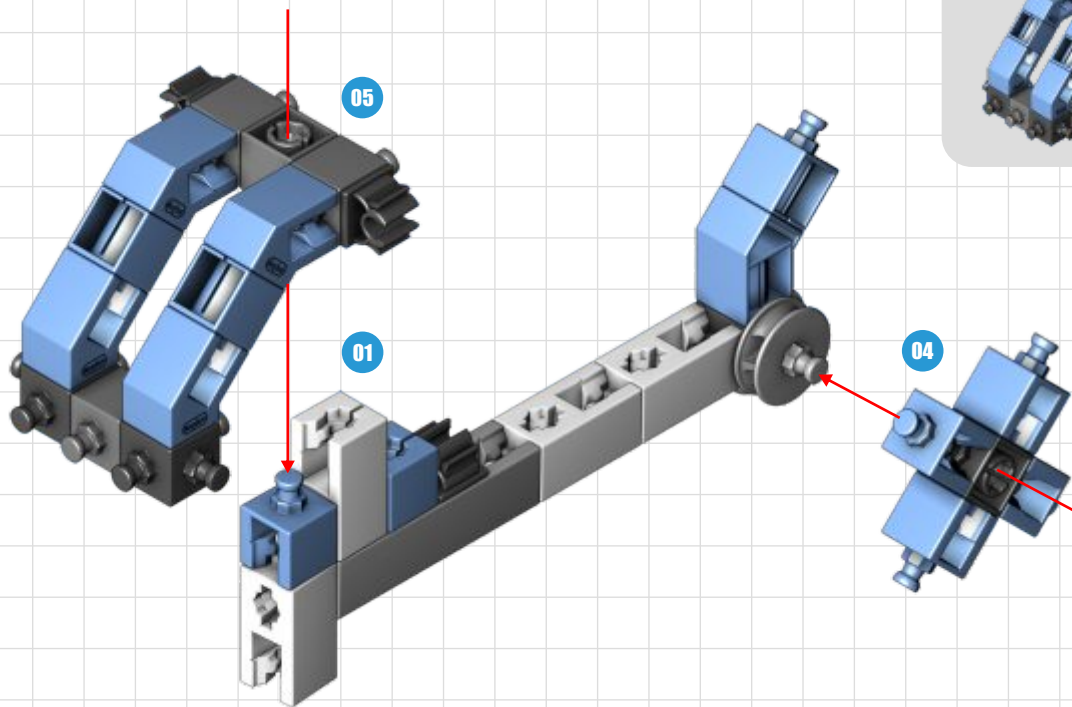


04

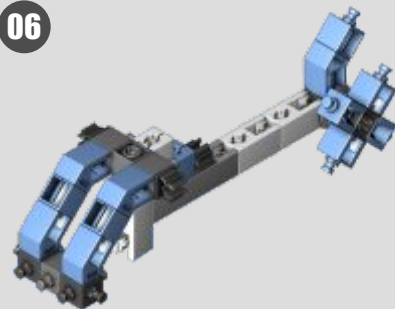


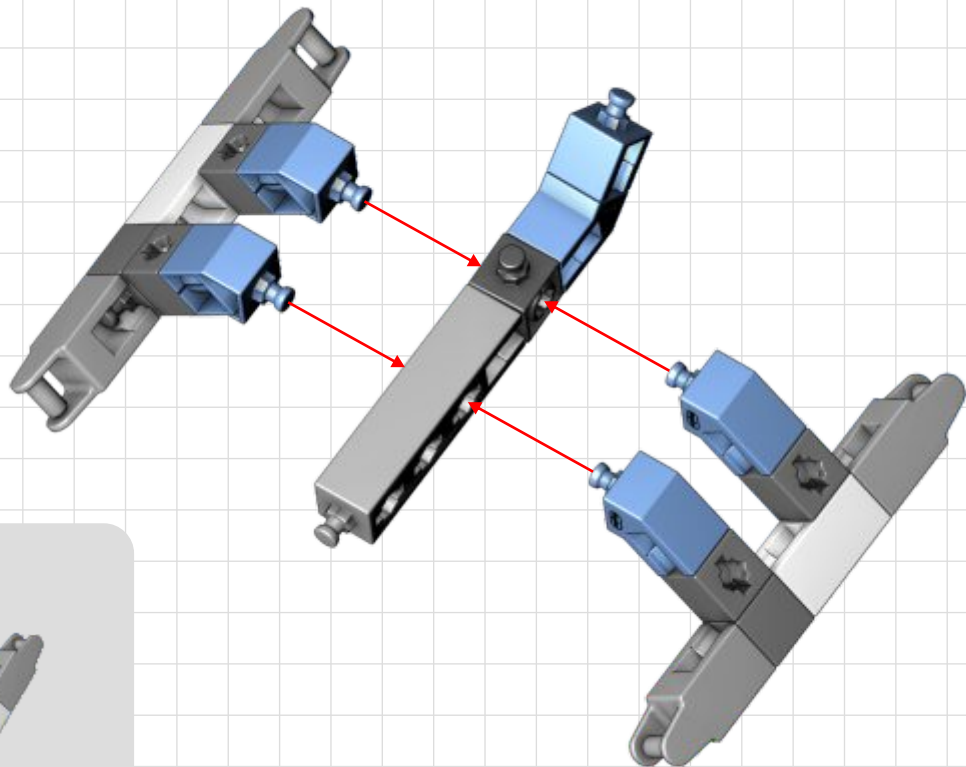
05



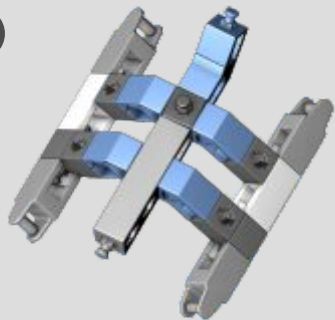


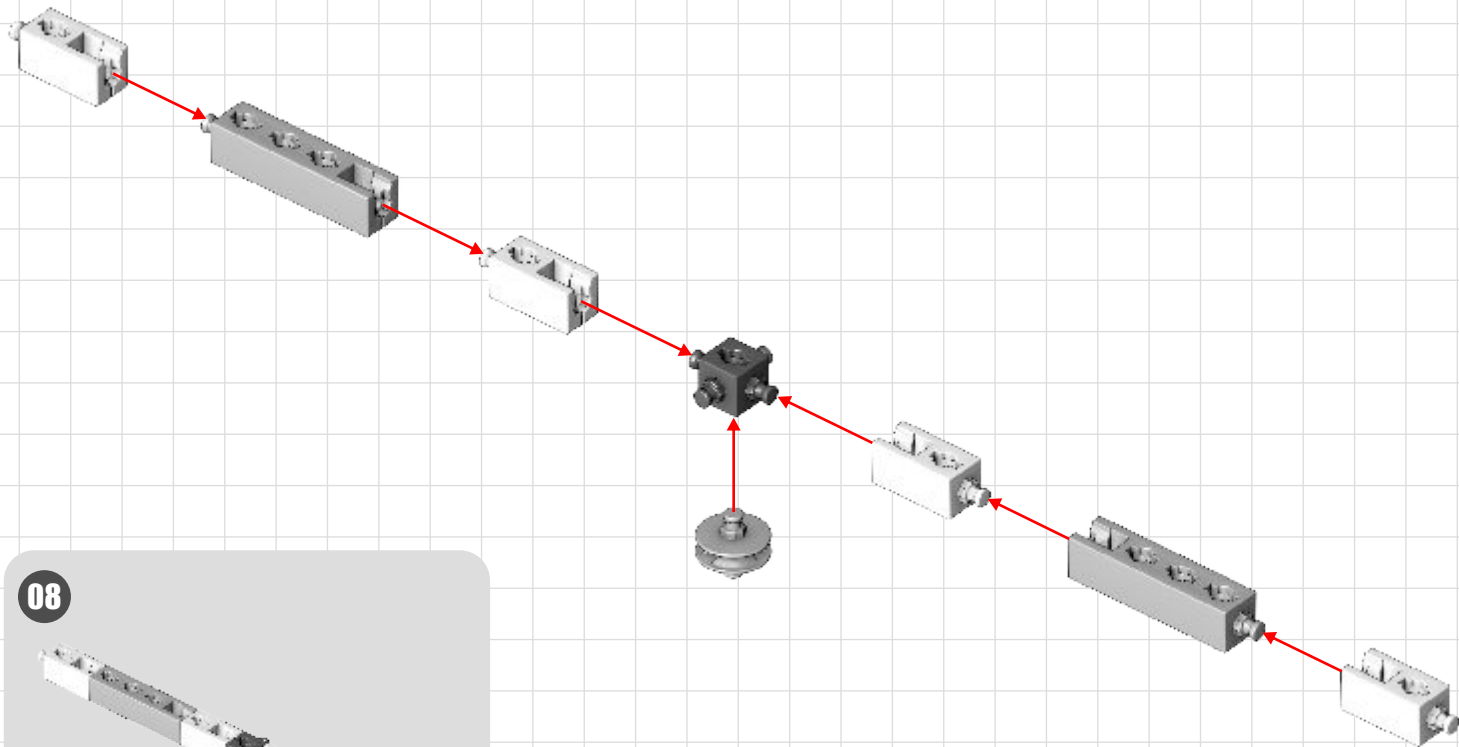
06



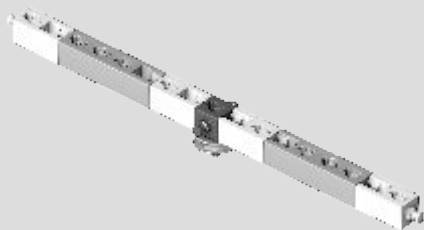


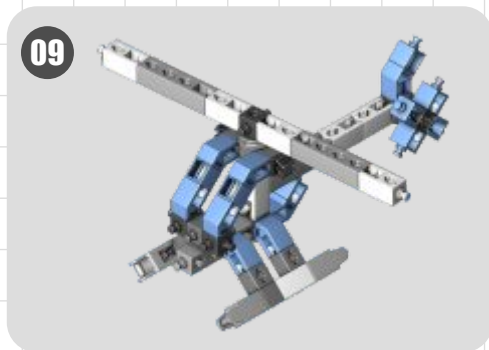
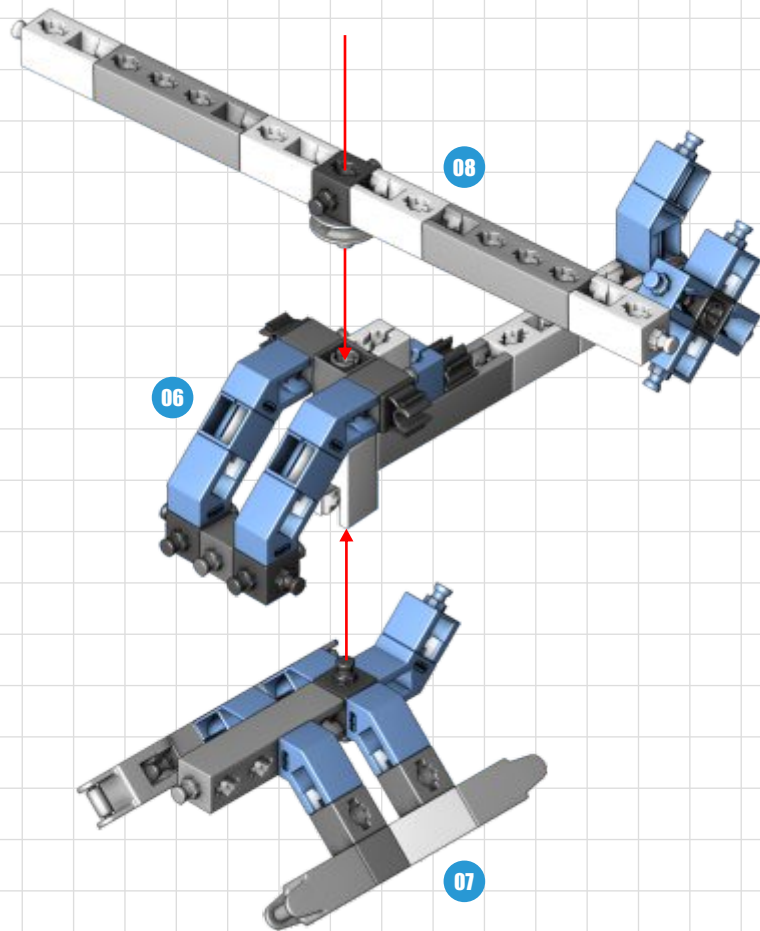
07

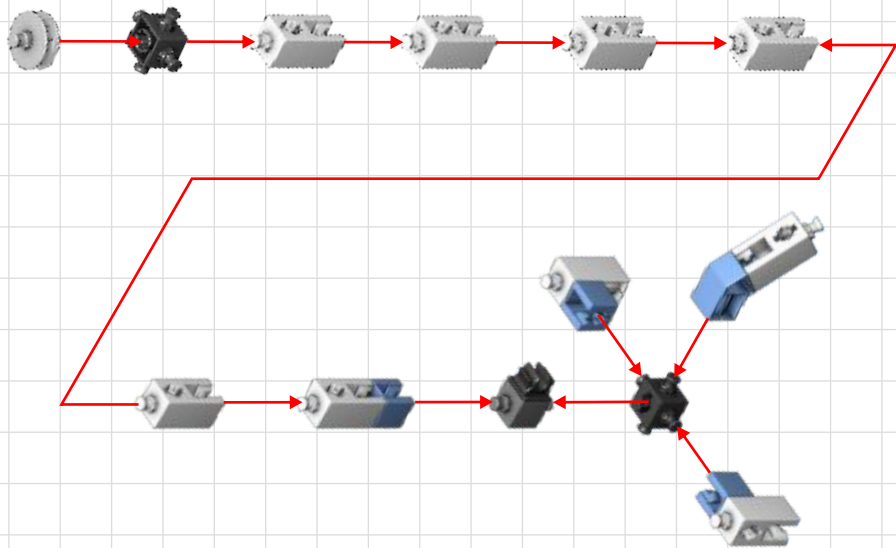
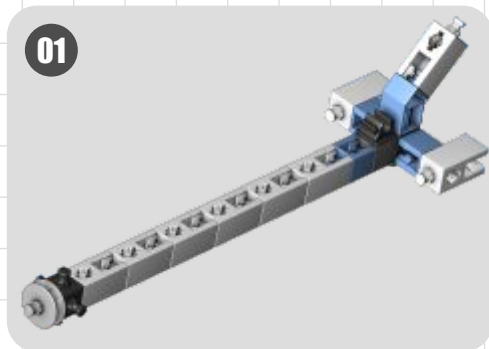




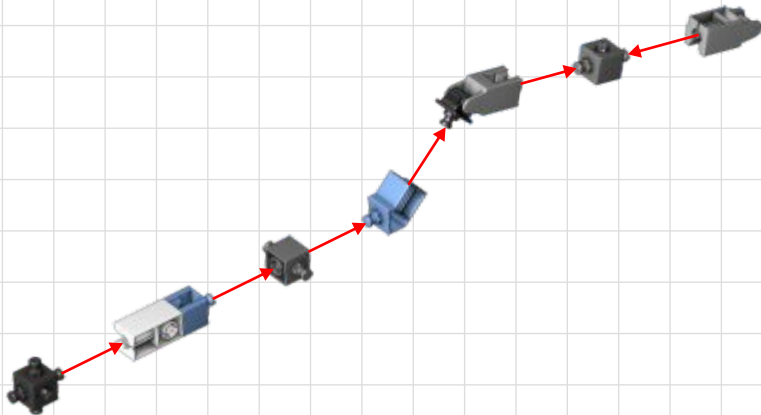
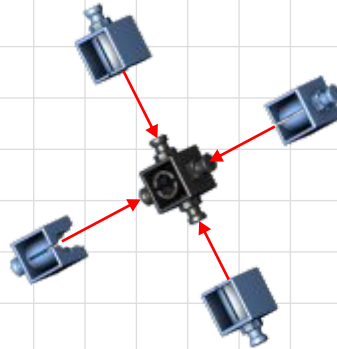
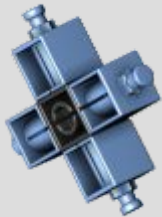
08



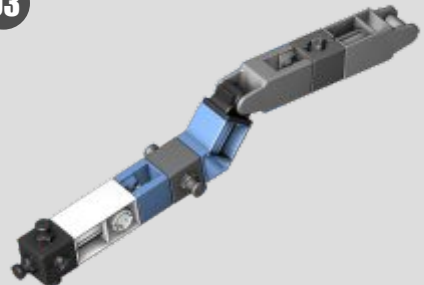


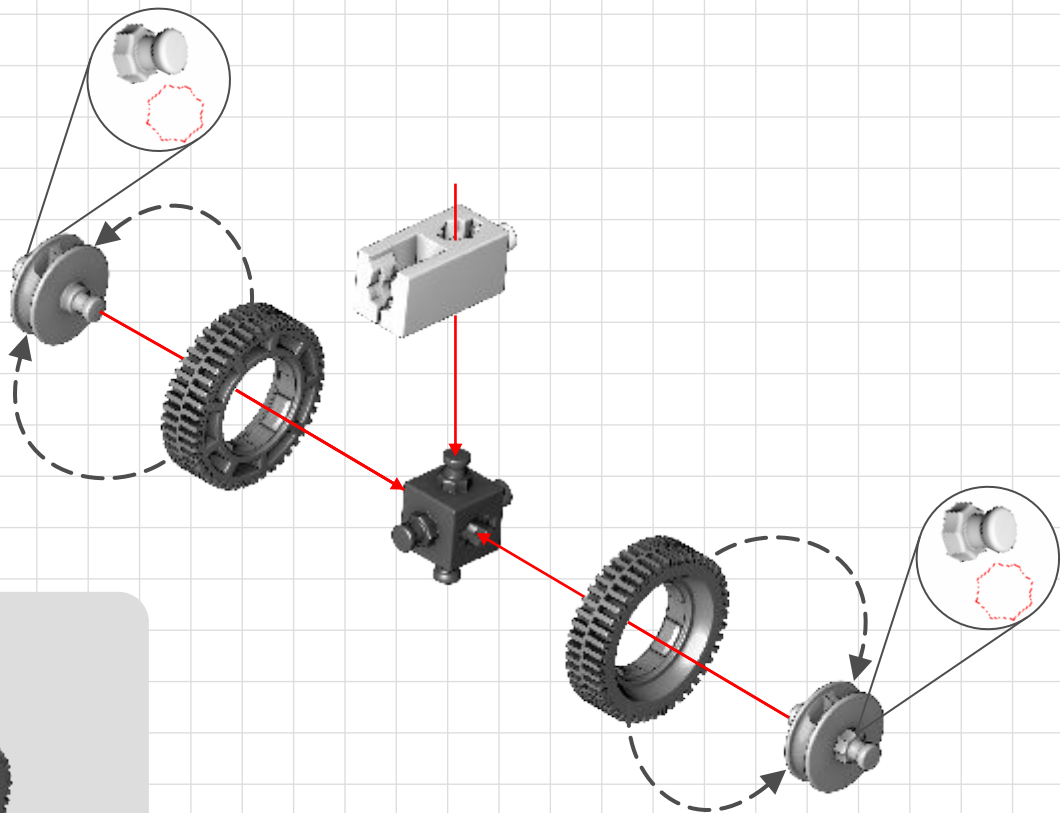


02



03

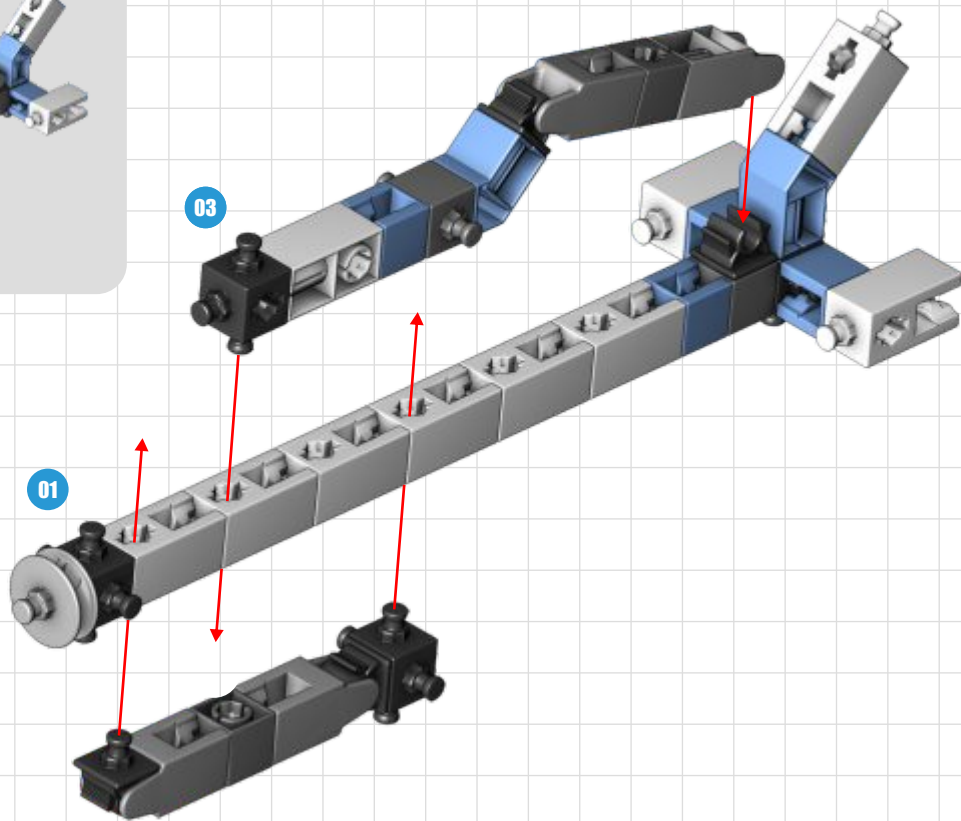
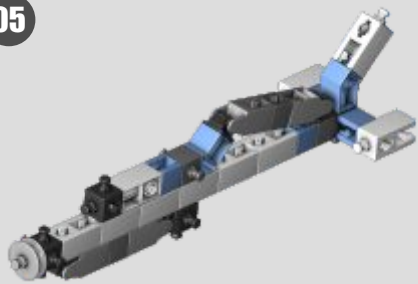




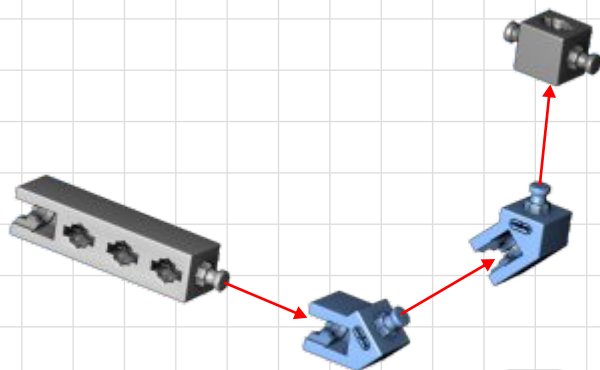
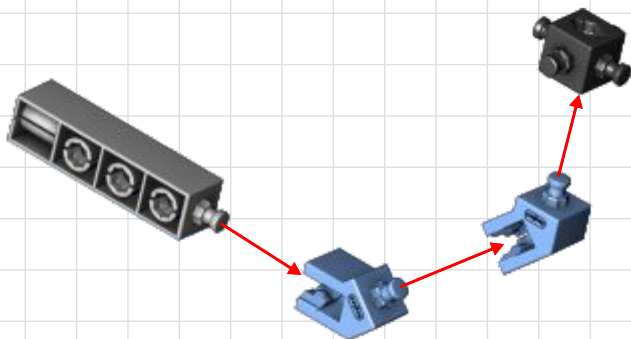
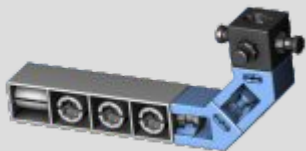
04



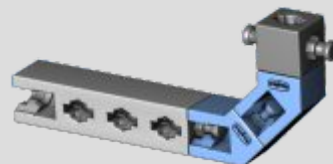
05

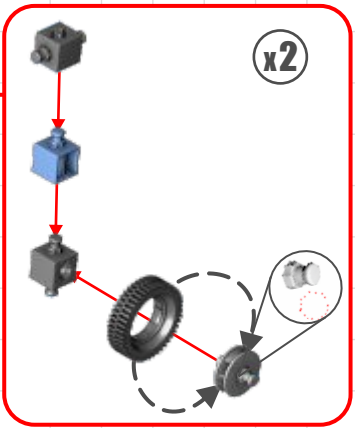
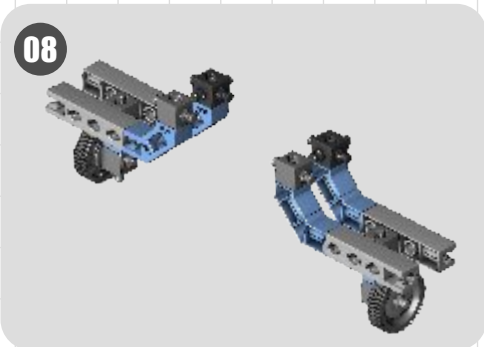
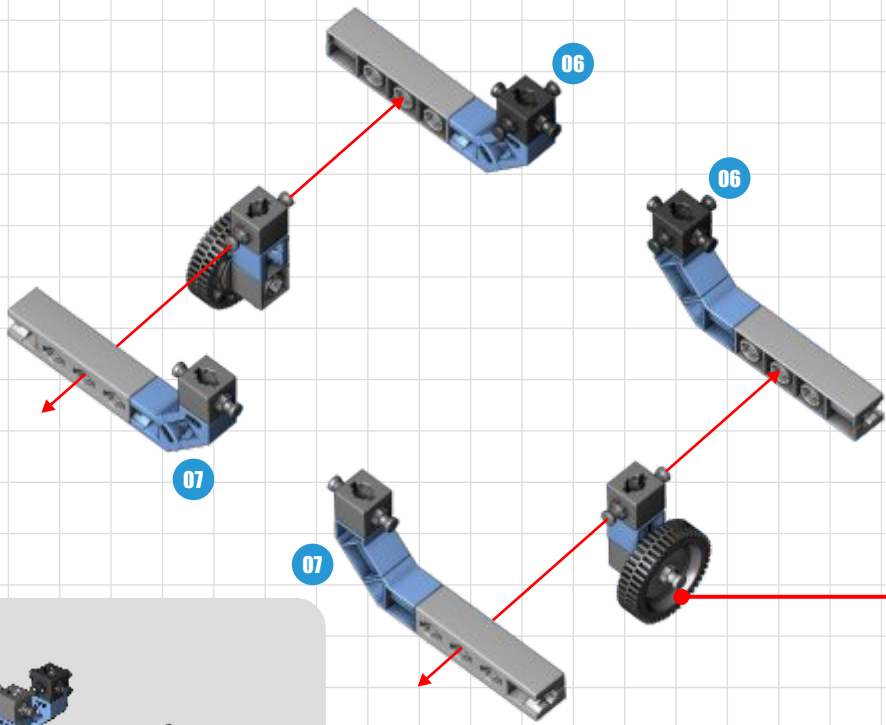


06 x2



07 x2





09

