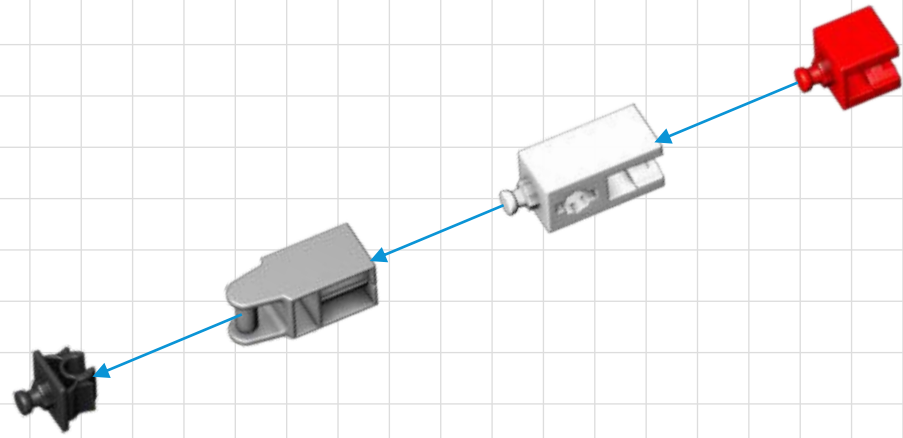
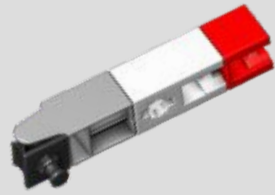
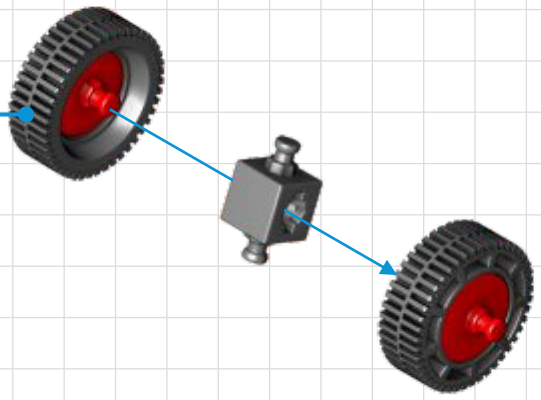
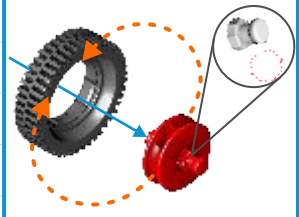


02 x2



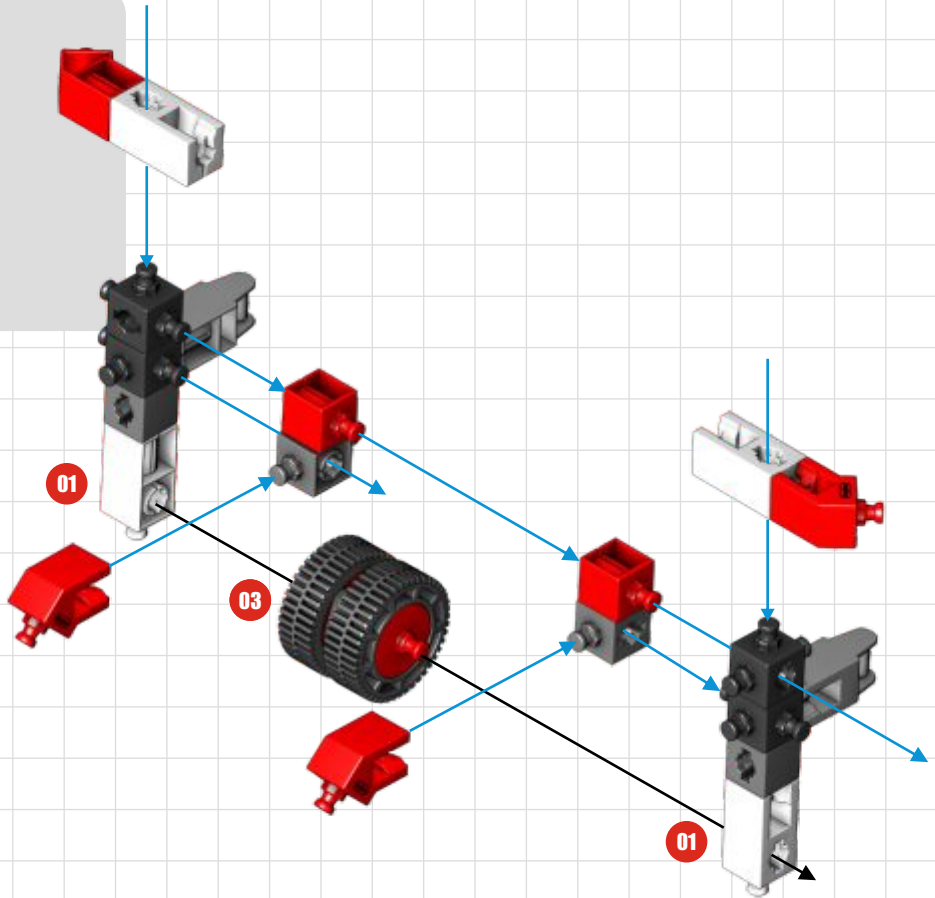
x4



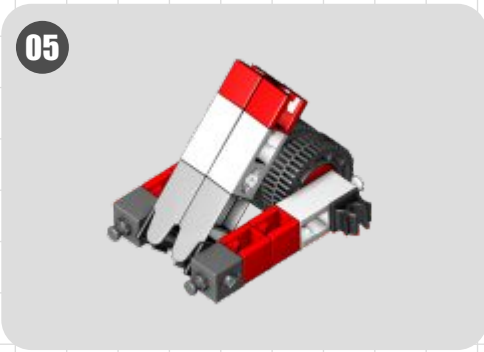
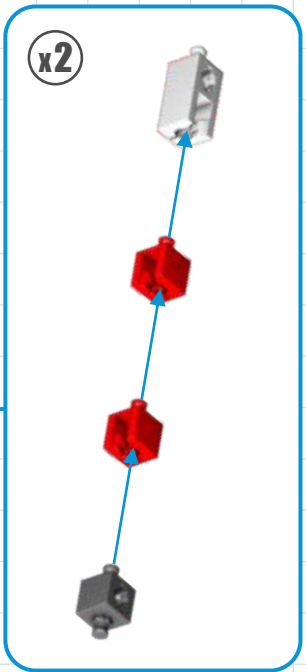
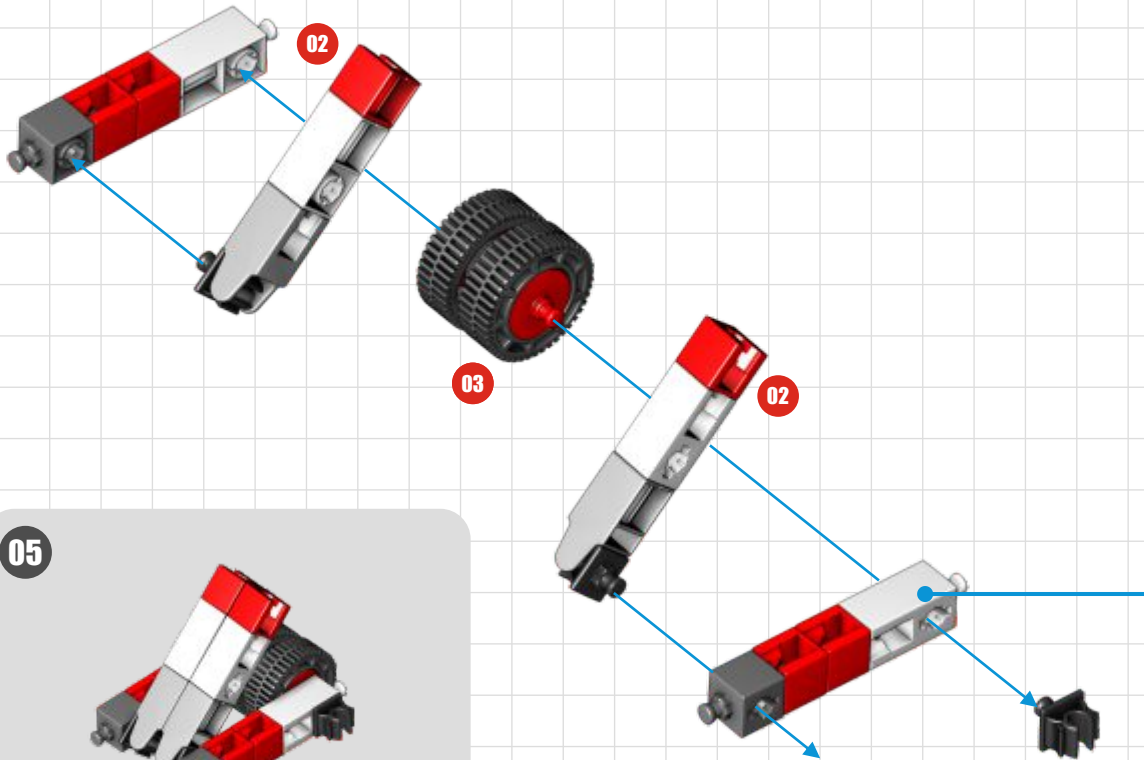
03 x2



04

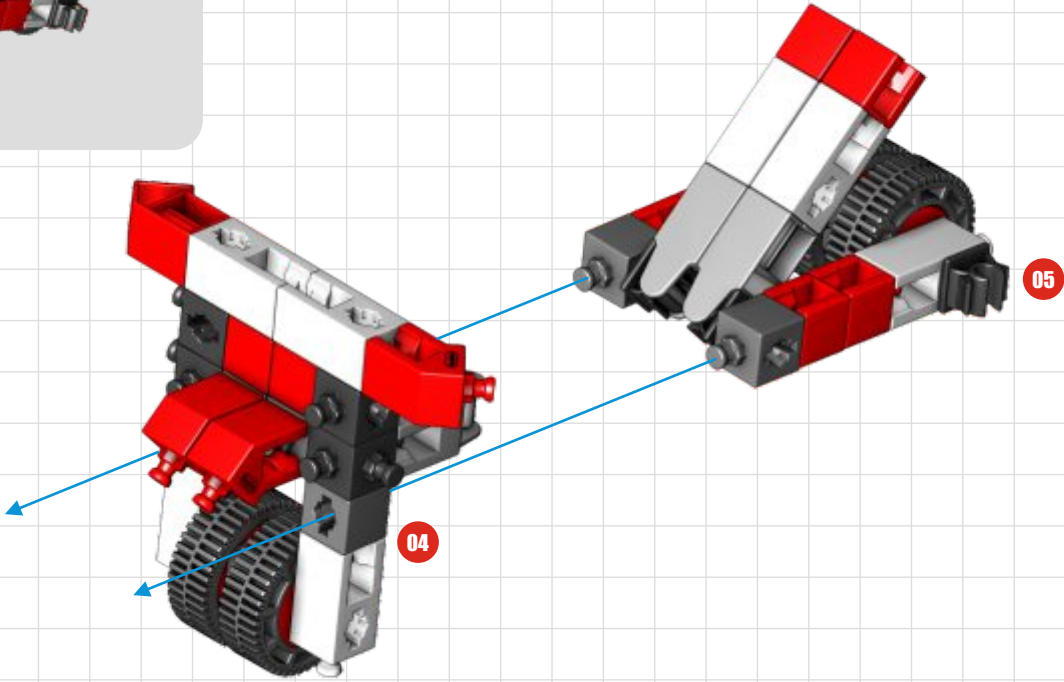


03



04

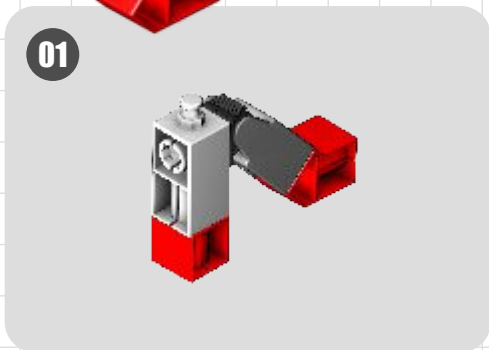
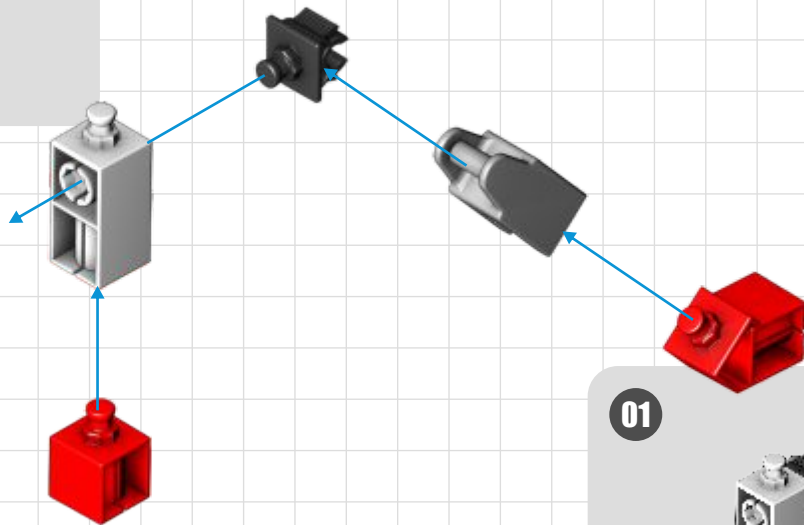
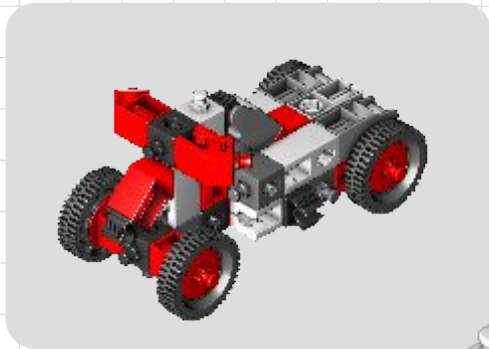
06



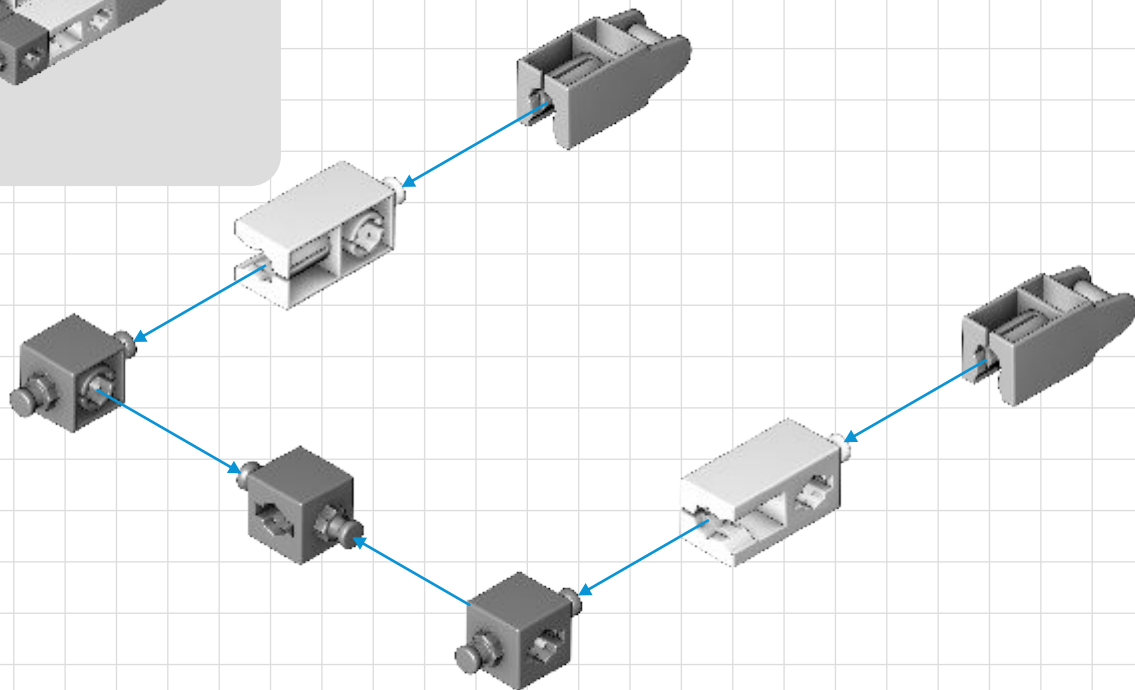
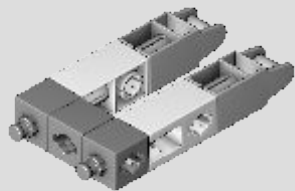
04

05

05

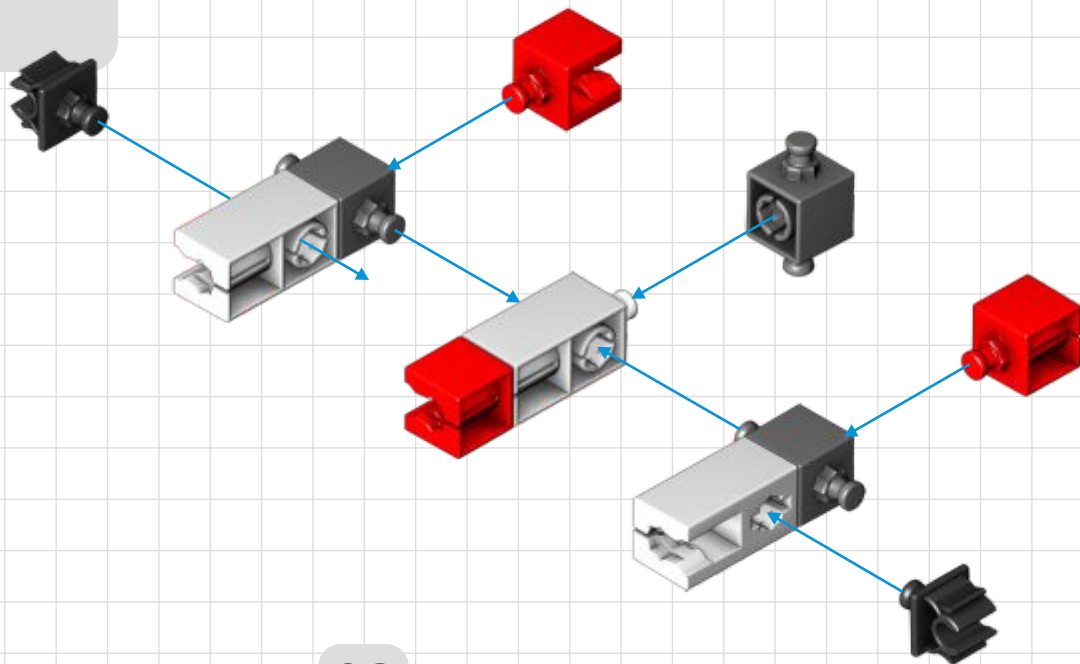
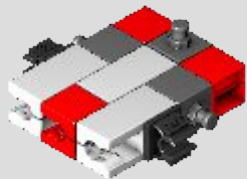


02



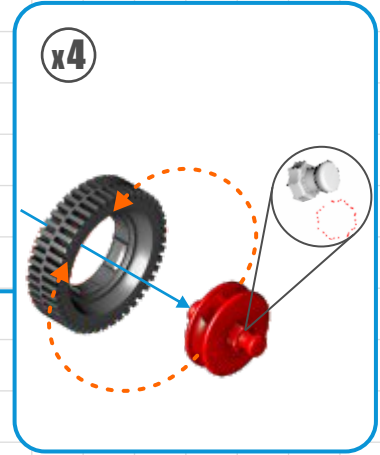
07

03



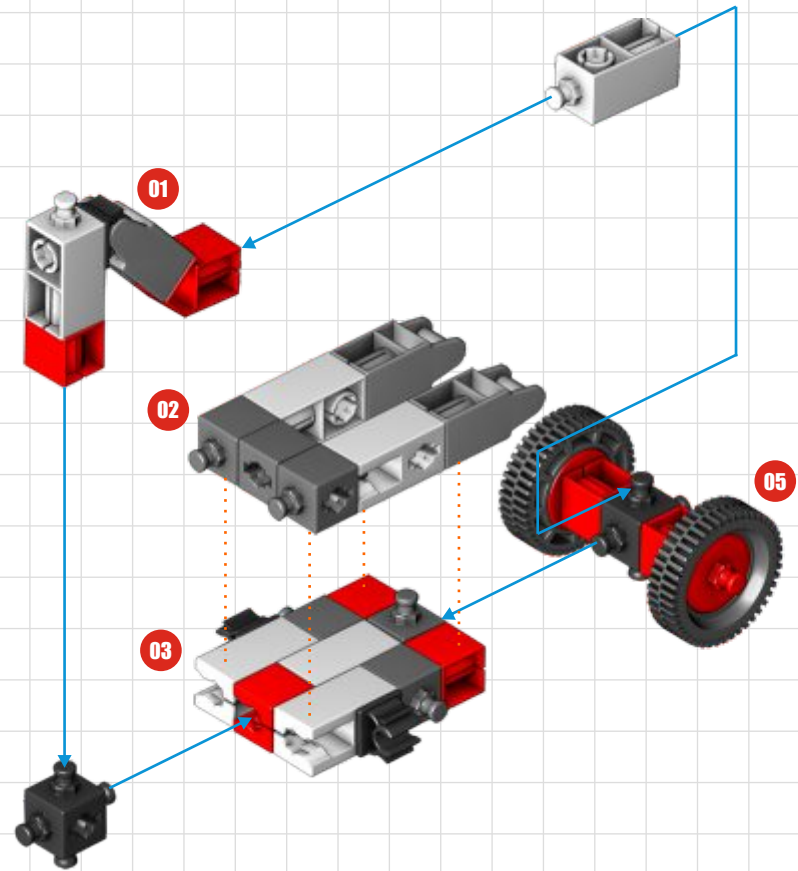
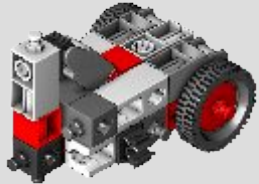
08

05 x2



x4

06





x3



x3



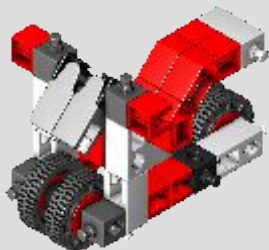
x3



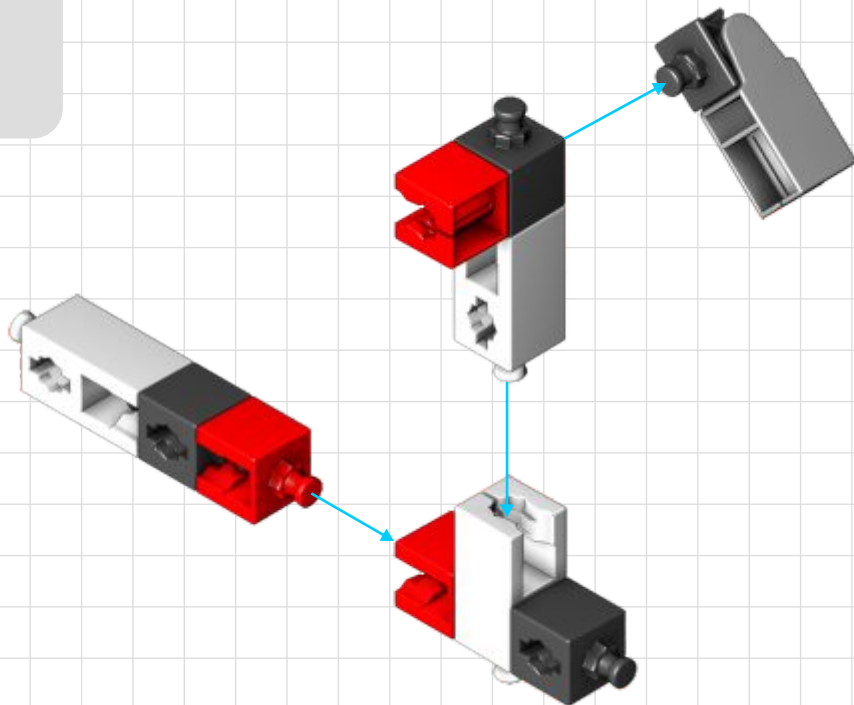
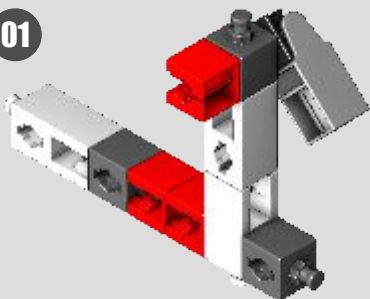
x1



x1



01





x3



x3



x1



x1

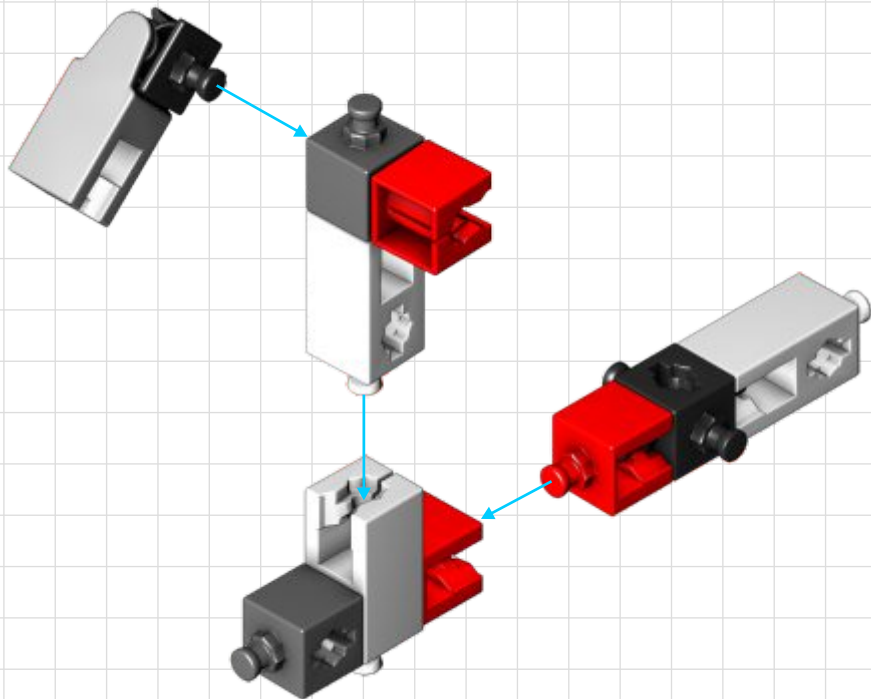
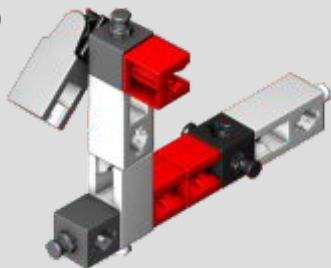


x2



x1

02





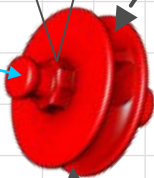
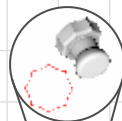
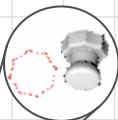
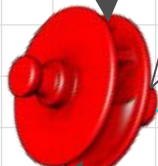
x4



x2



x4



03



x2



x1



x1



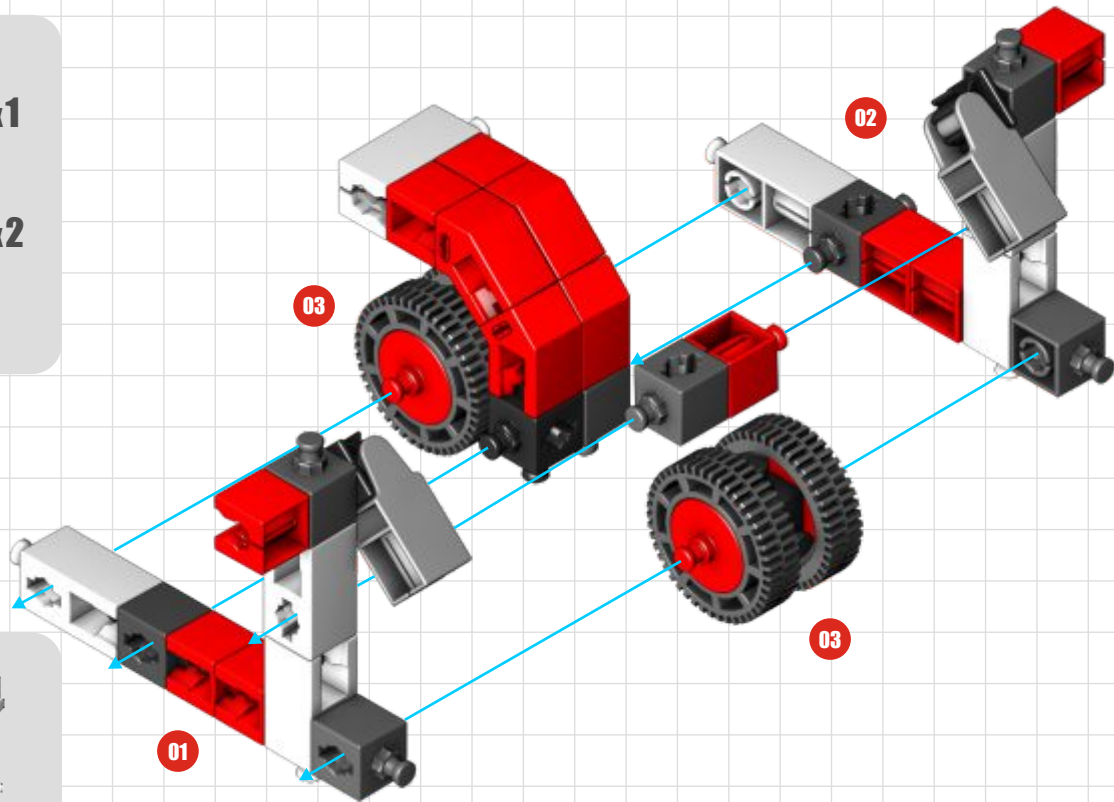
x4



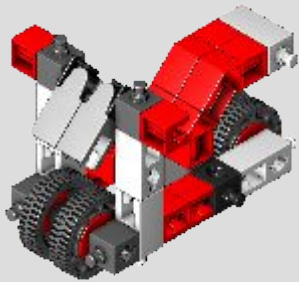
x2

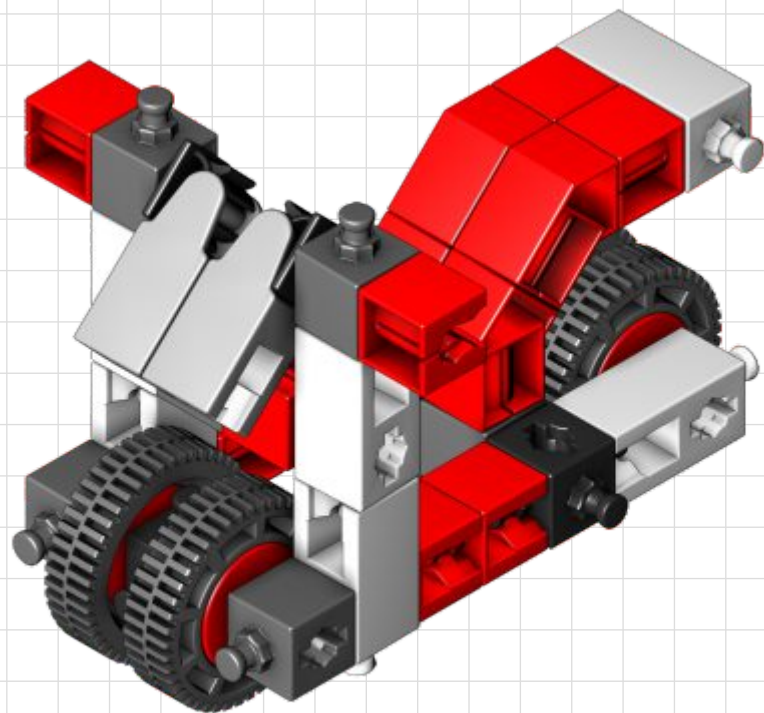


x3



04







x4



x2



x5



x4



x4



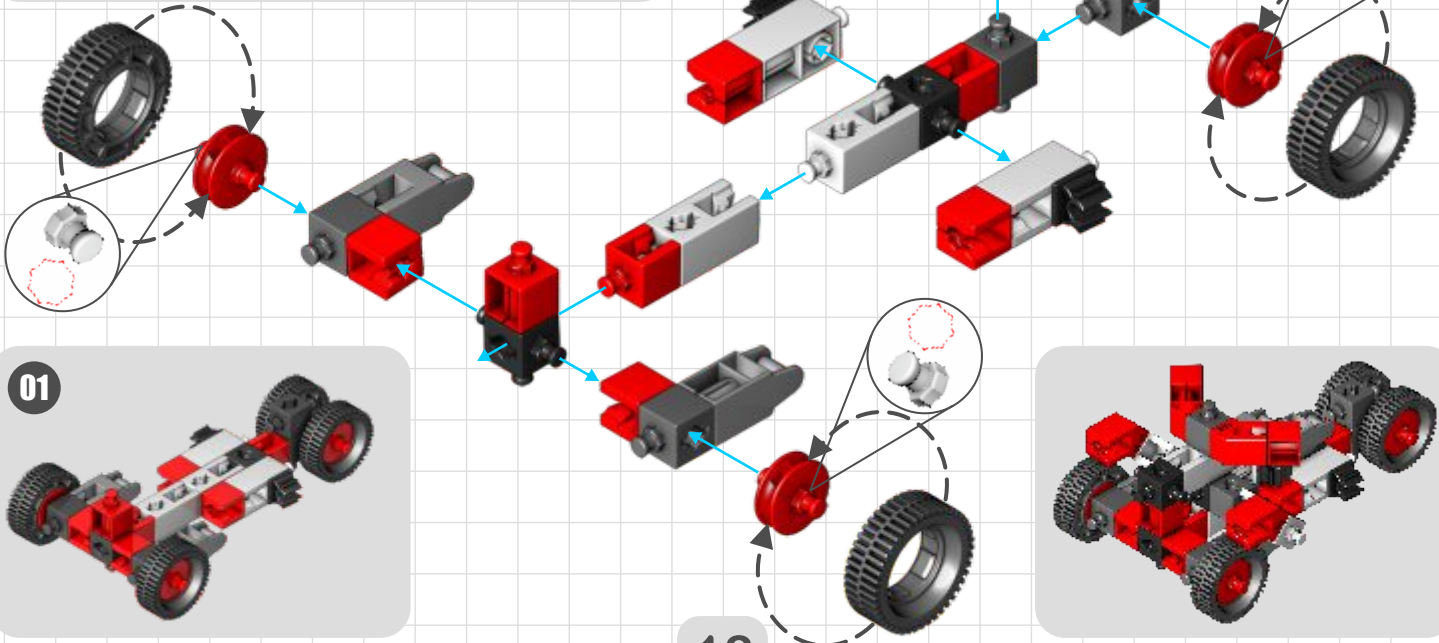
x2



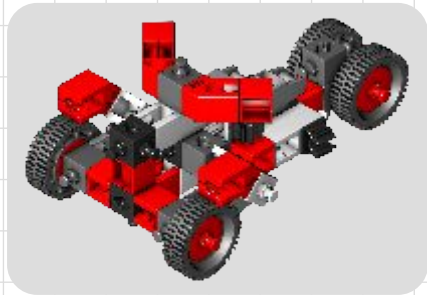
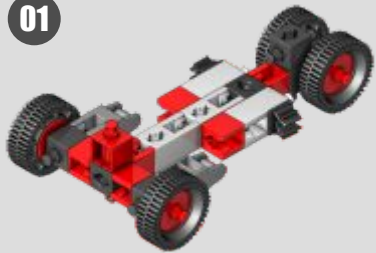
x7



x2



01





x3



x1



x2



x2

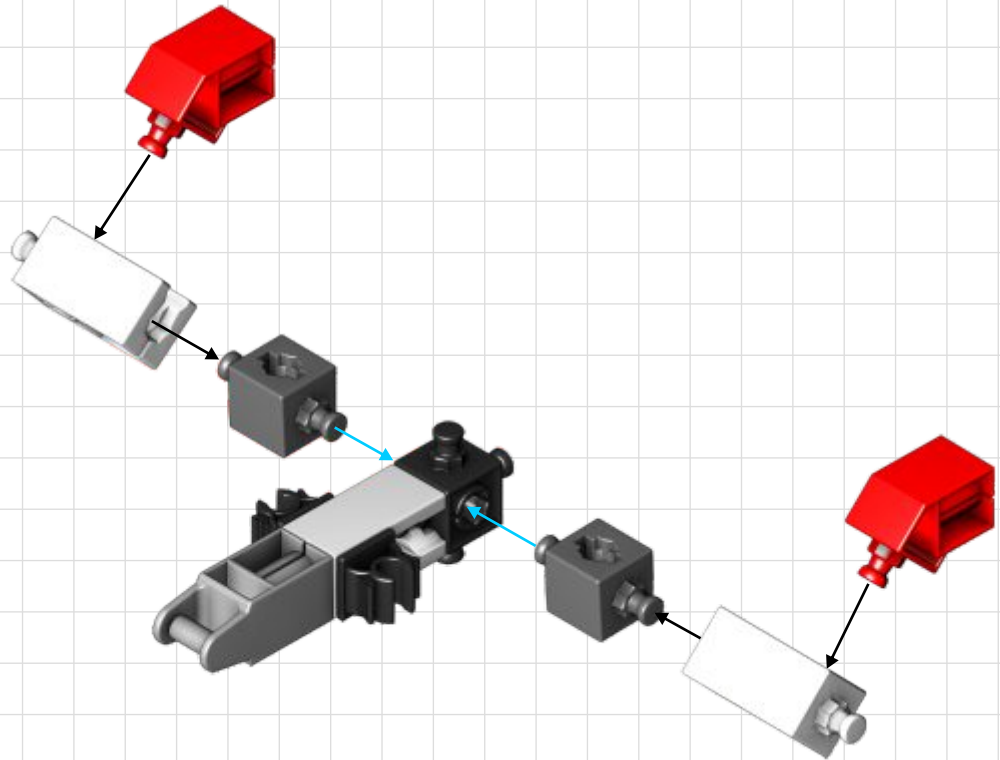
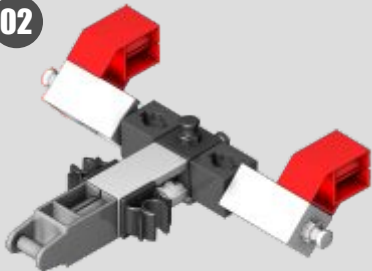


x1



x2

02





x2



x1



x1



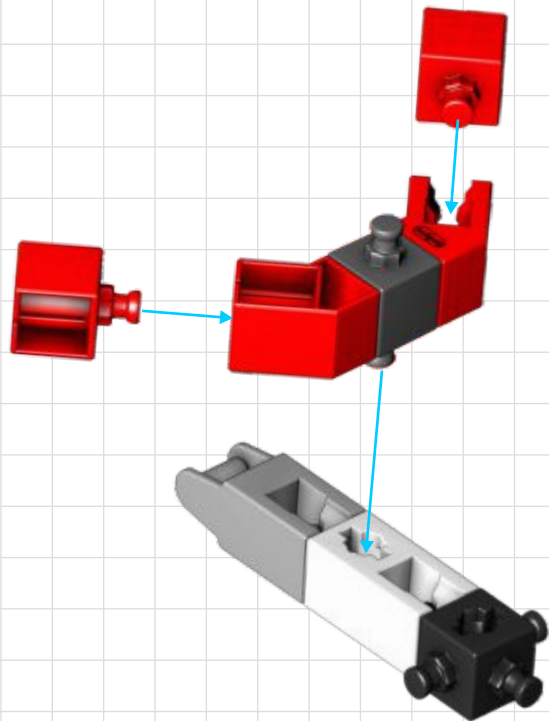
x2



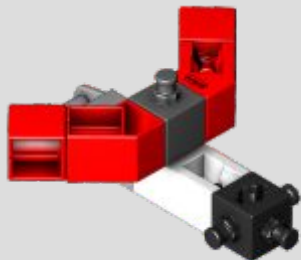
x1

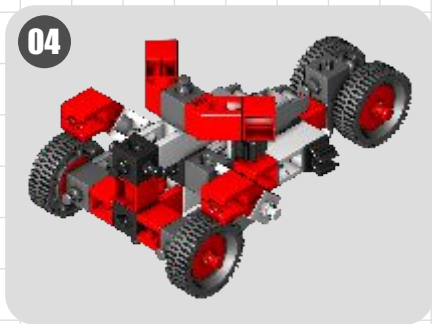
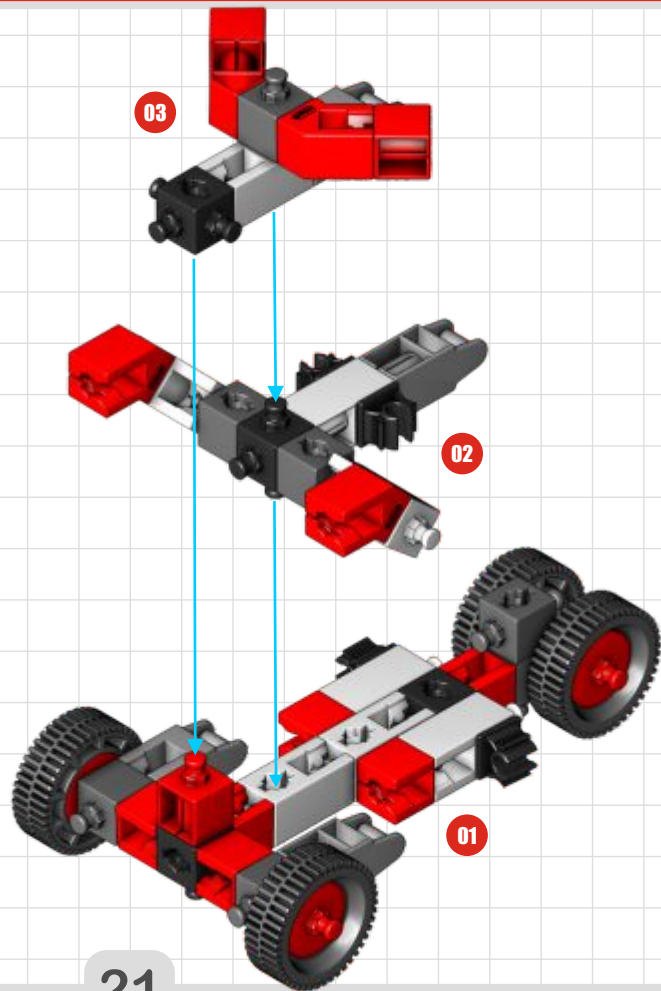


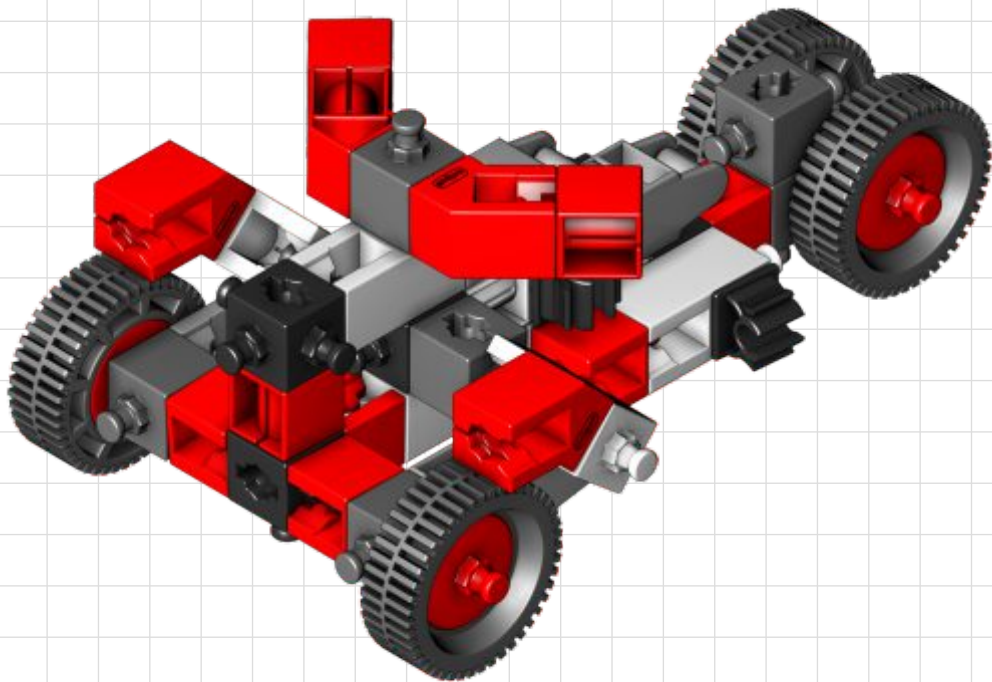
x1

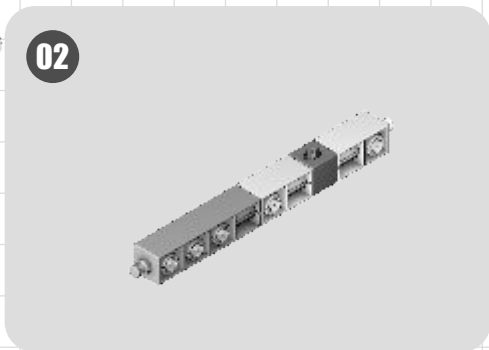
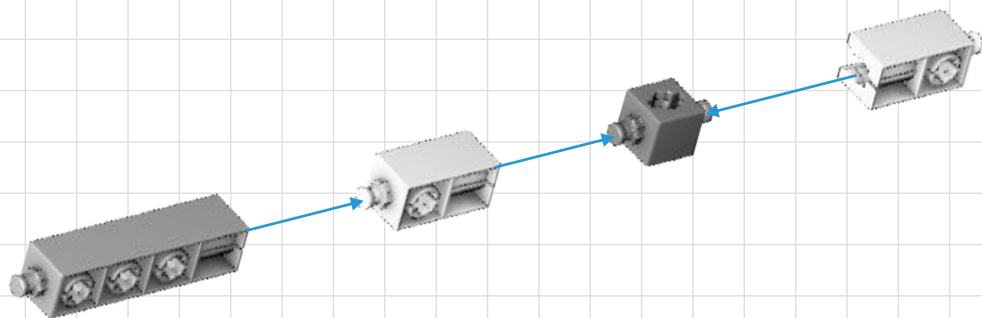
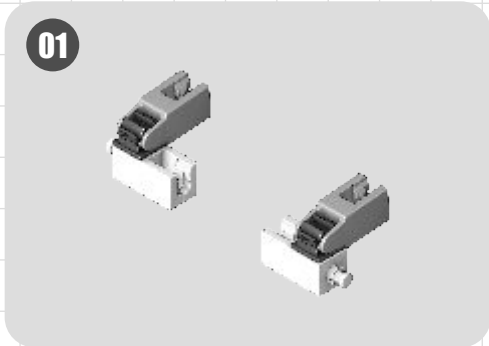
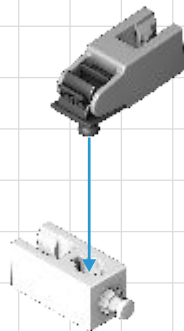
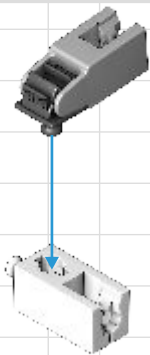
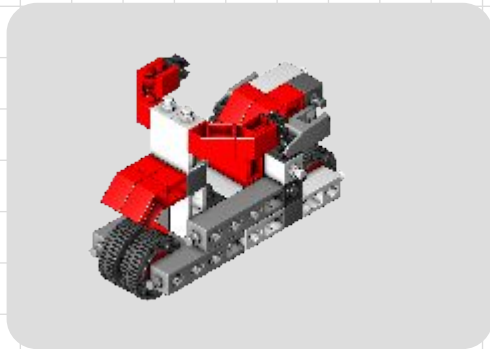


03

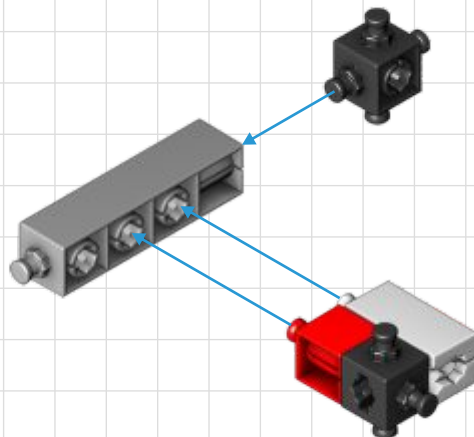
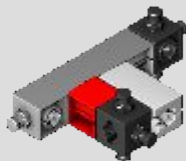




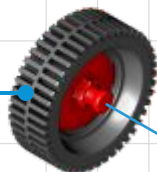
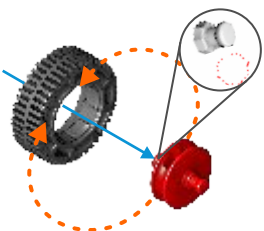




05



x4

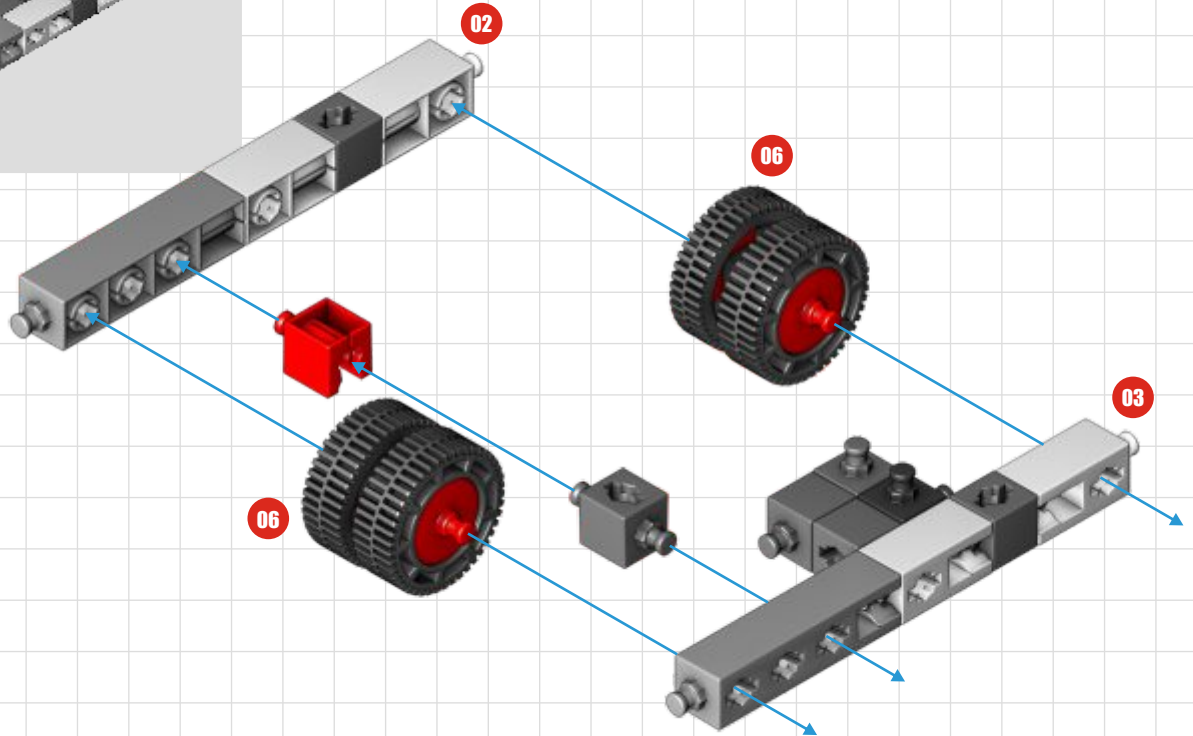
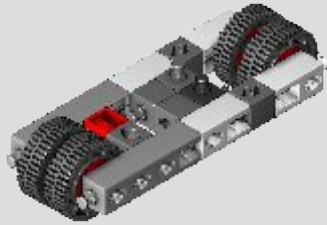


06

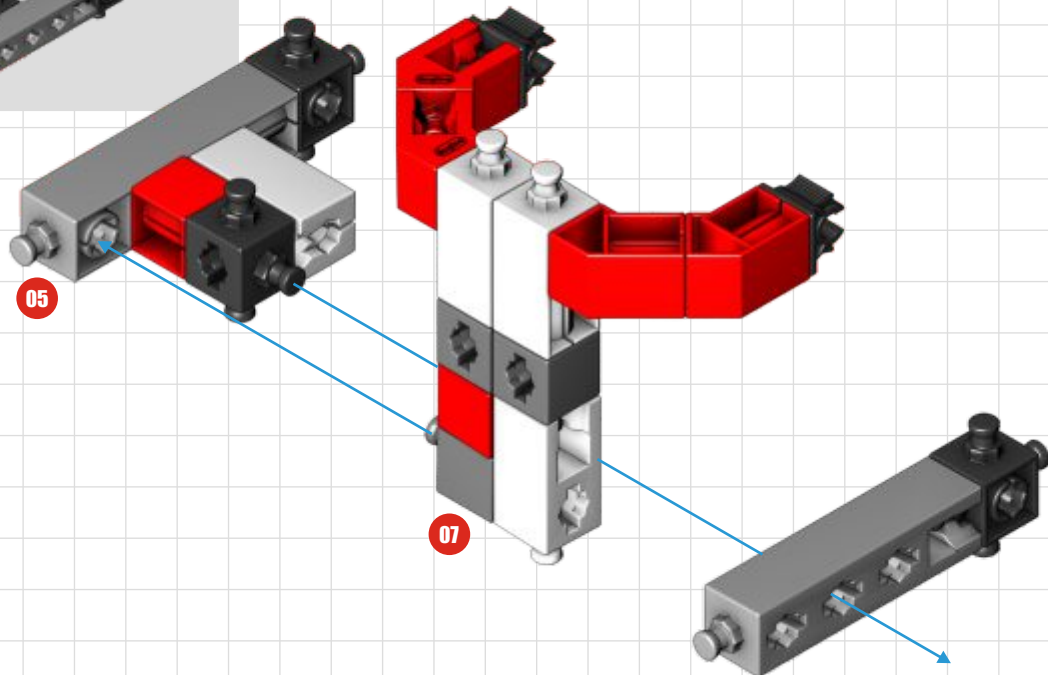
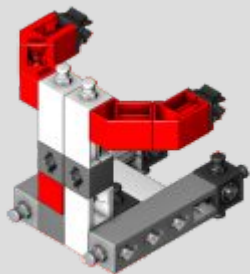
x2



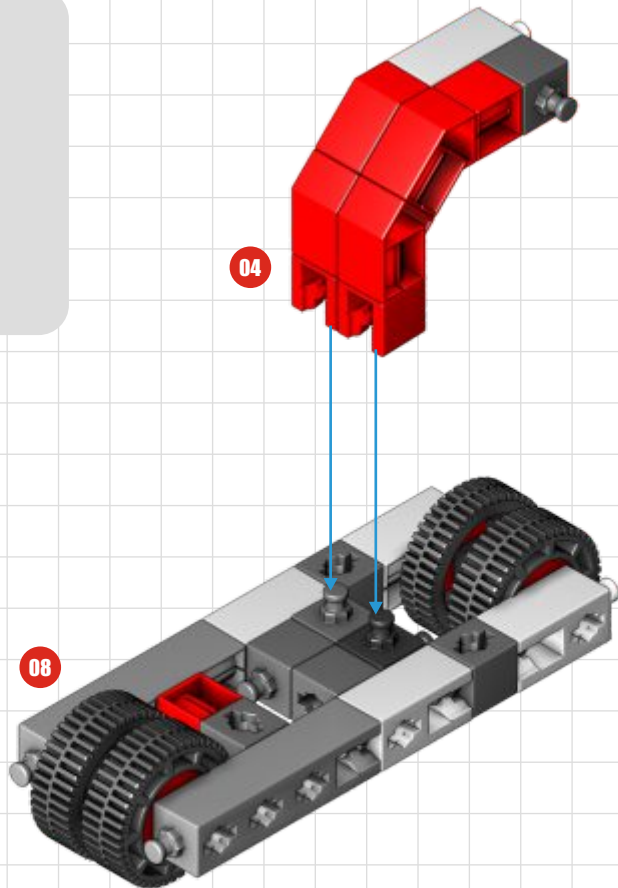
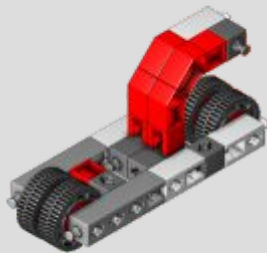
08



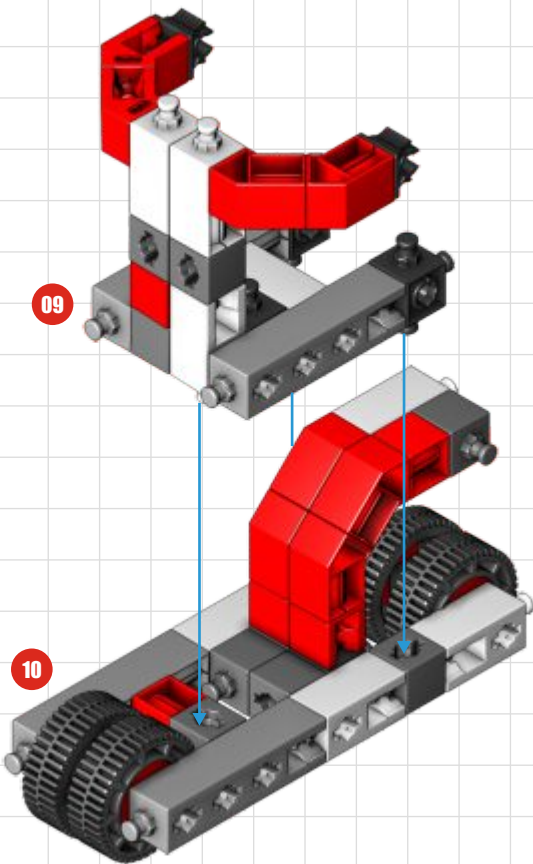
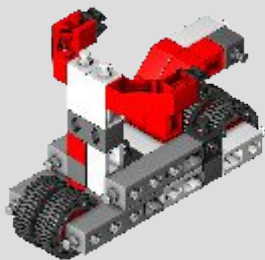
09



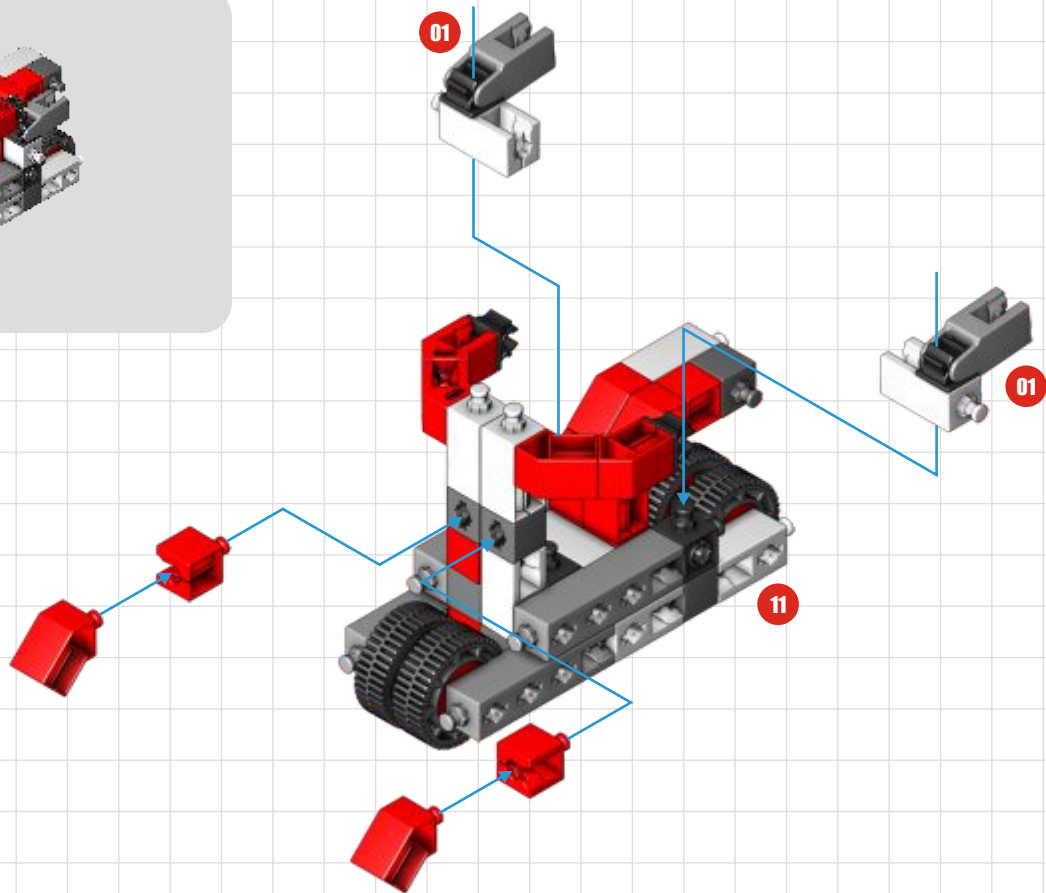
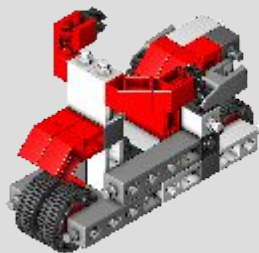
10



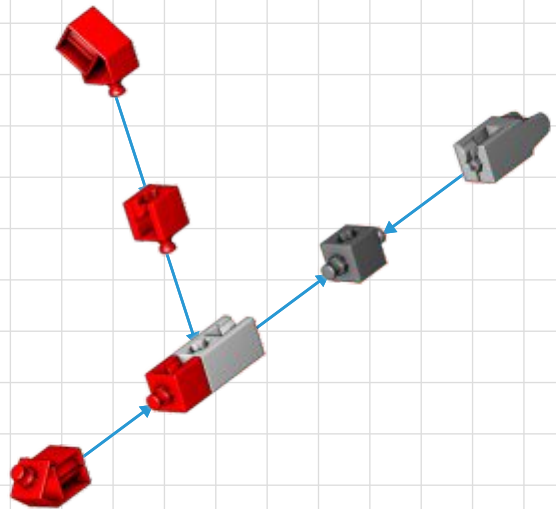
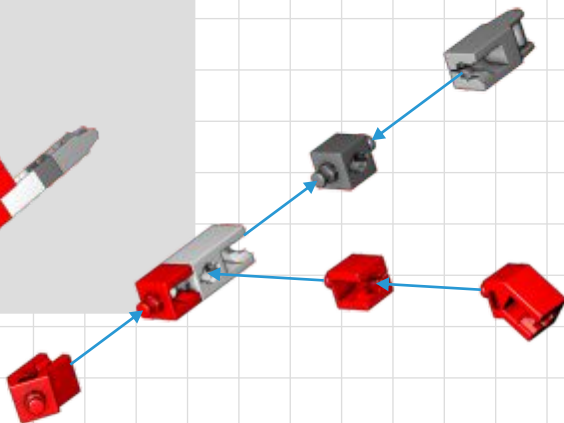
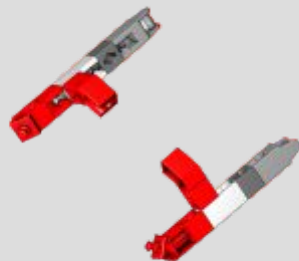
11



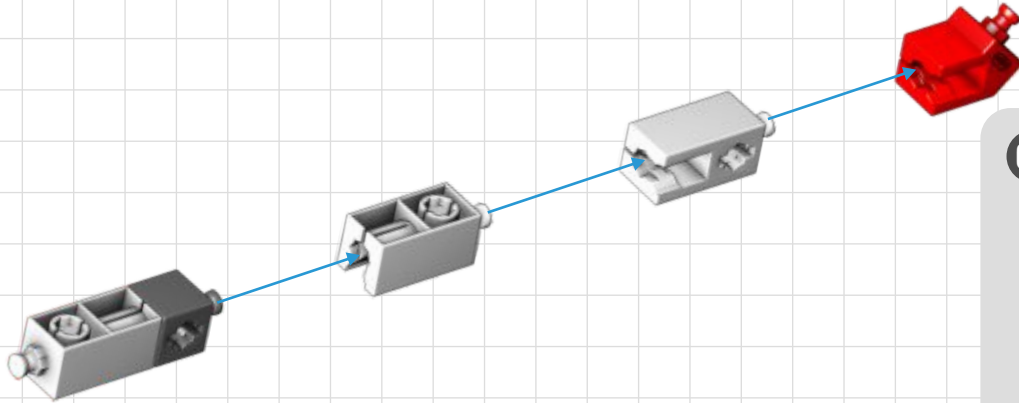
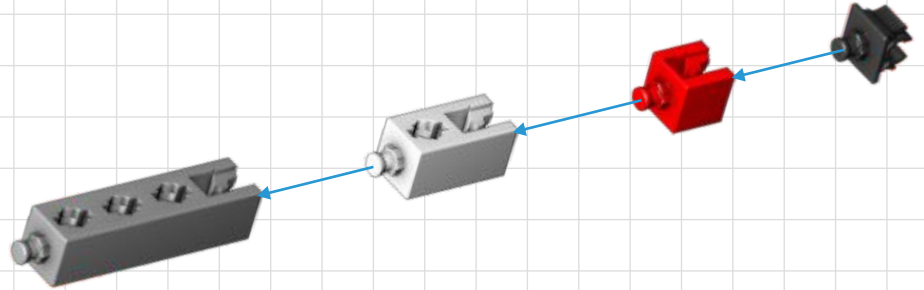
12



02



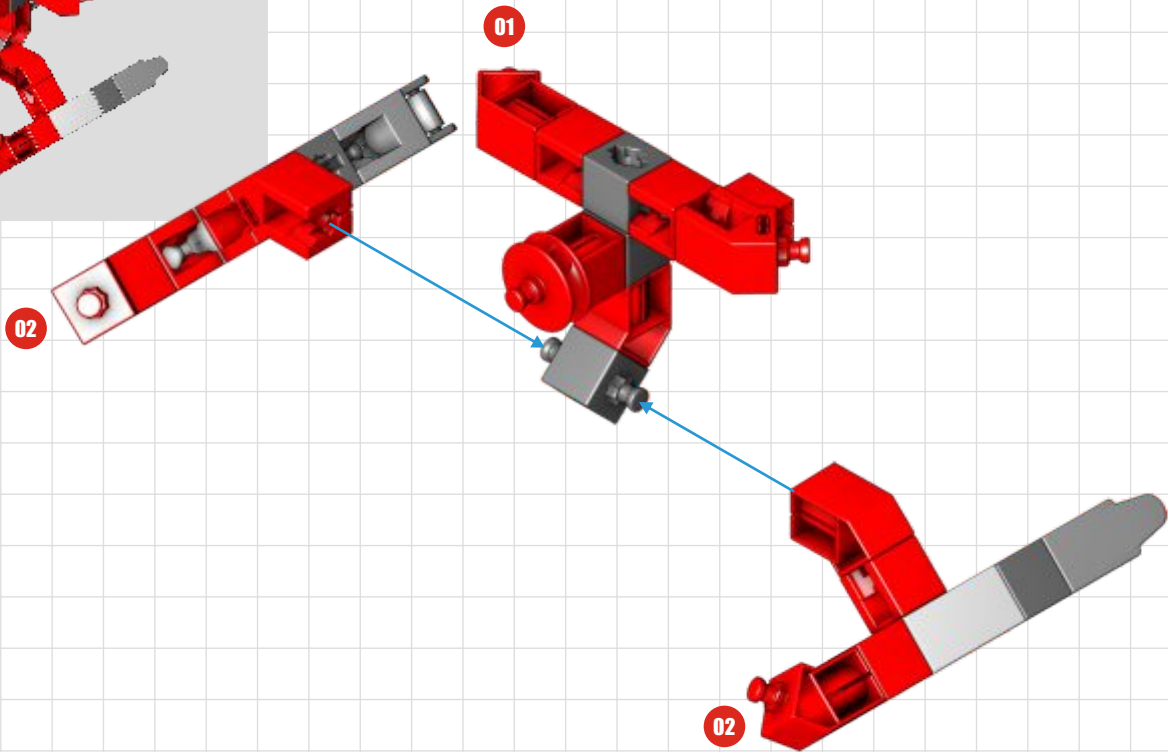
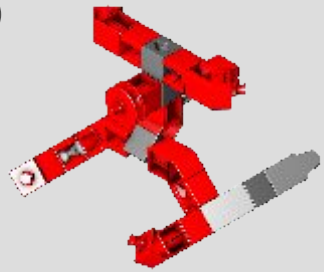
03 x3



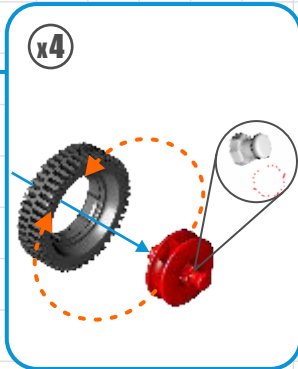
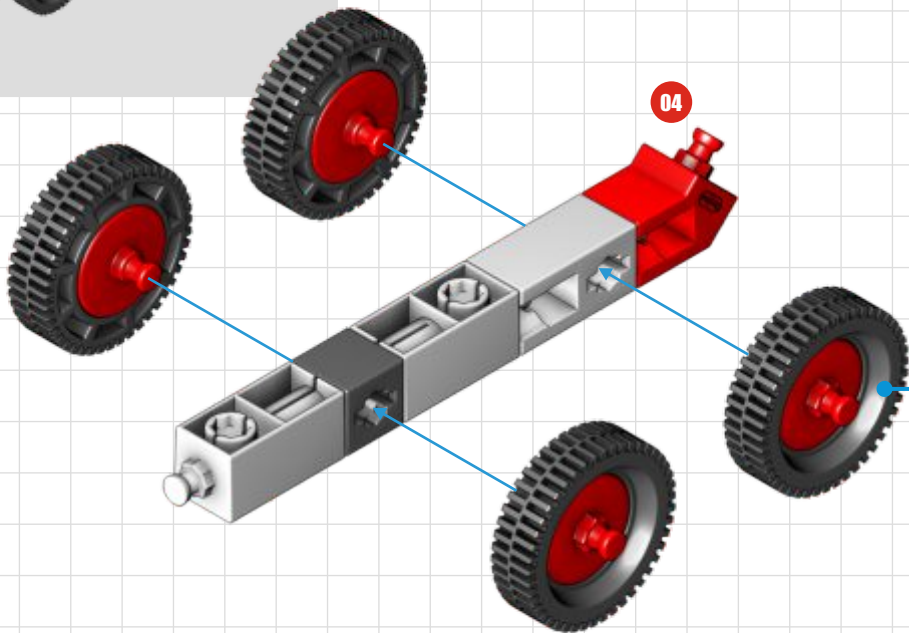
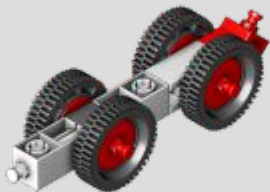
04



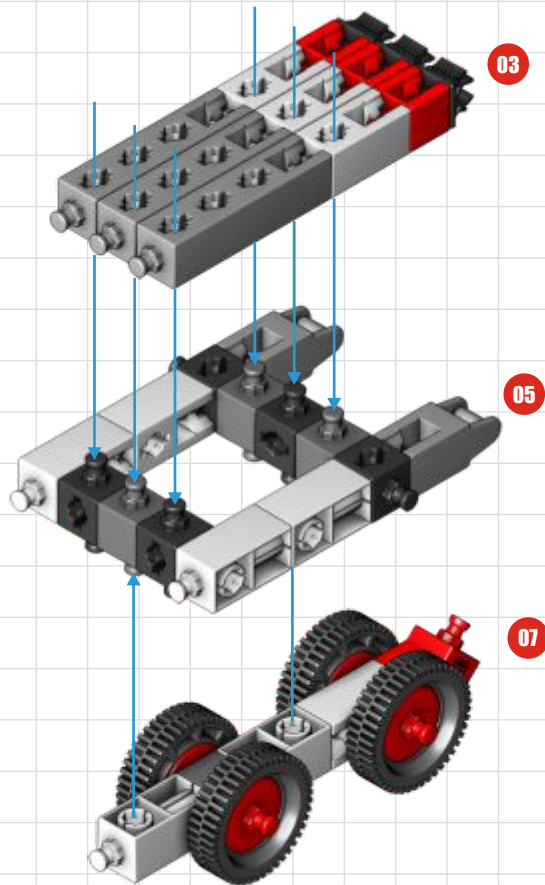
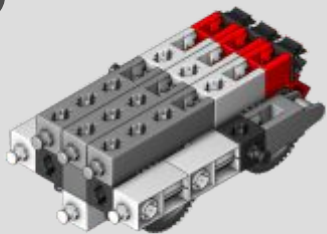
06



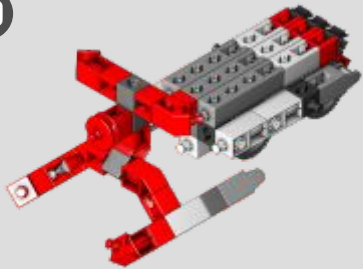
07



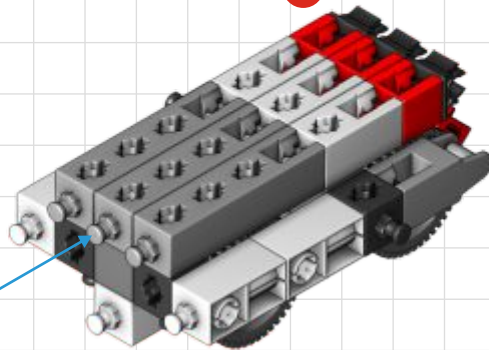
08



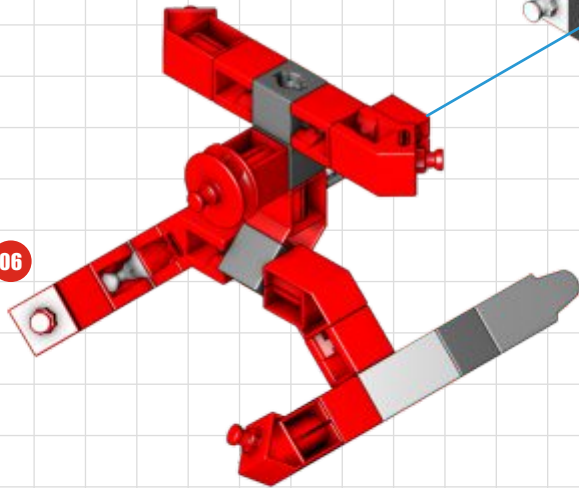
09



08



06





x2



x1



x4



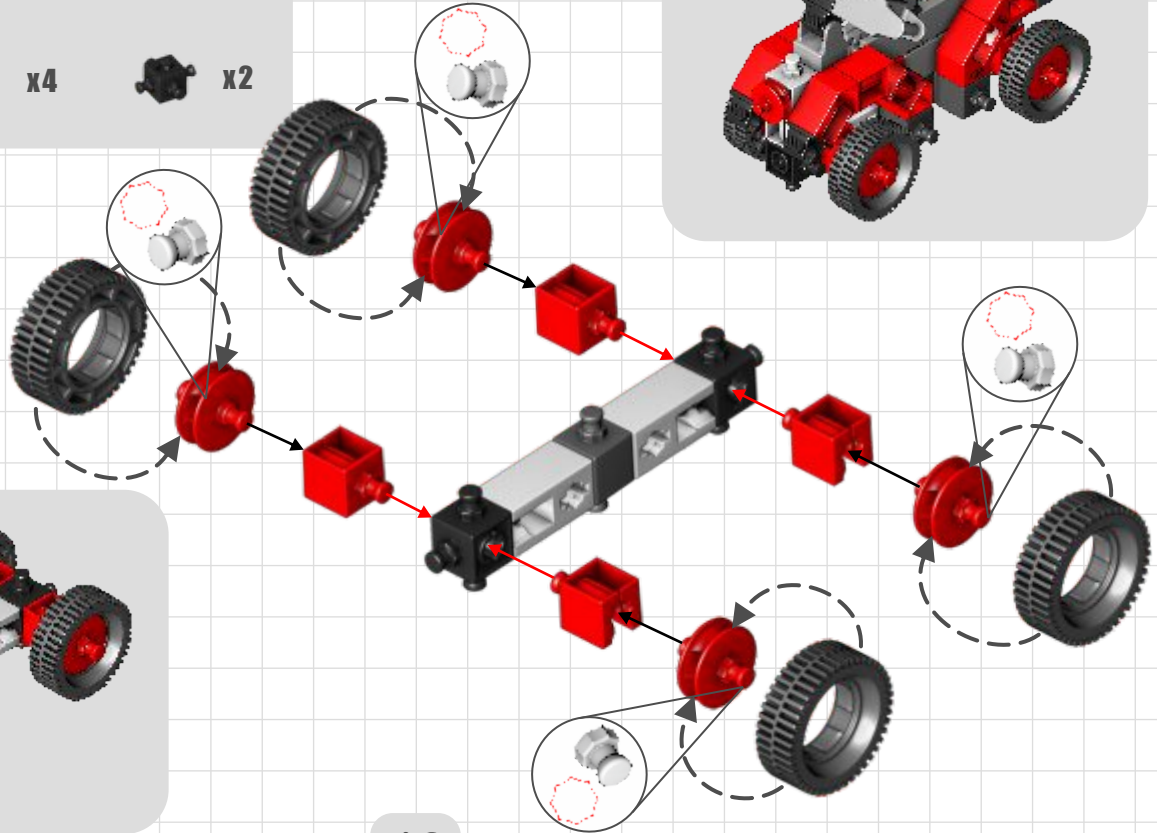
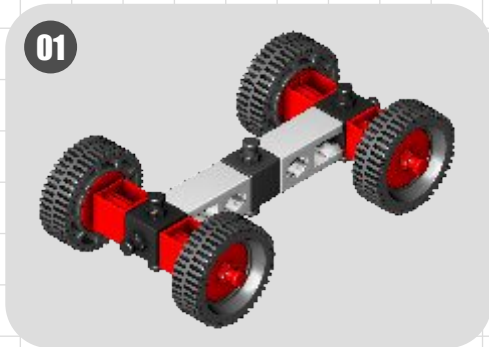
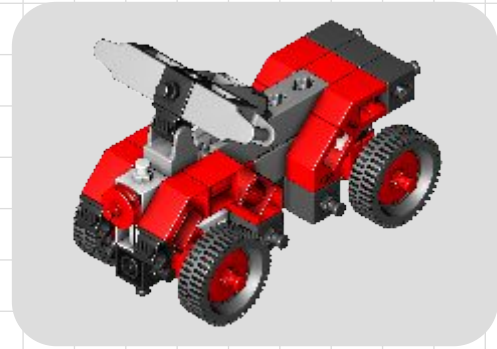
x4



x4



x2





x1



x1



x3



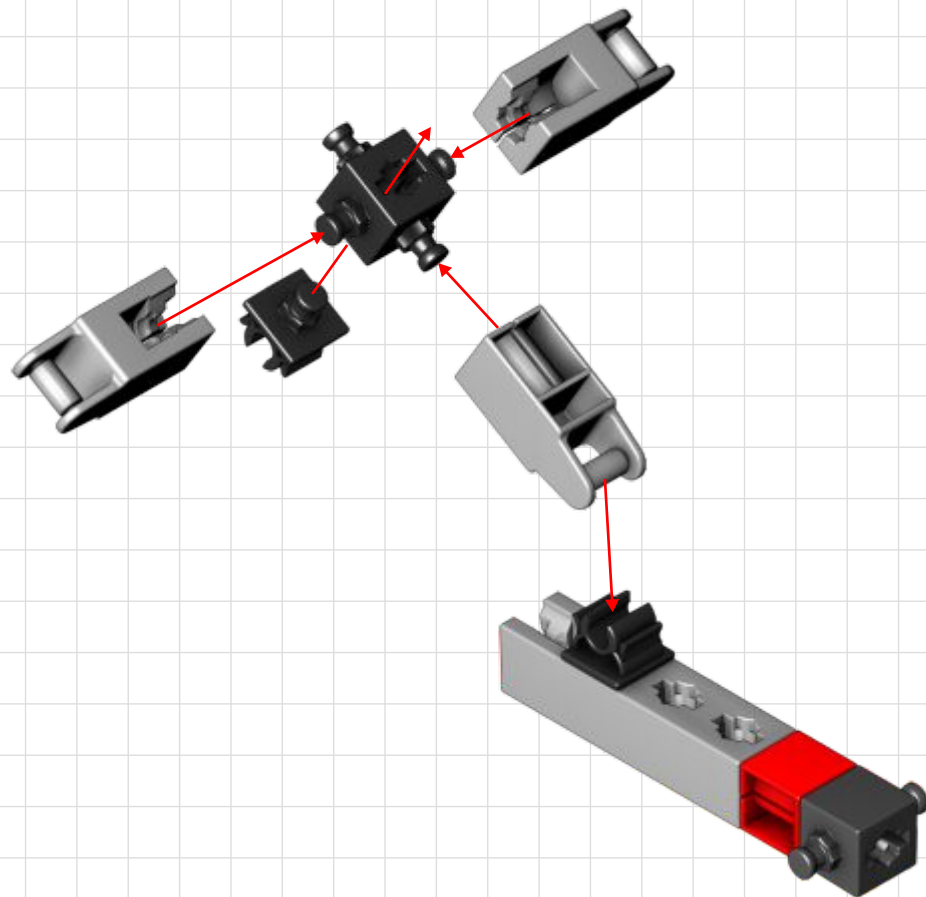
x1



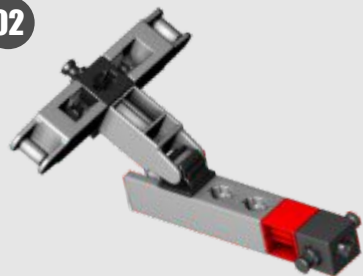
x1

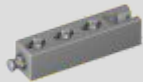


x2



02





x1



x1



x1



x1

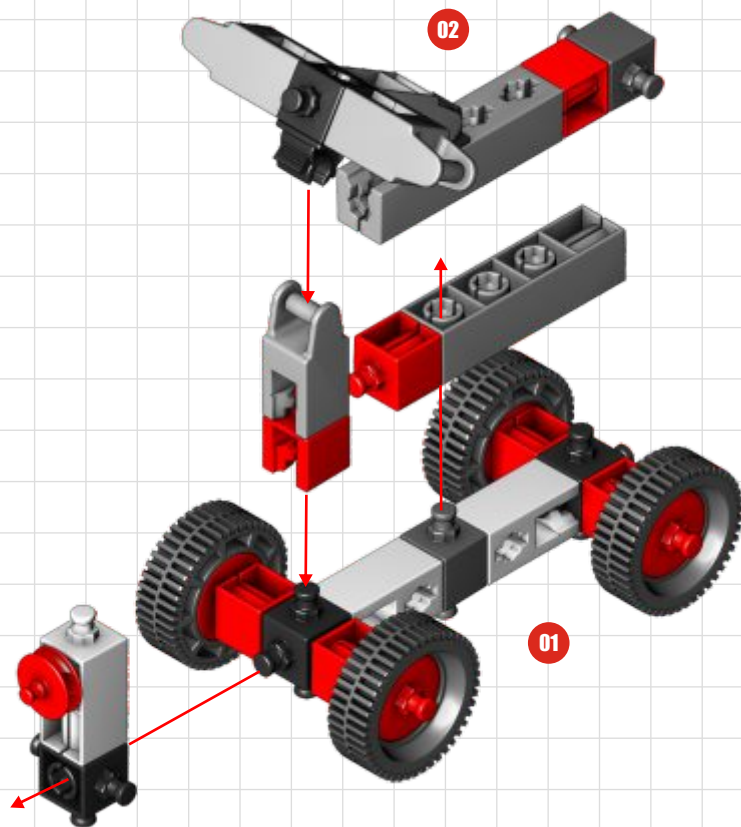
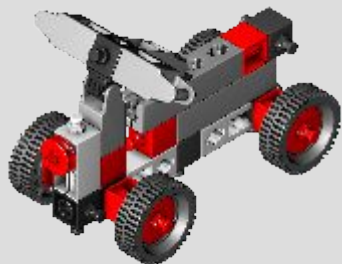


x2



x1

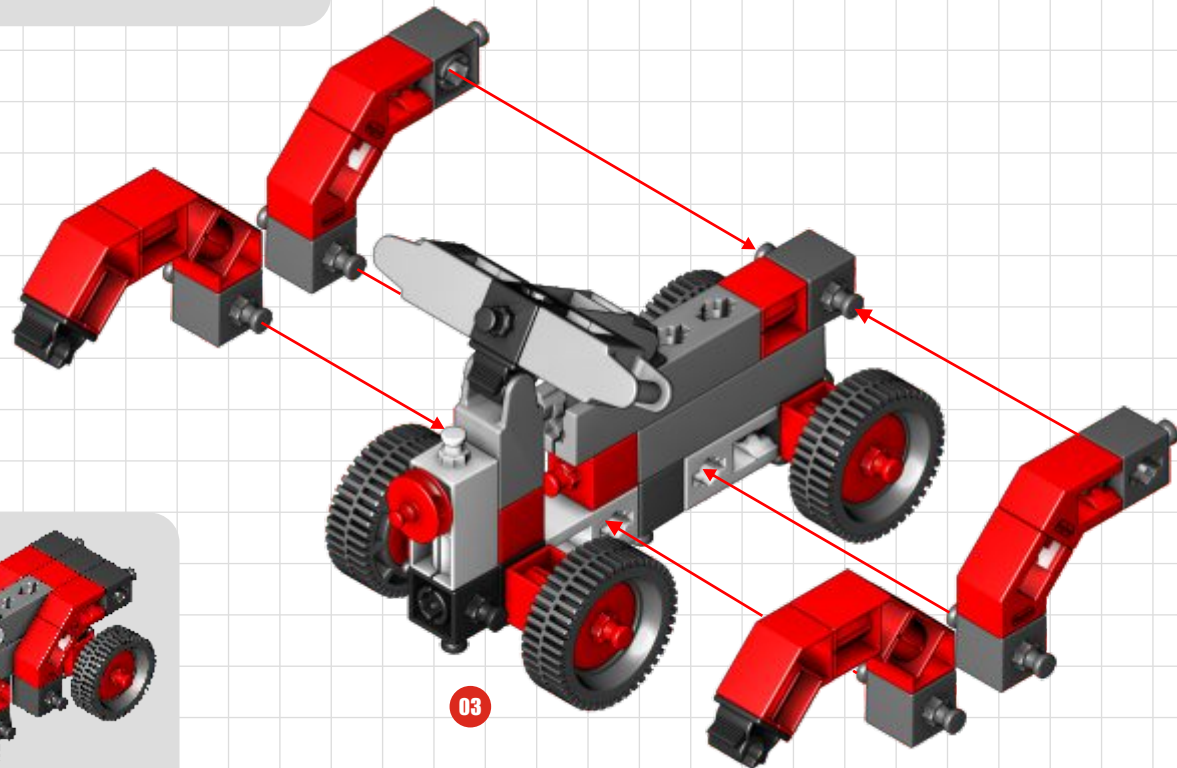
03



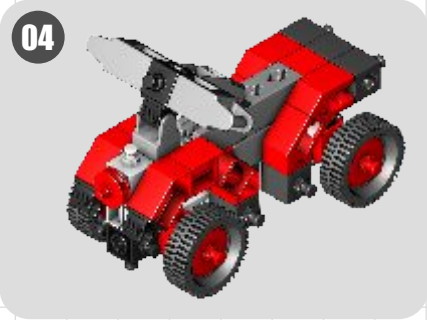
 x10

 x6








 x2

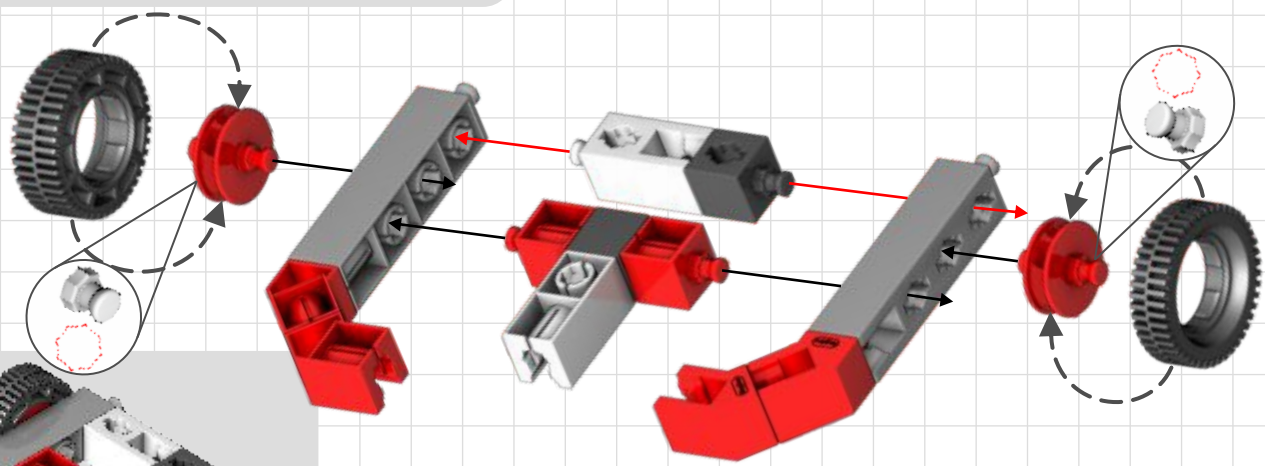
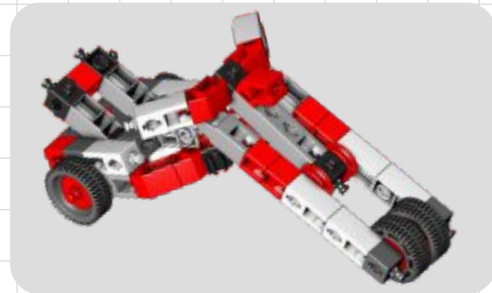


03

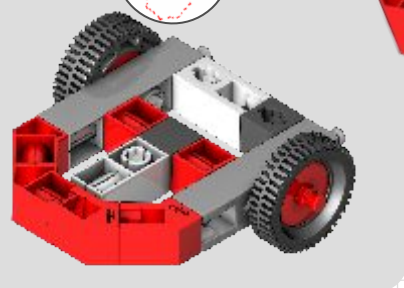


04


- | | | | | | |
|---|----|---|----|---|----|
|  | x2 |  | x4 |  | x2 |
|  | x2 |  | x2 | | |
|  | x2 |  | x2 | | |



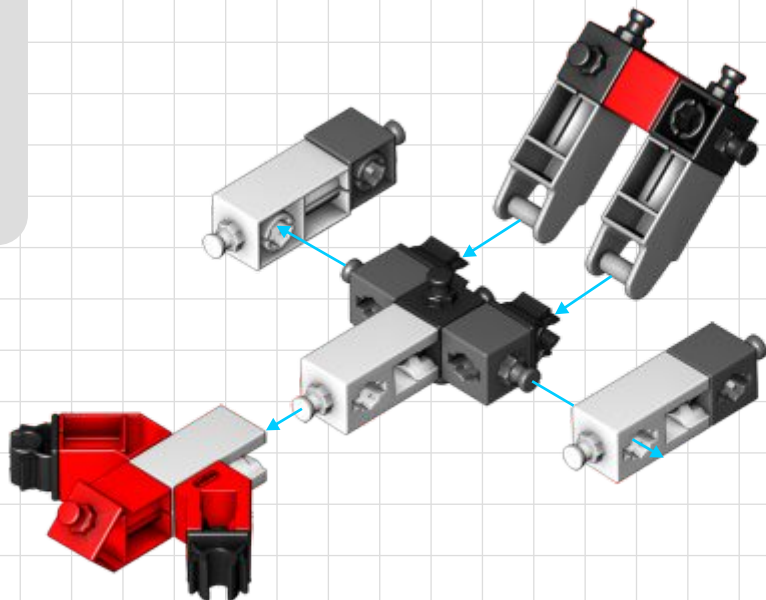
01



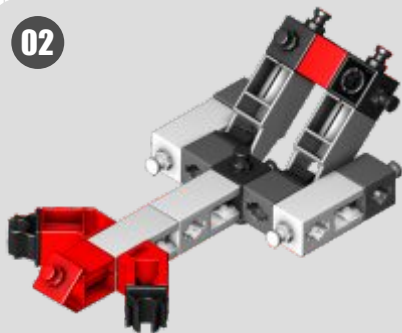
 x4  x2  x1

 x4  x4

 x3  x3



02

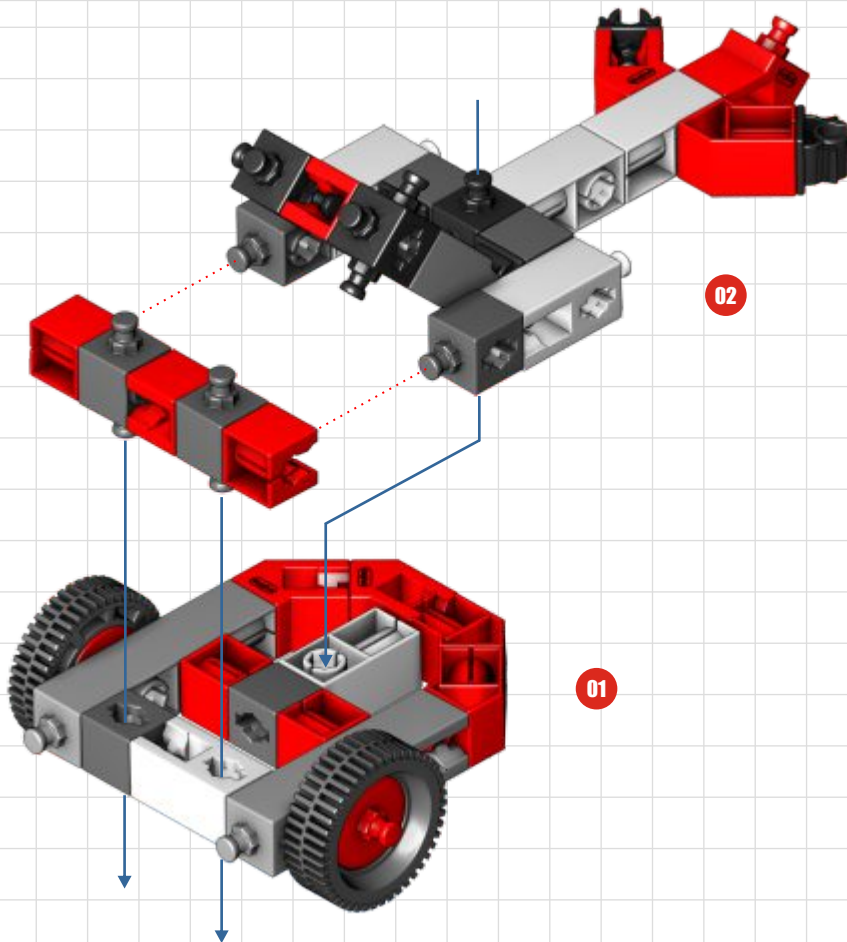




x2



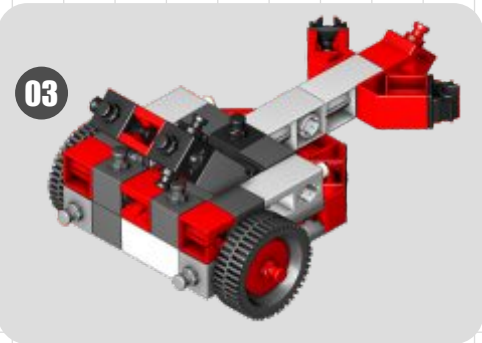
x3



02

01

03





x2



x3



x2



x4



x6



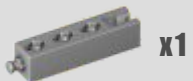
x3



x4

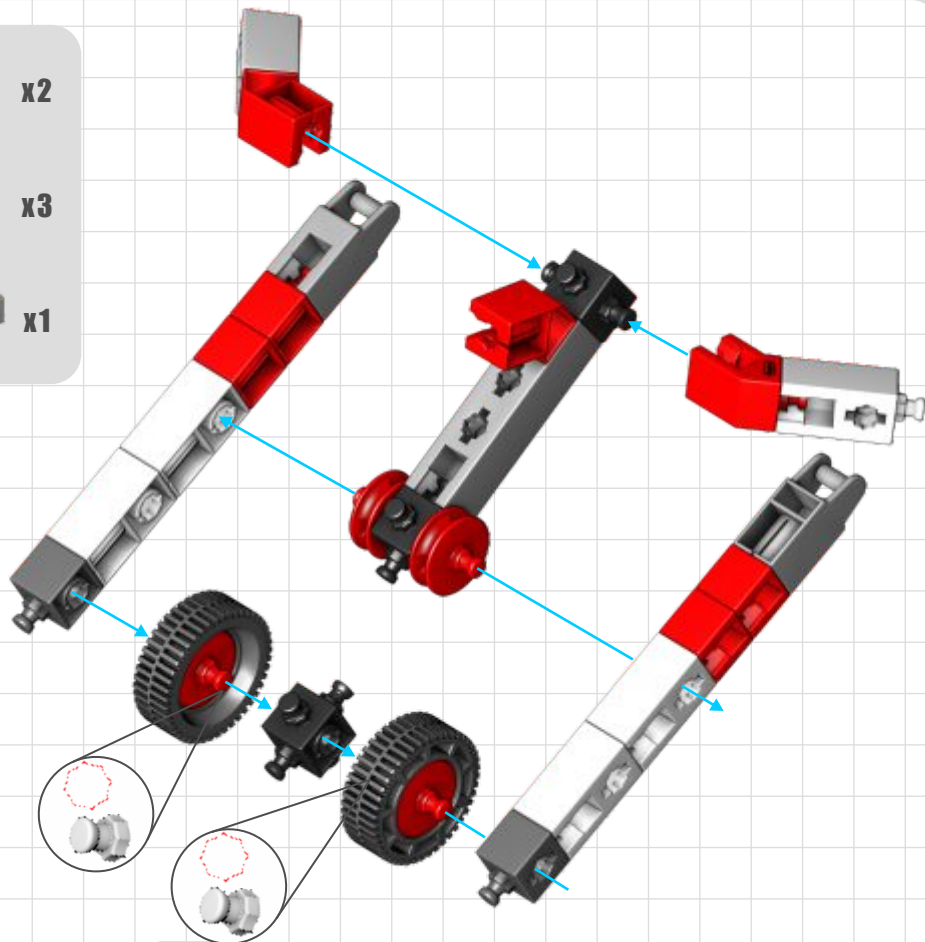
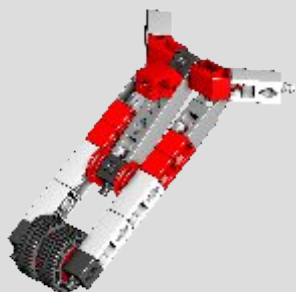


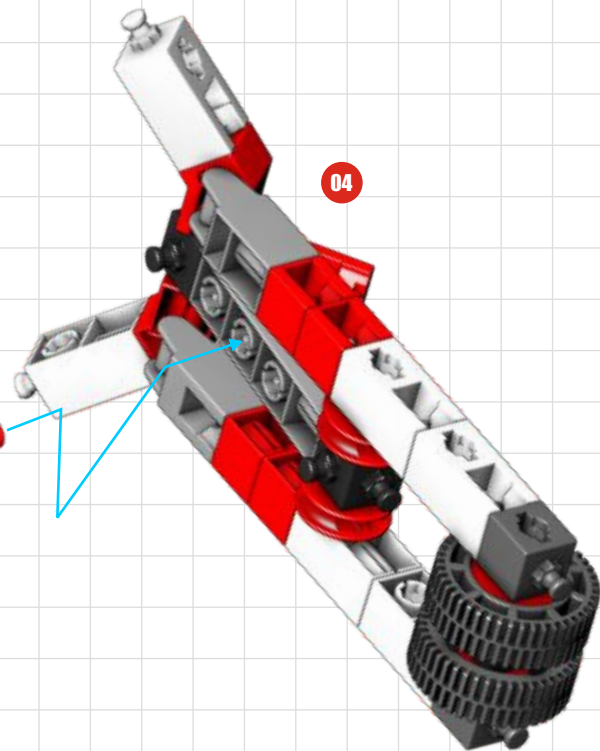
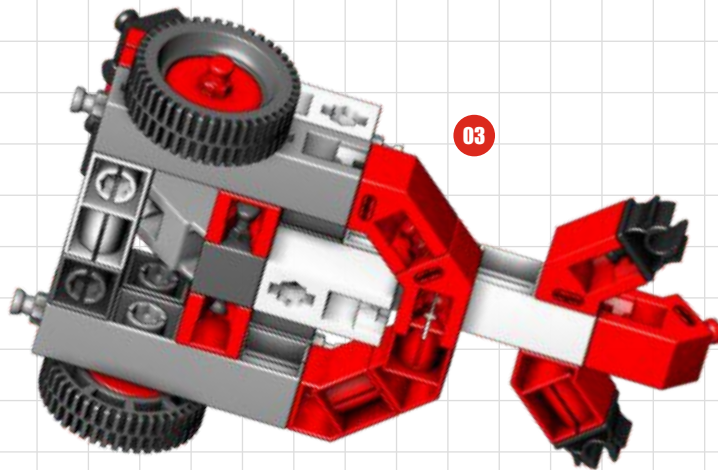
x2



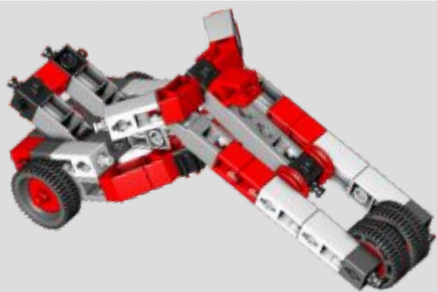
x1

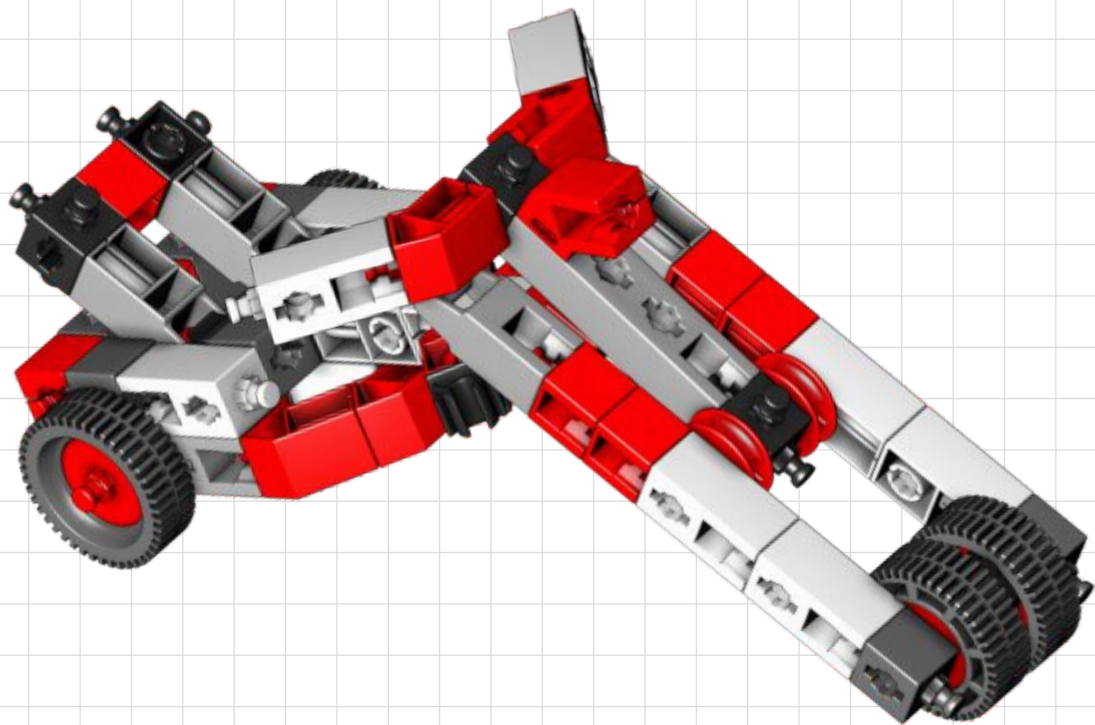
04

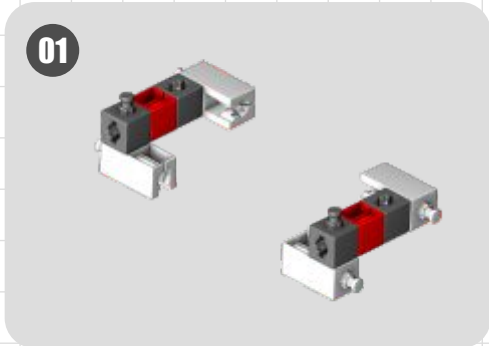
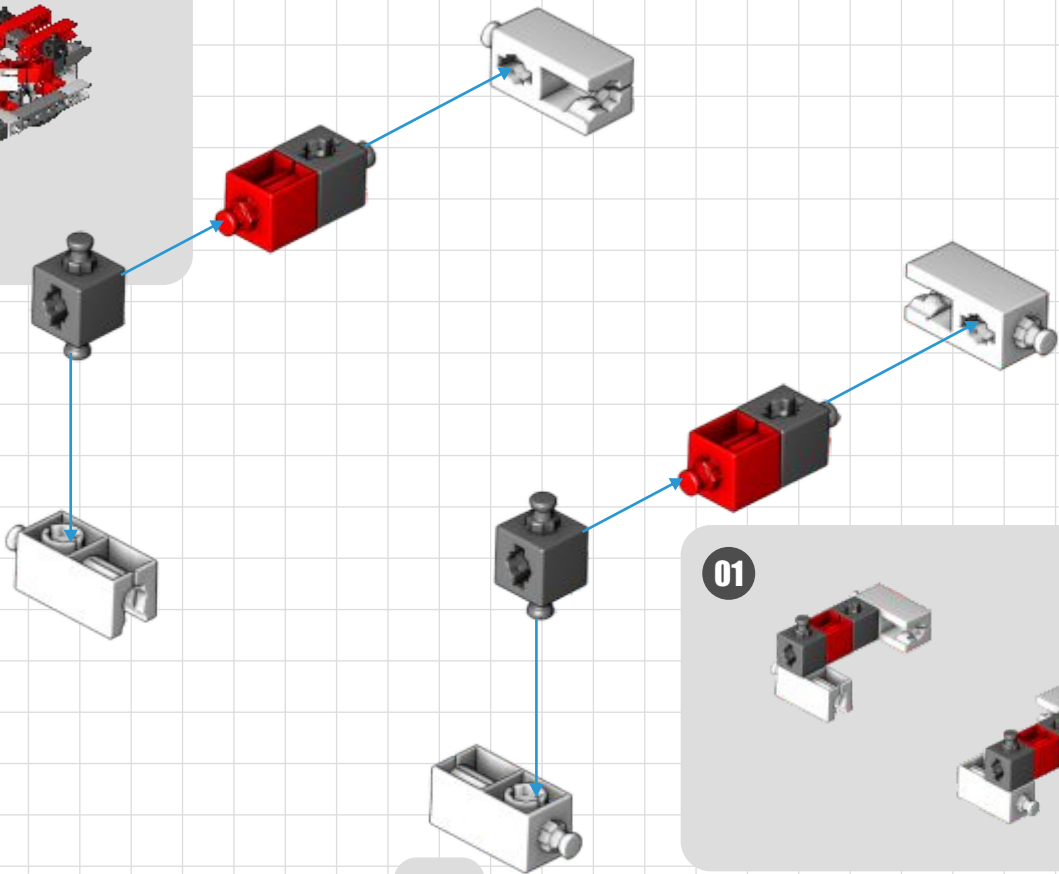
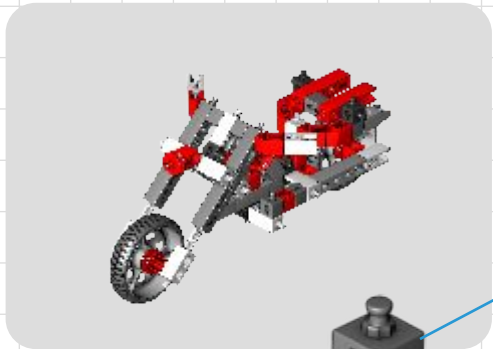




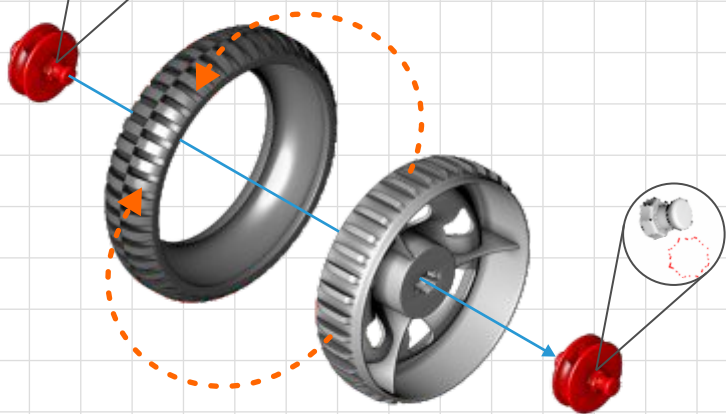
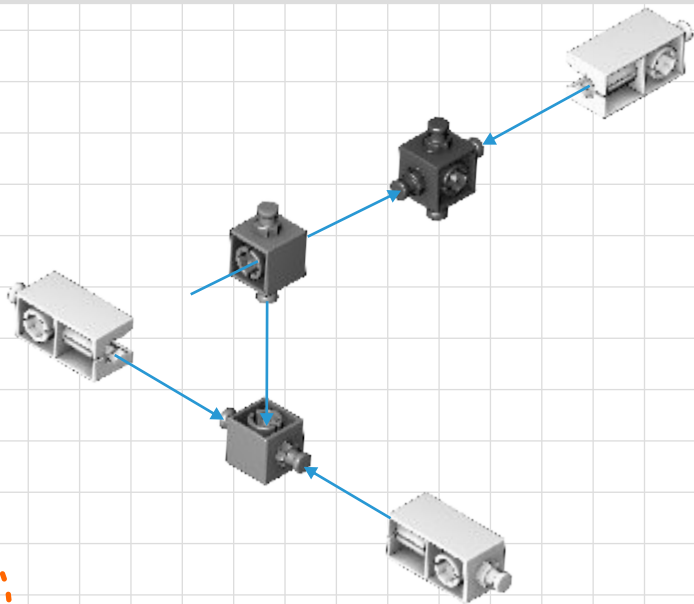
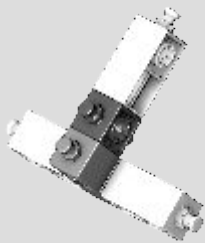
05







04

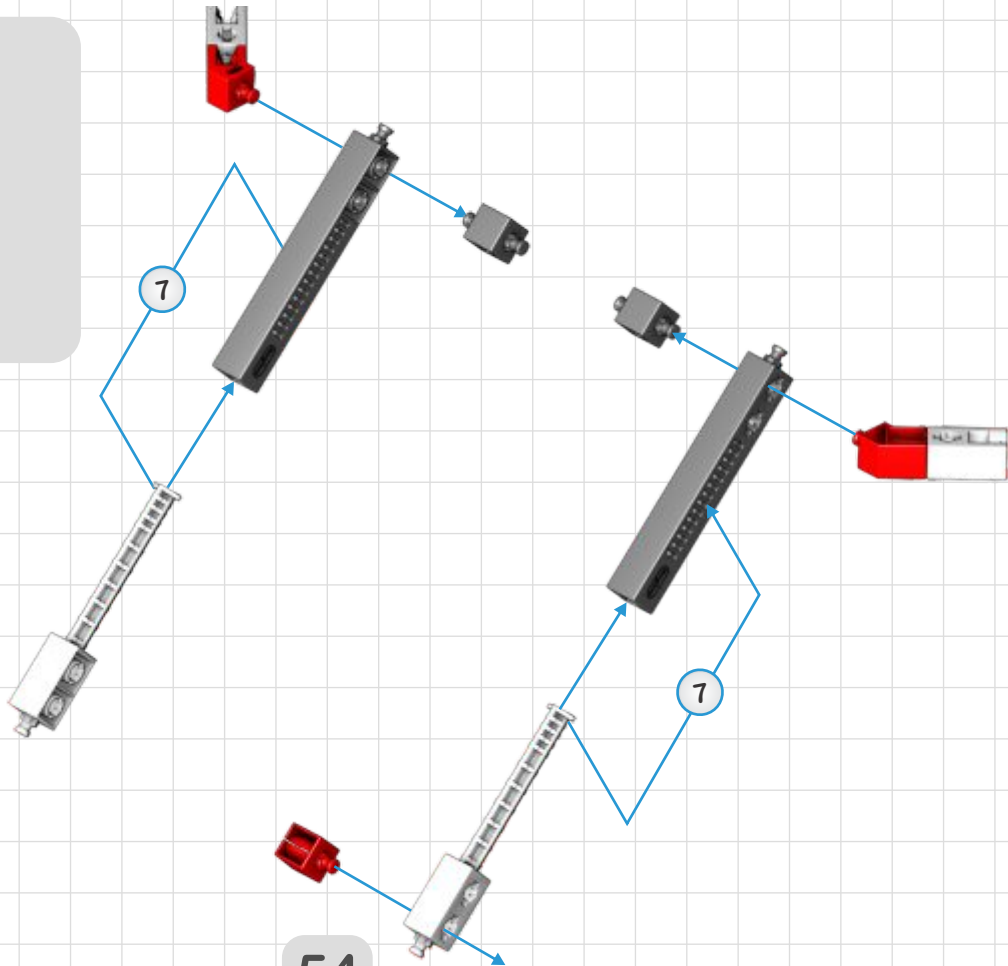
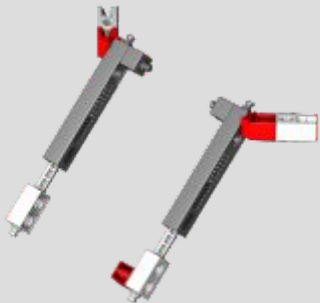


05

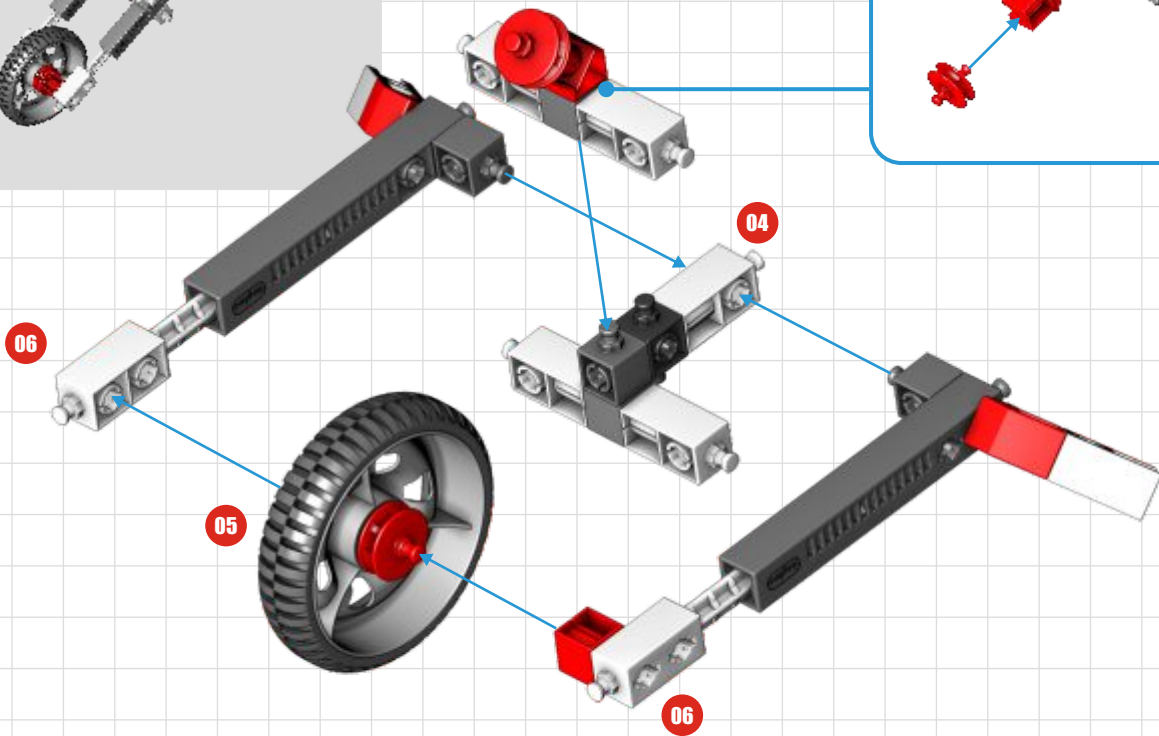
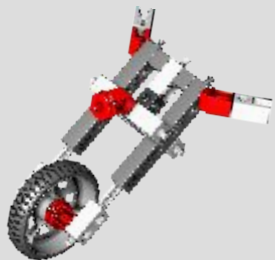
x2



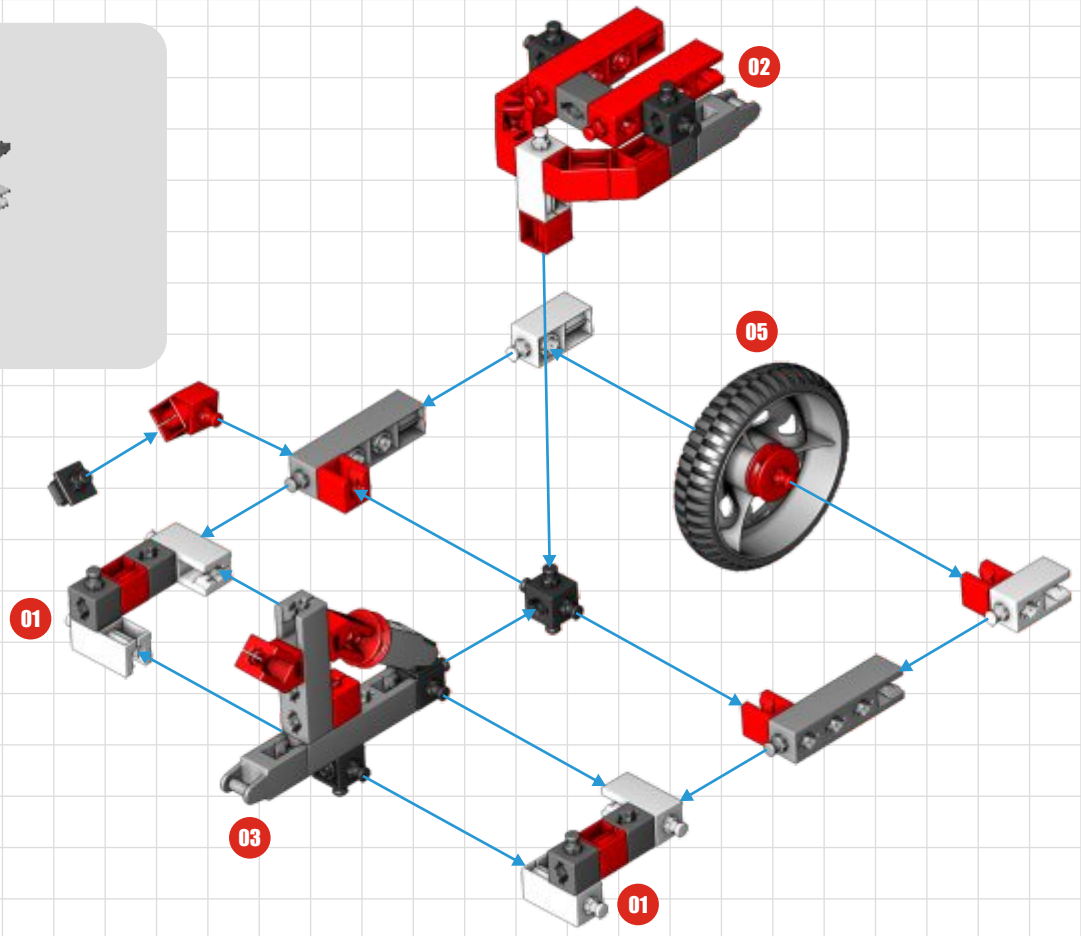
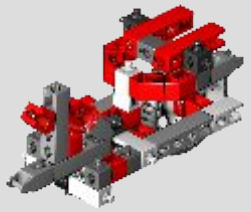
06



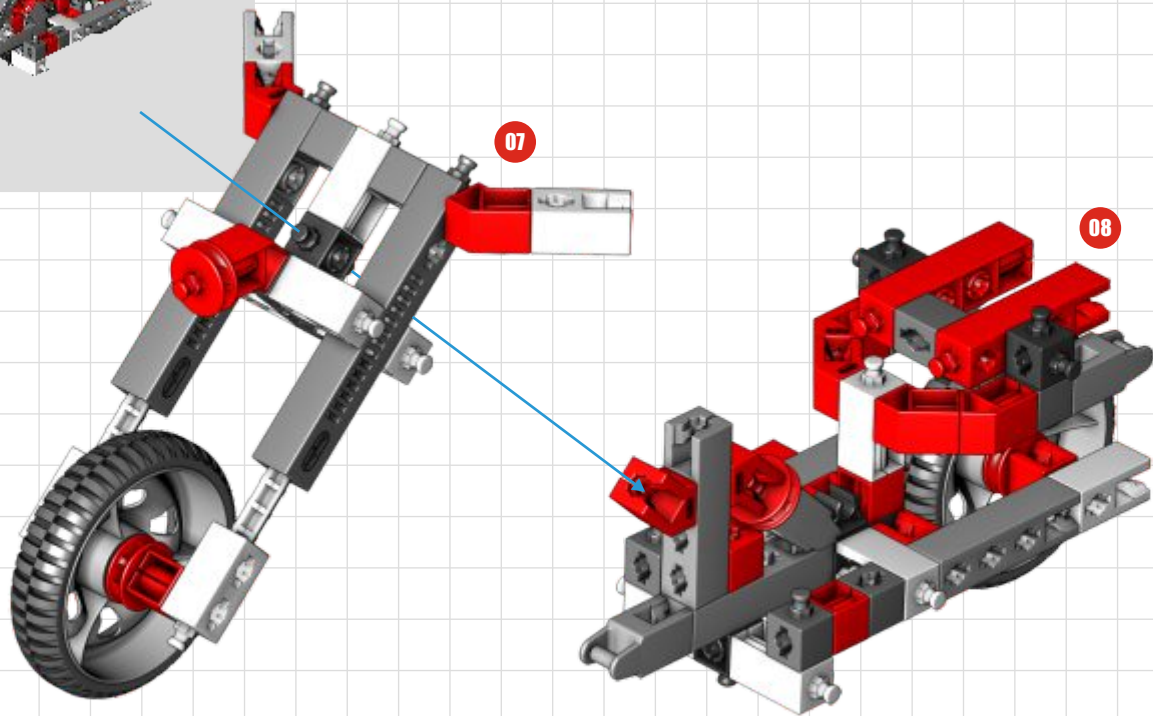
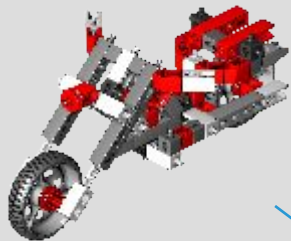
07

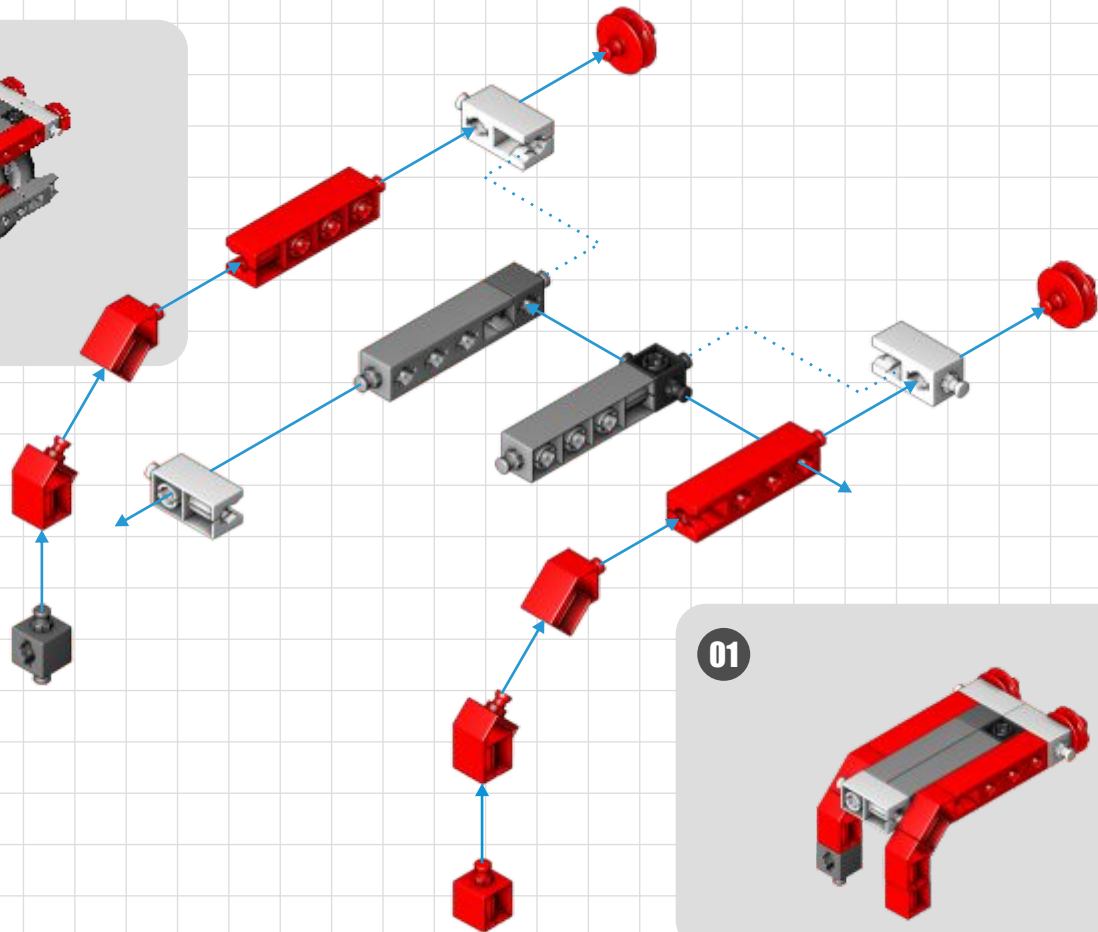
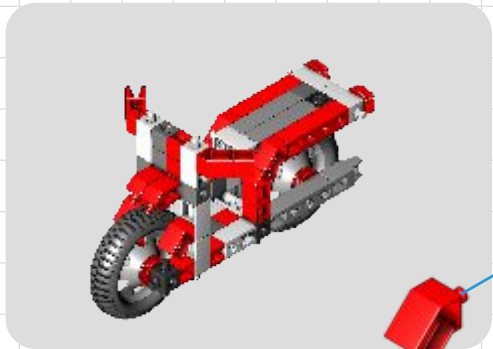


08

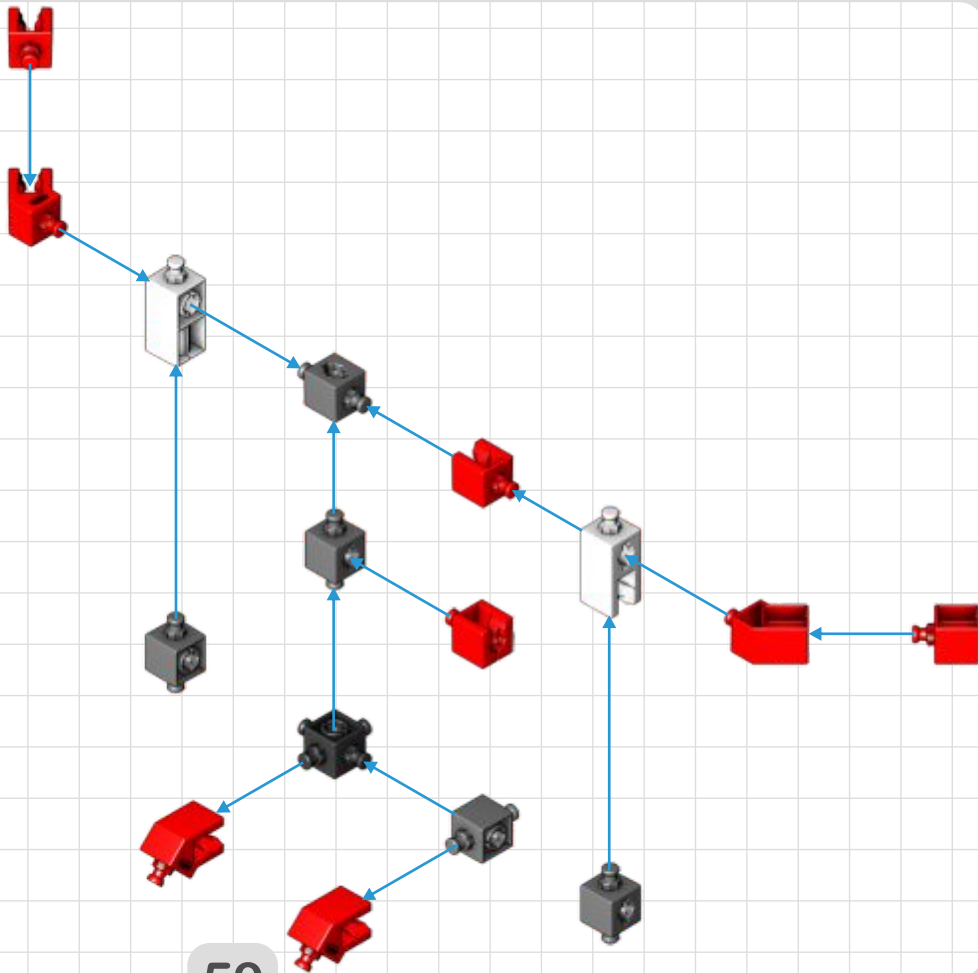
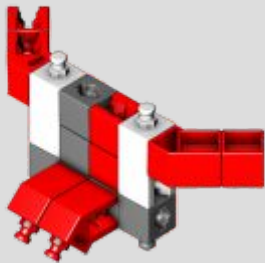


09

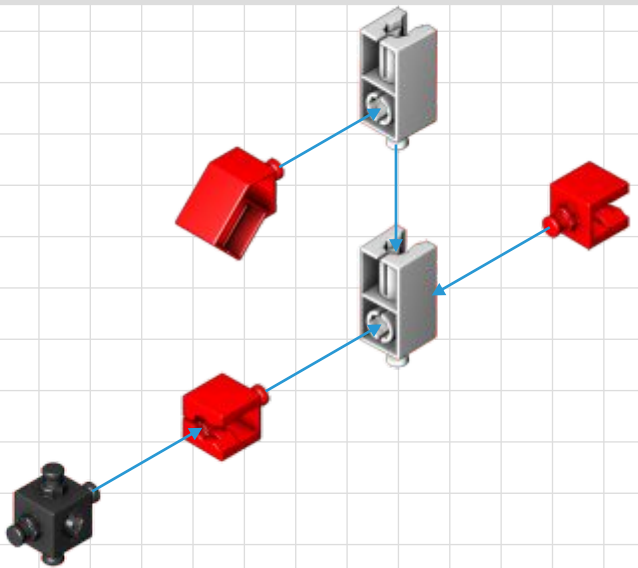
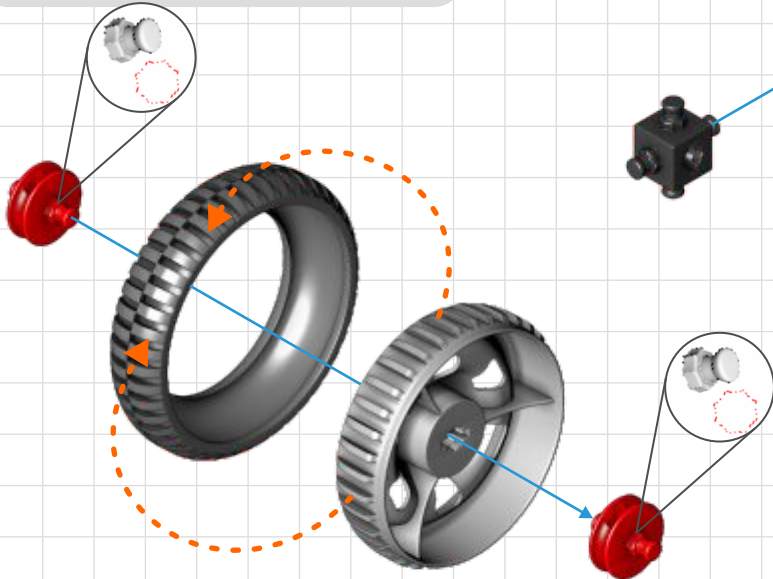
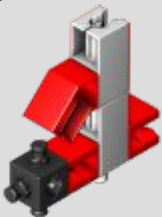




02



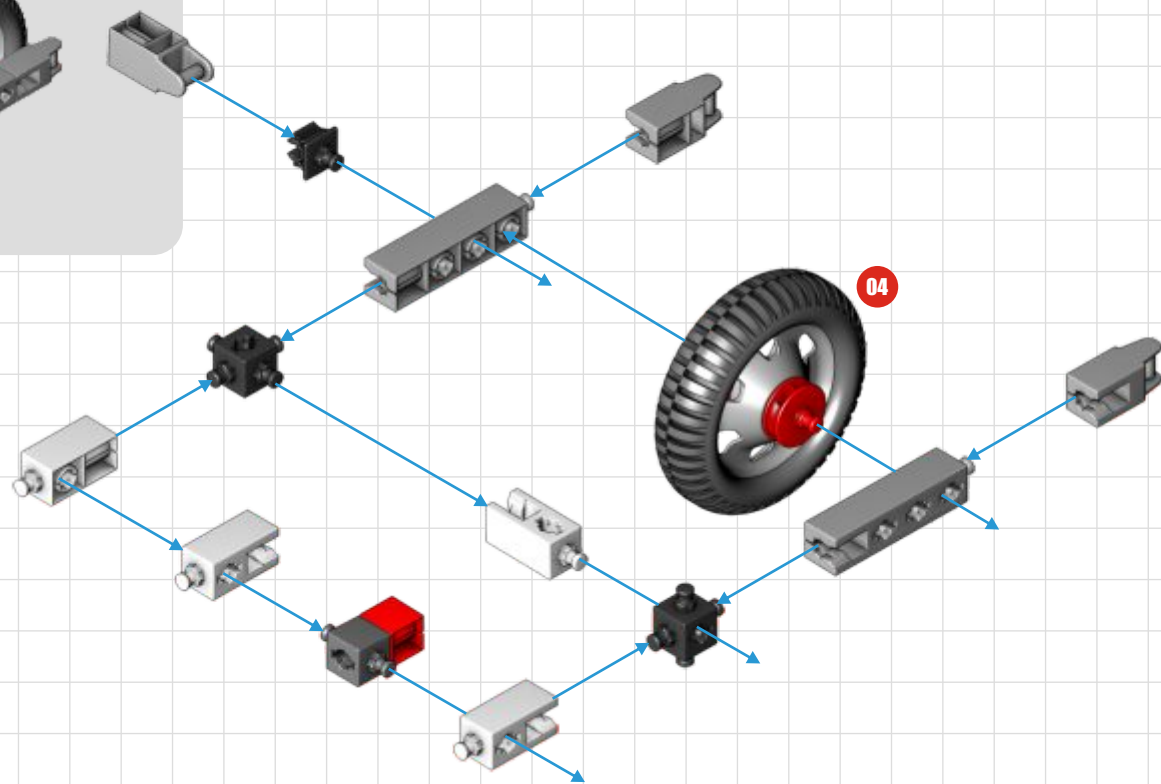
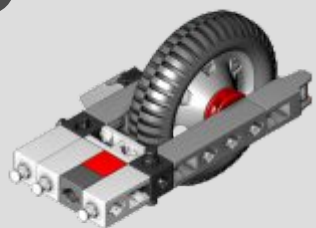
03 x2



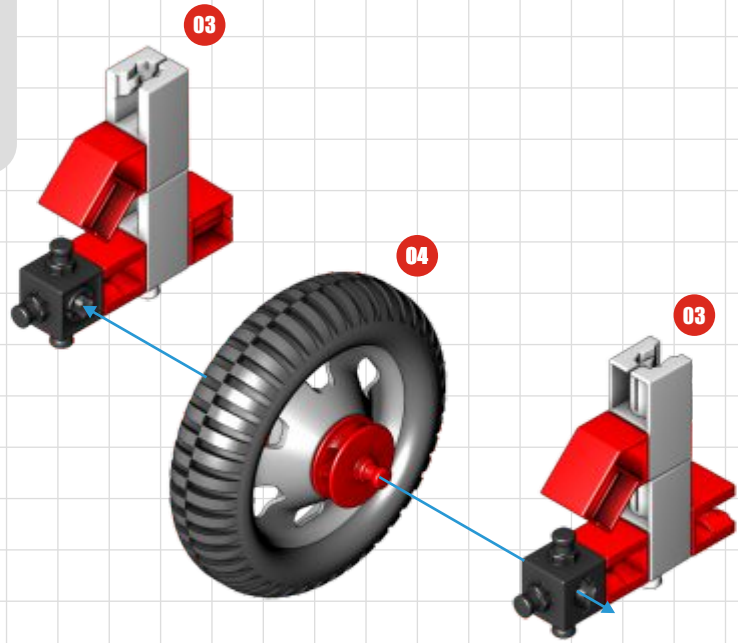
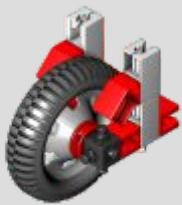
04 x2



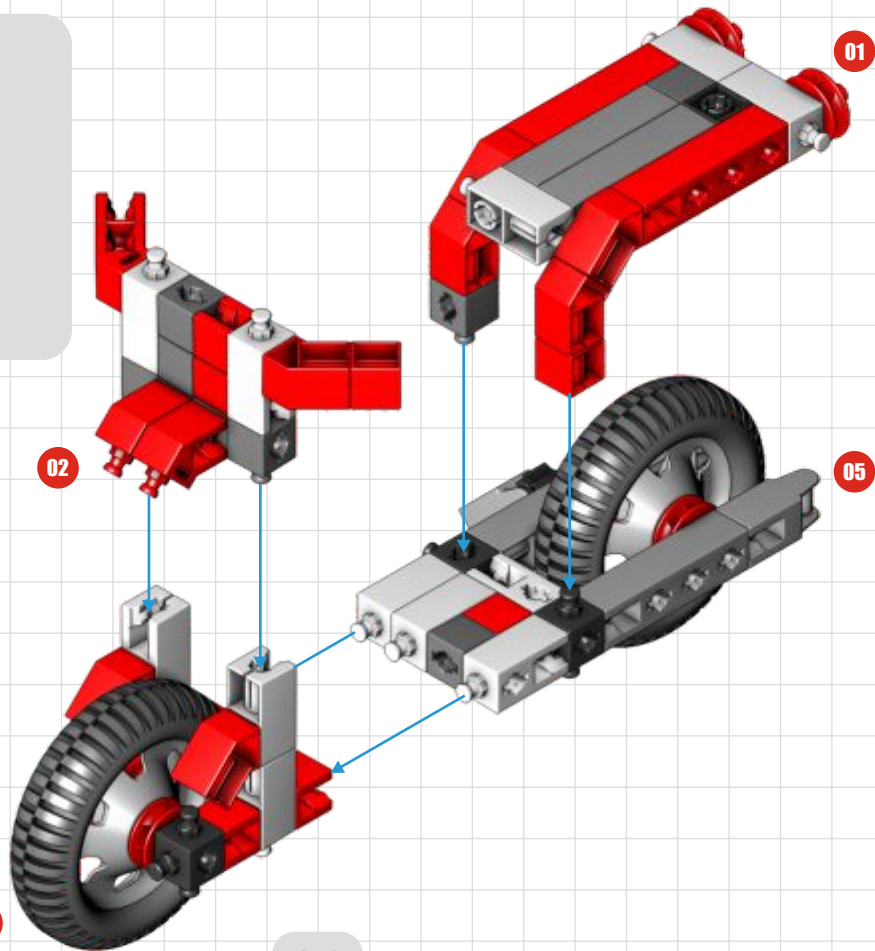
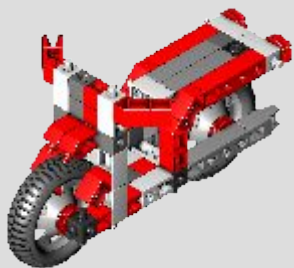
05

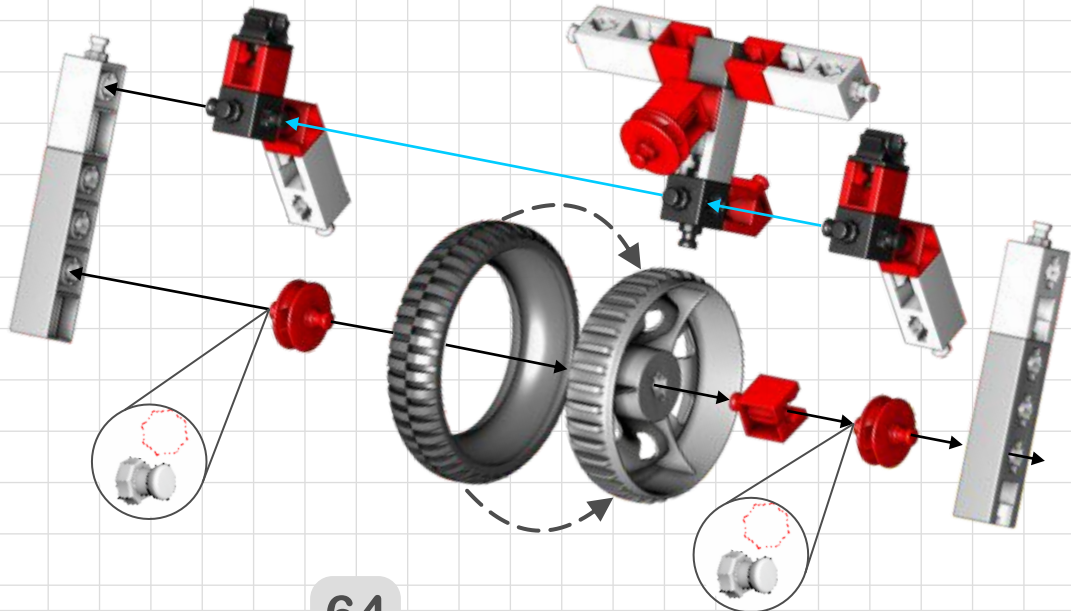
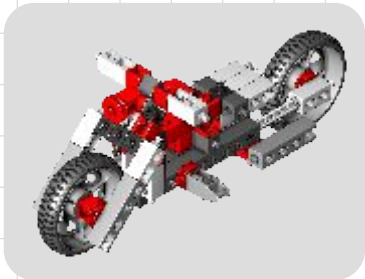


06



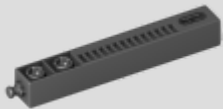
07







x2



x1



x1



x2



x1



x1



x3



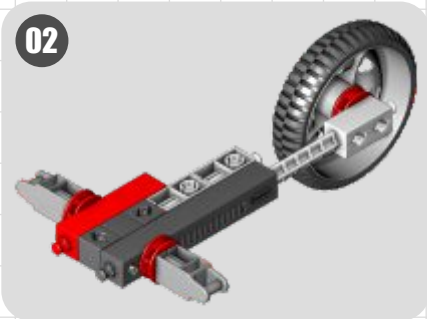
x1



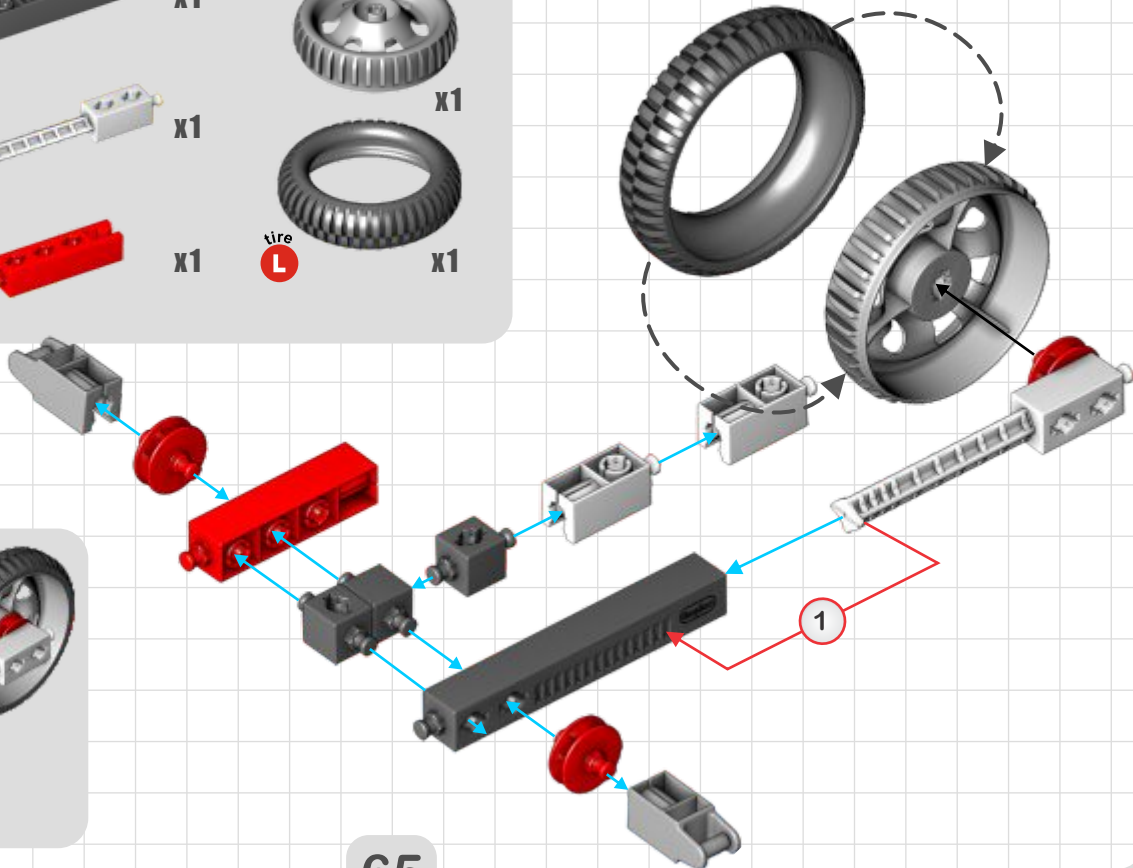
tire



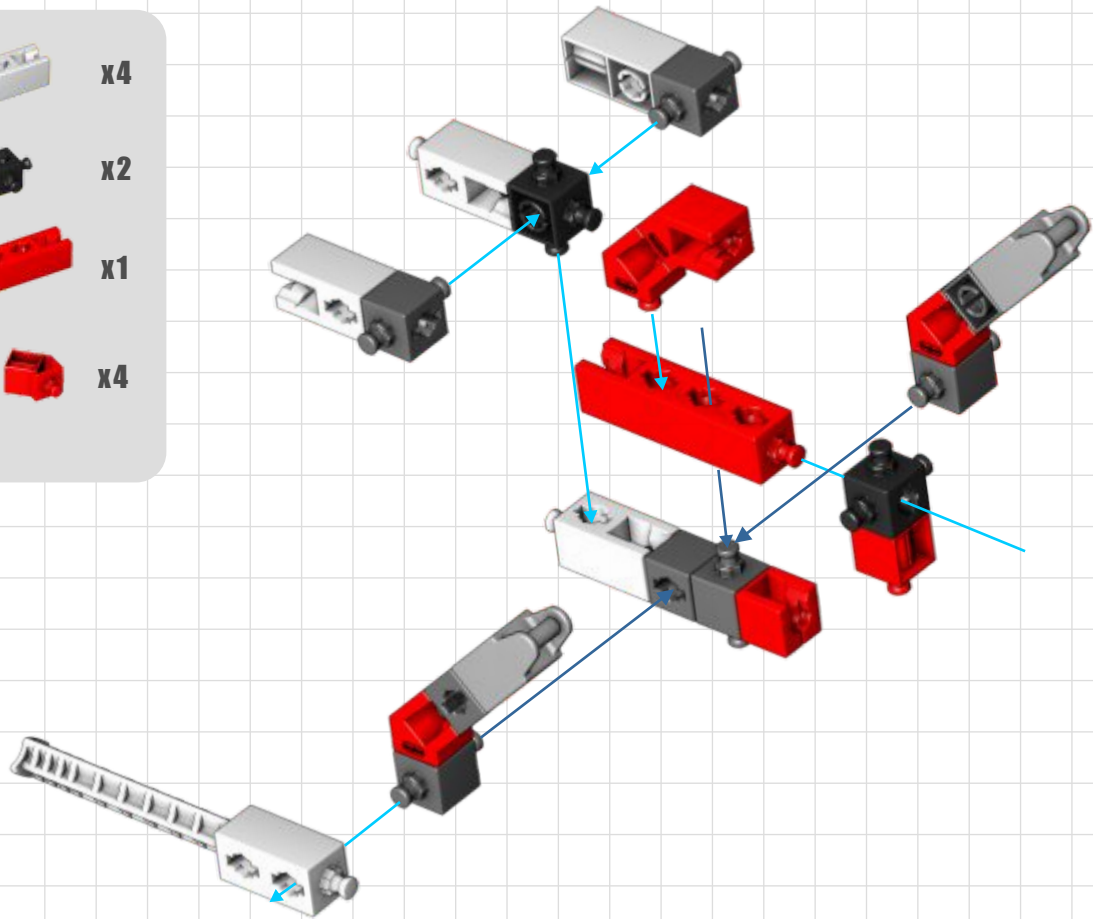
x3



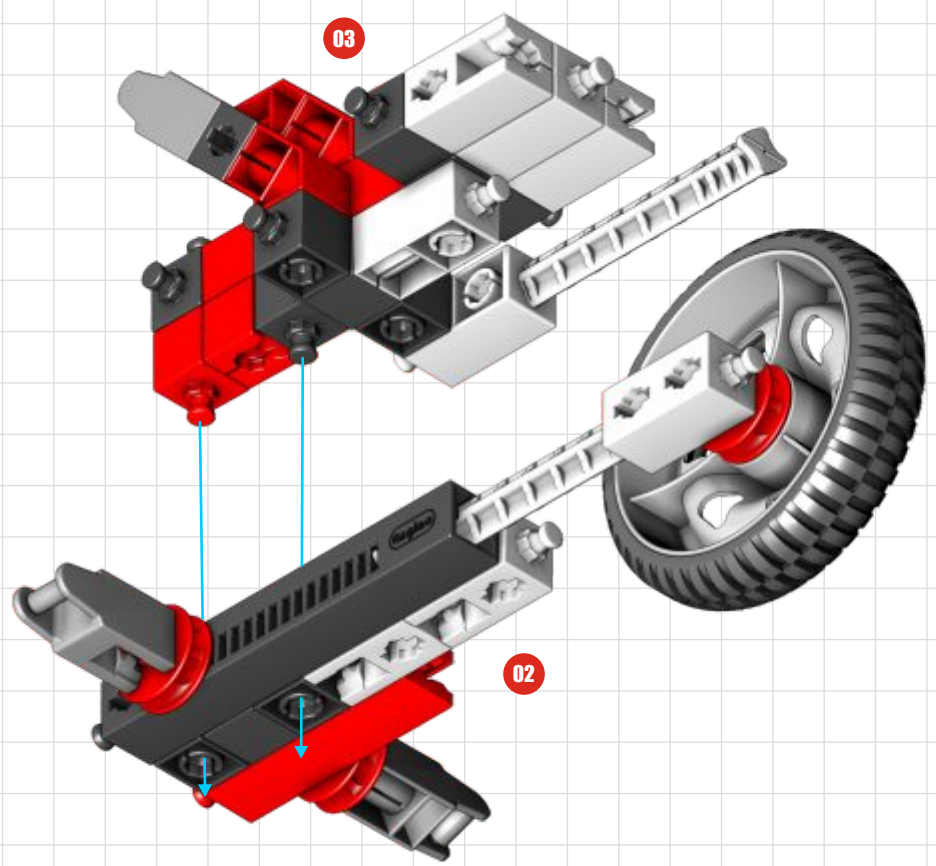
02



	x8		x4
	x2		x2
	x2		x1
	x1		x4

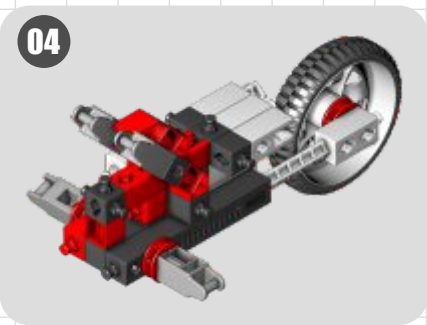


03

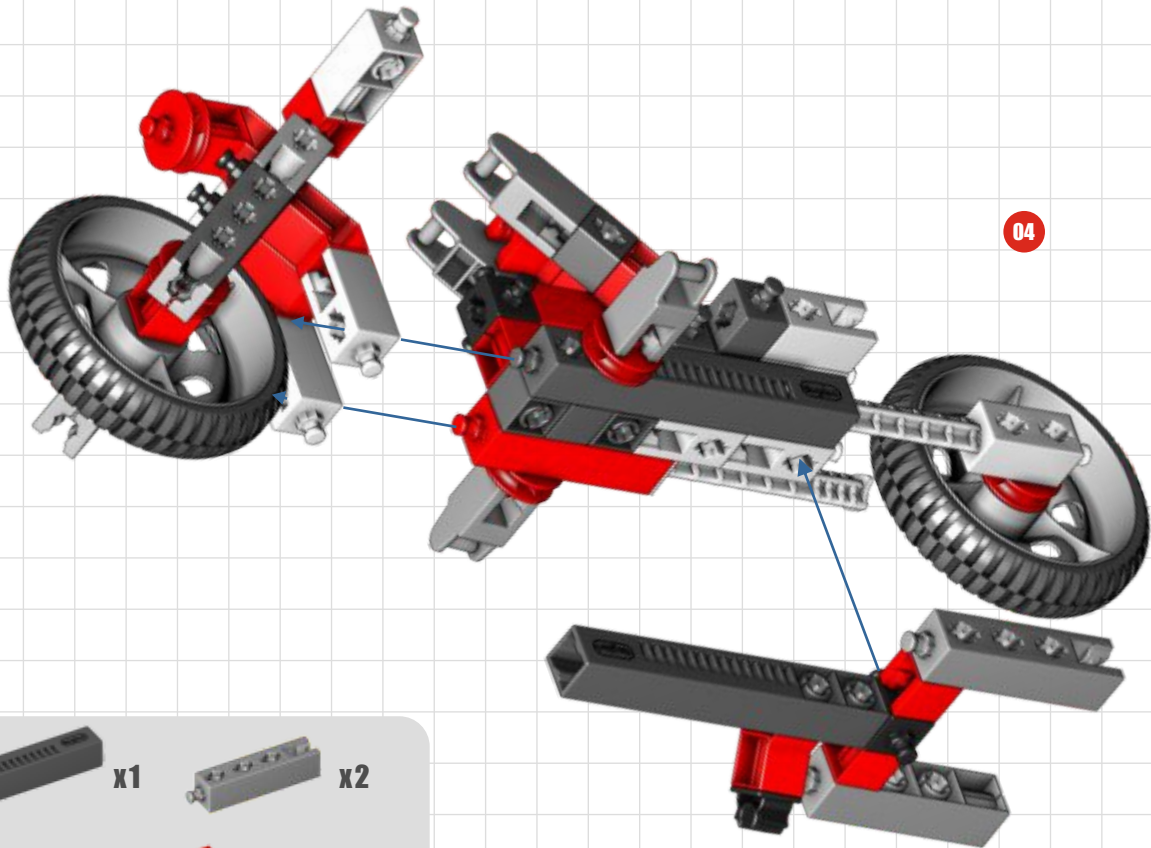


02

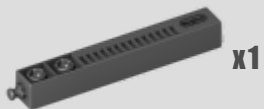
04



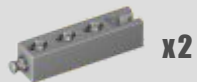
01



04



x1



x2



x1



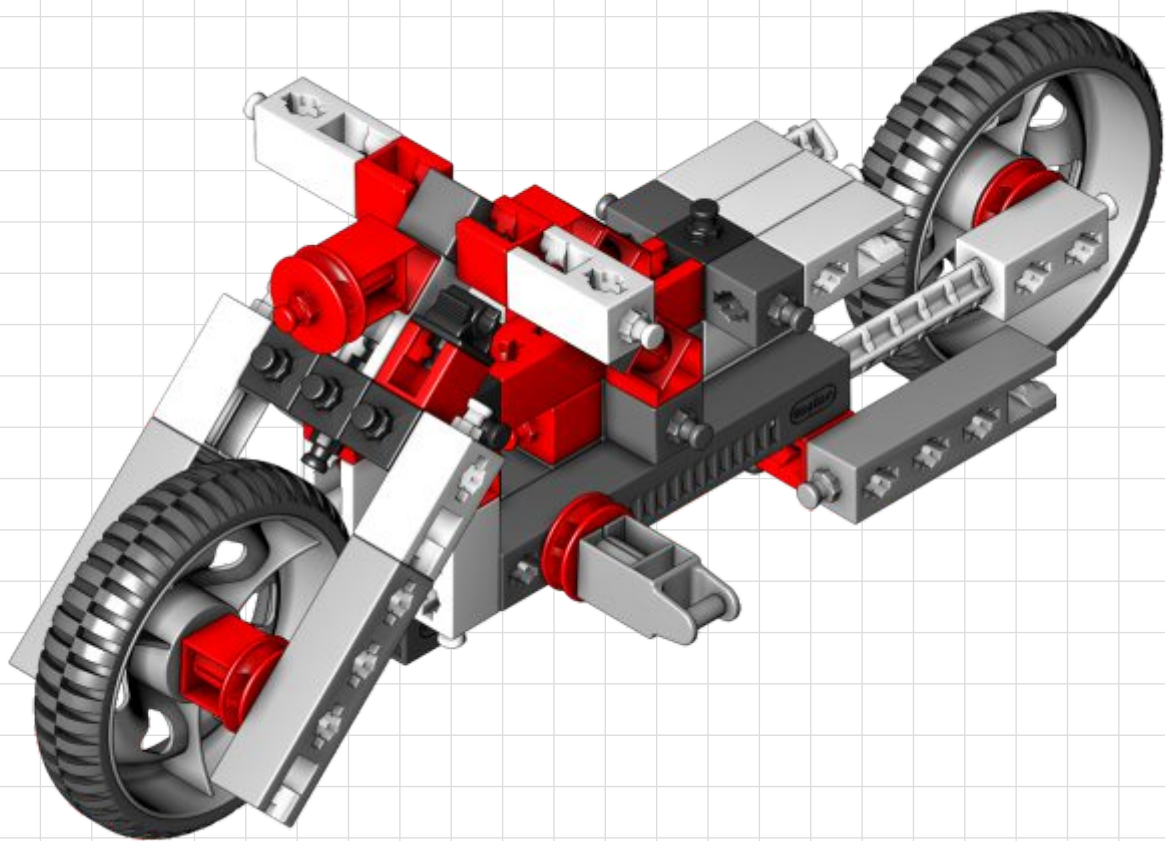
x1

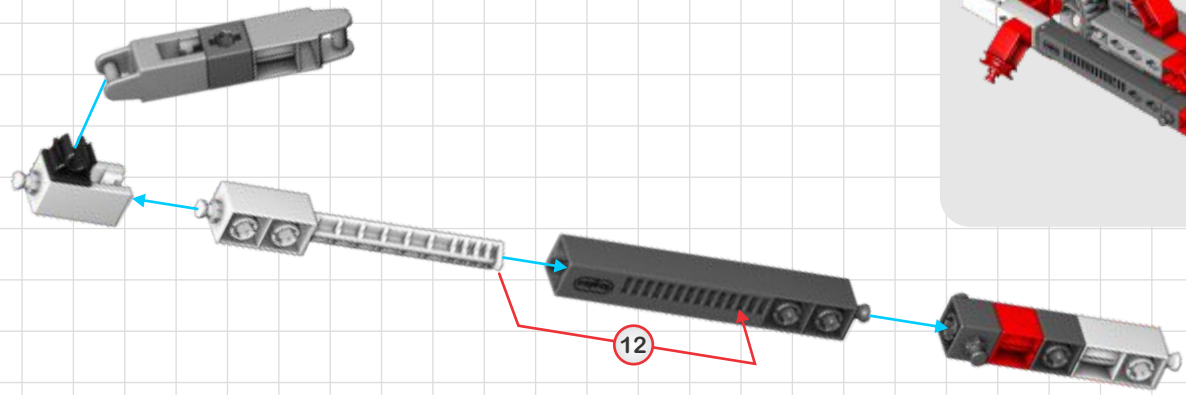
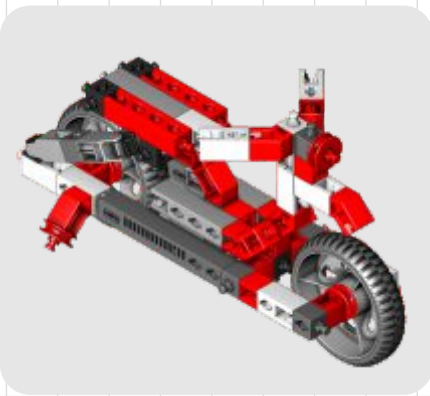
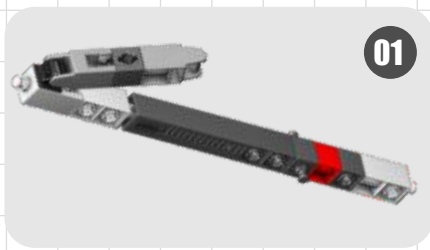


x2



x1





tire
L



x2



x4

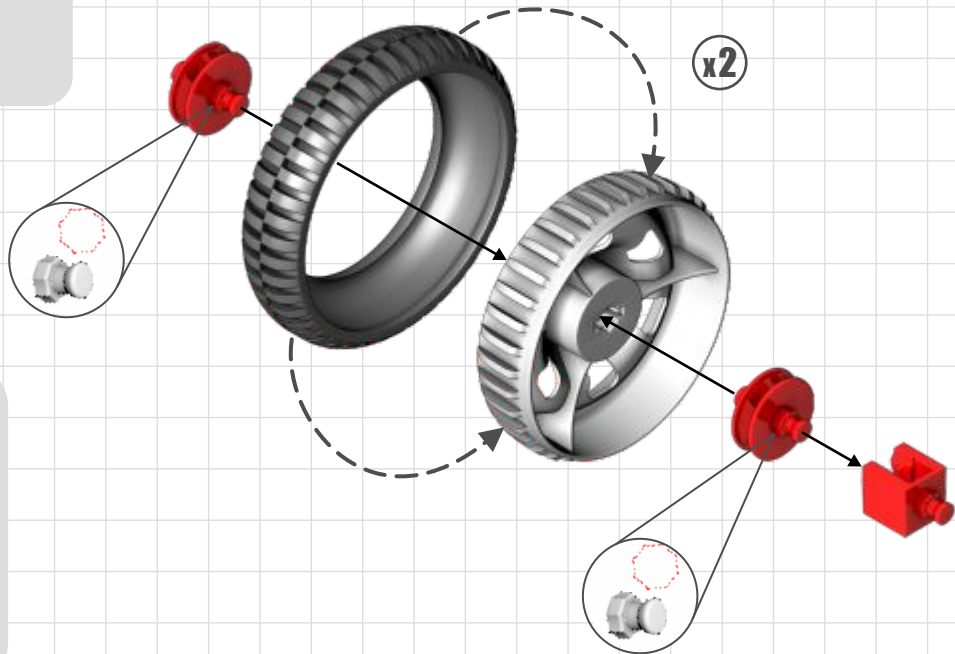
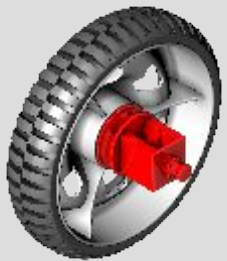


x2



x2

03





x5



x1



x3



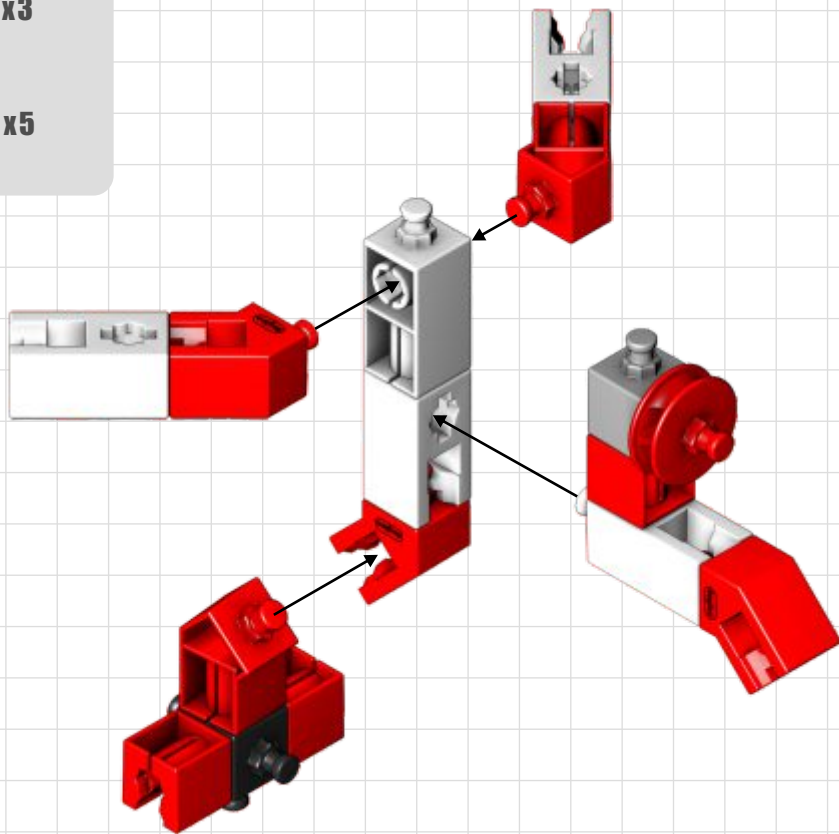
x1



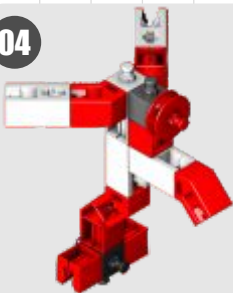
x1



x5



04





x4



x5



x3

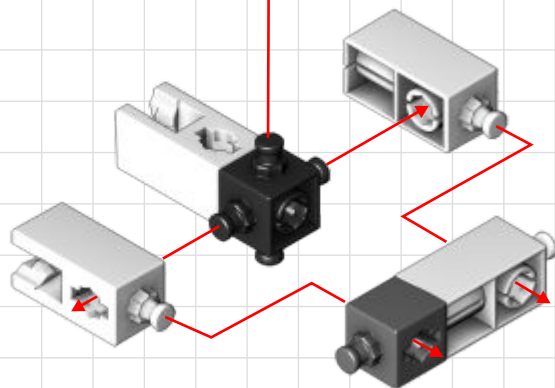
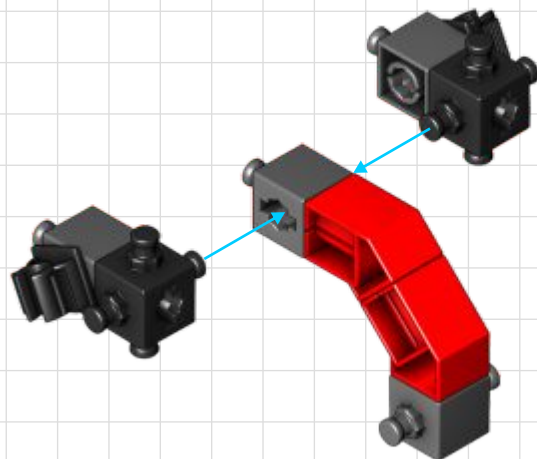
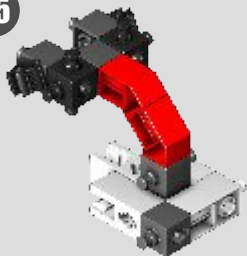


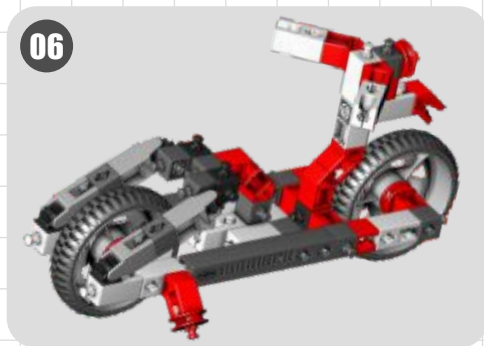
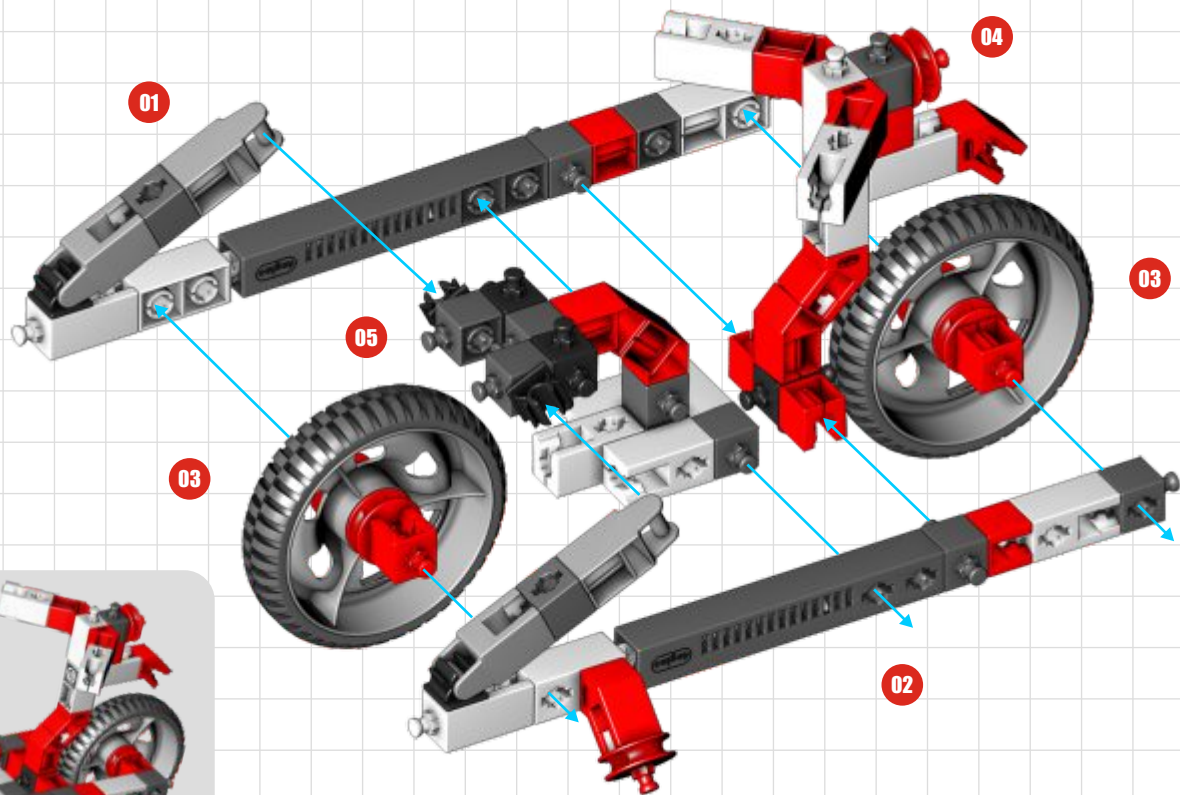
x2



x2

05







x3



x1



x2



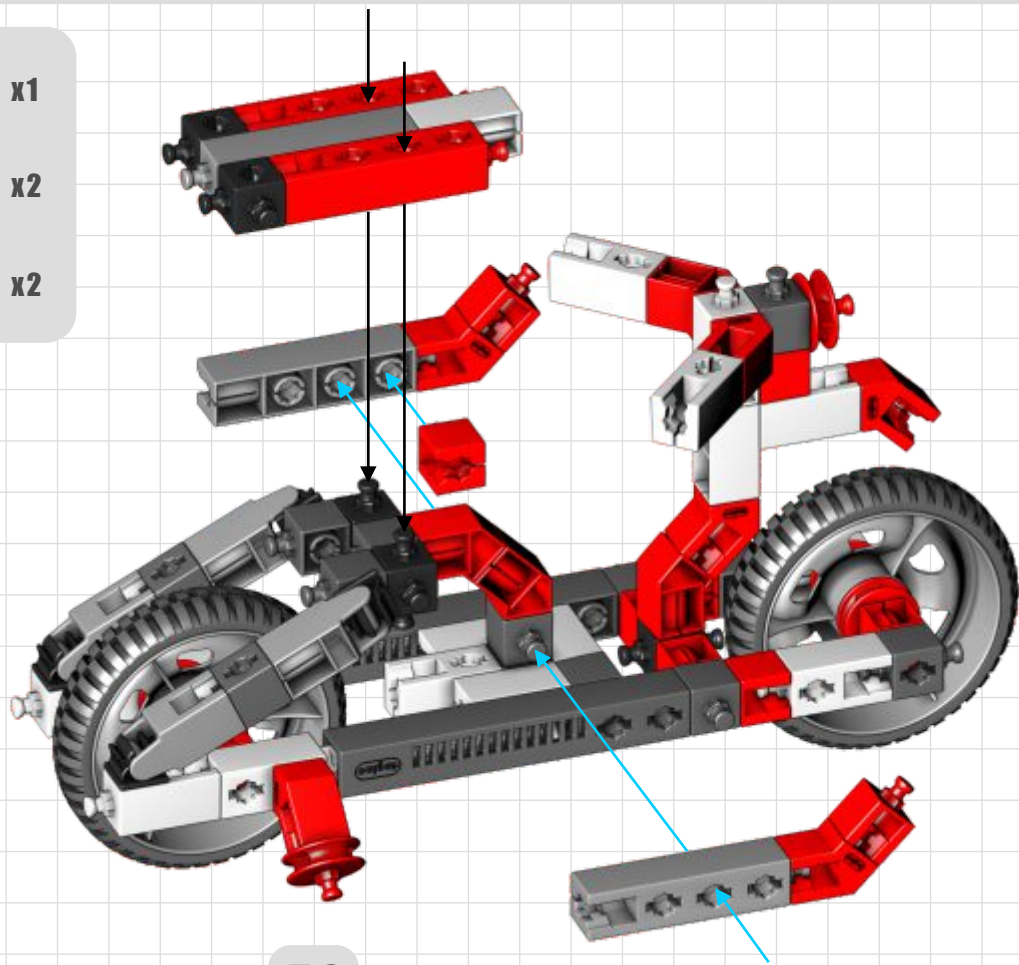
x2

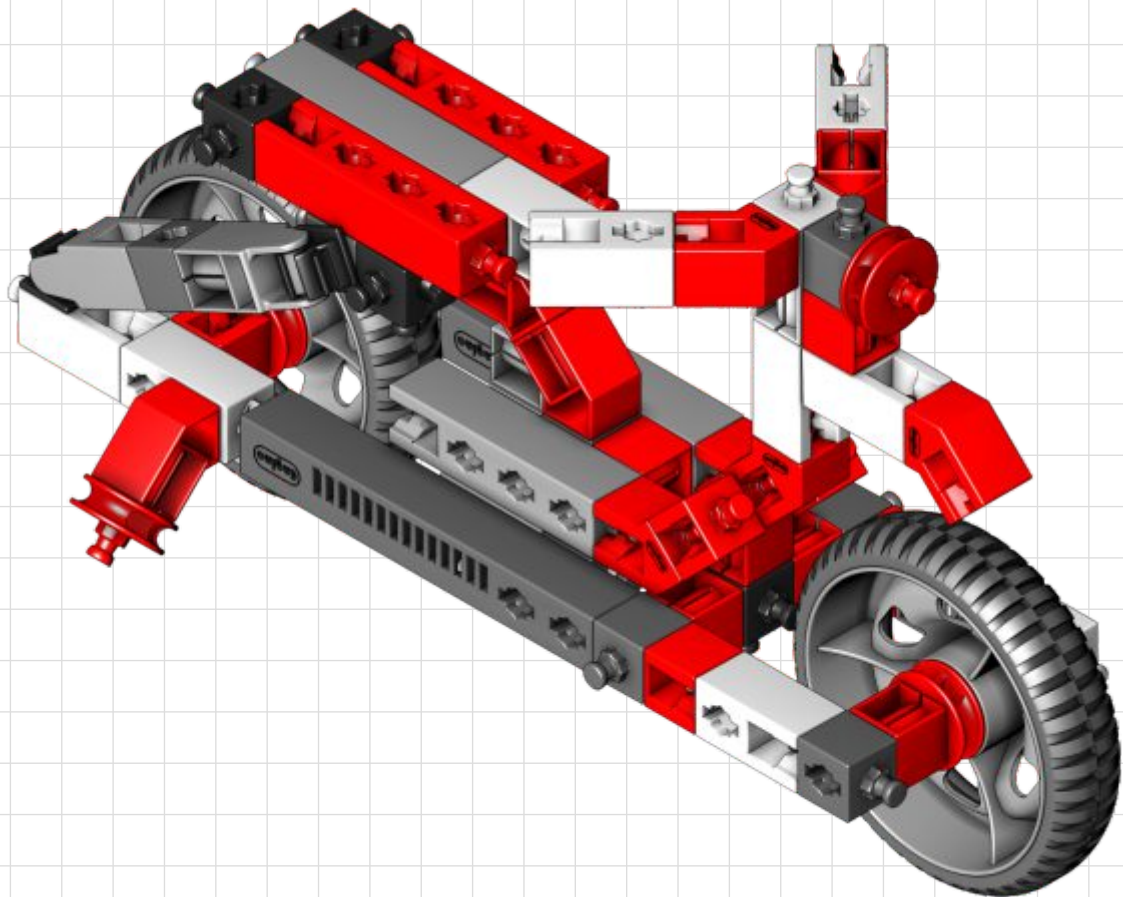


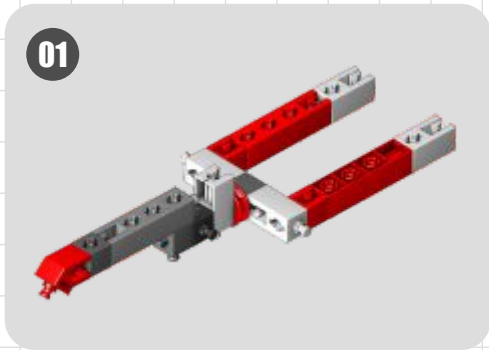
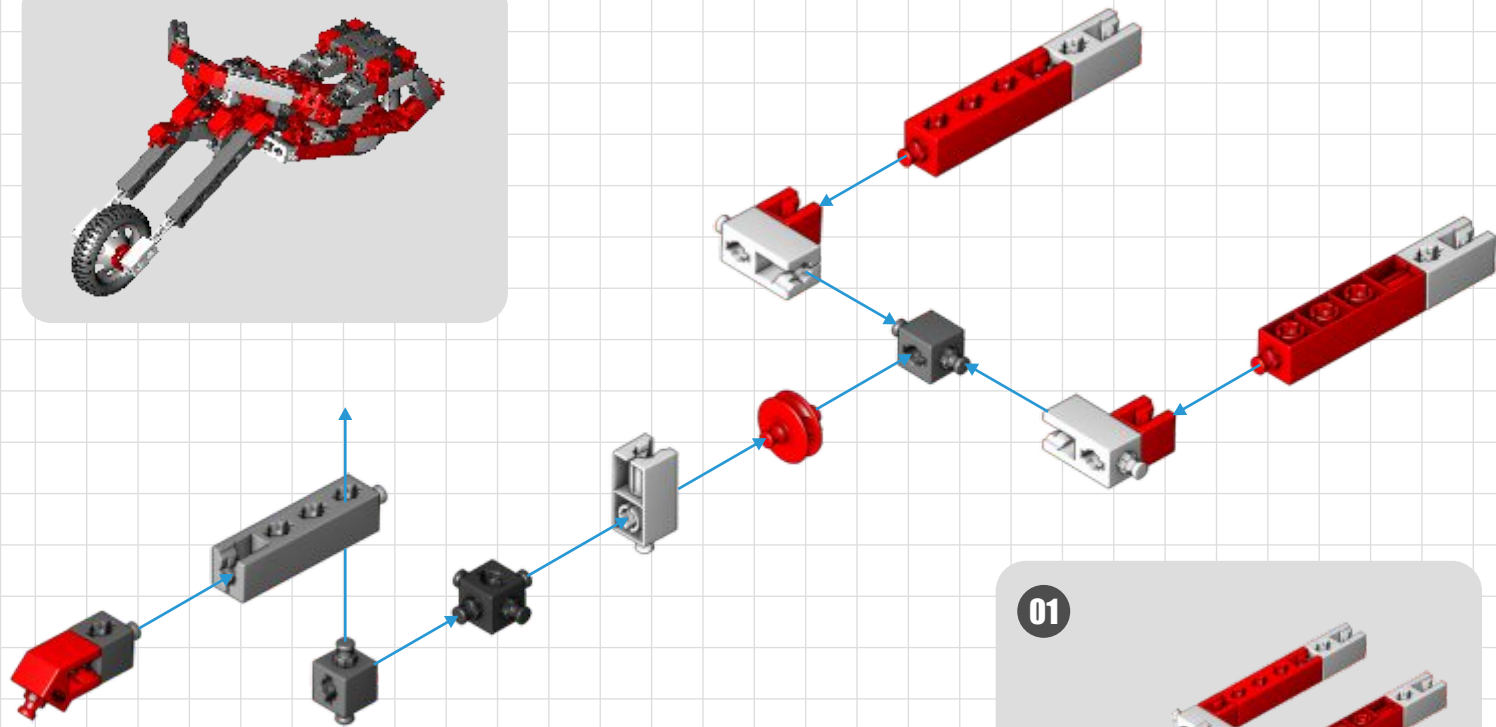
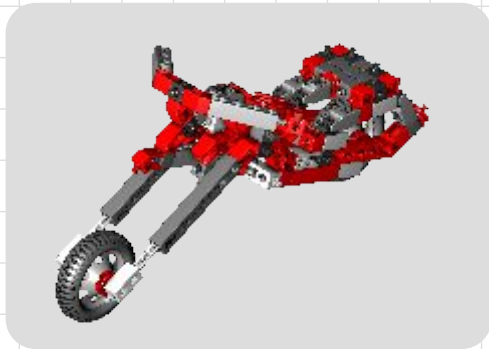
x3

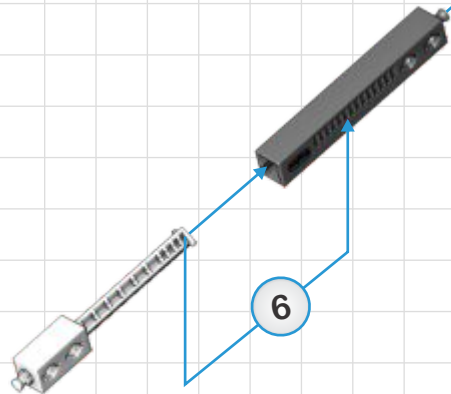
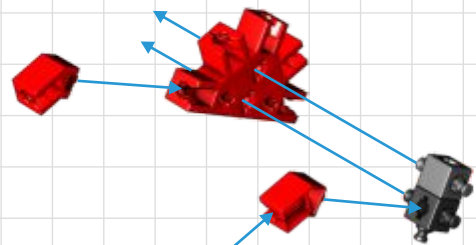
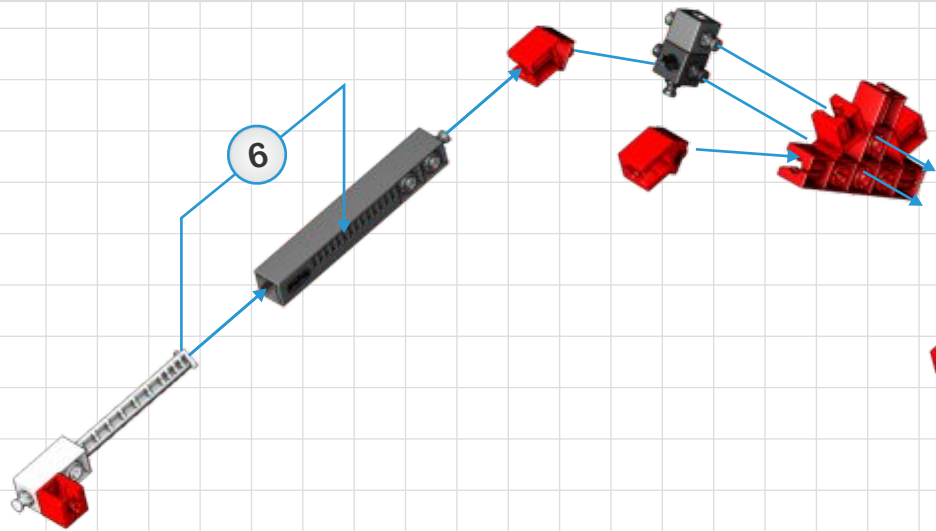


x2

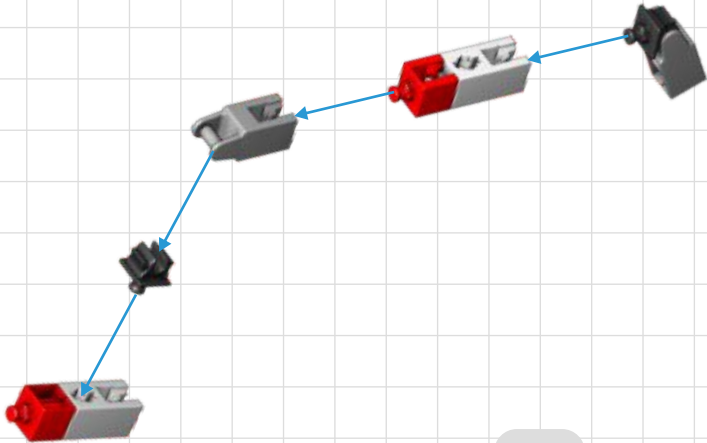
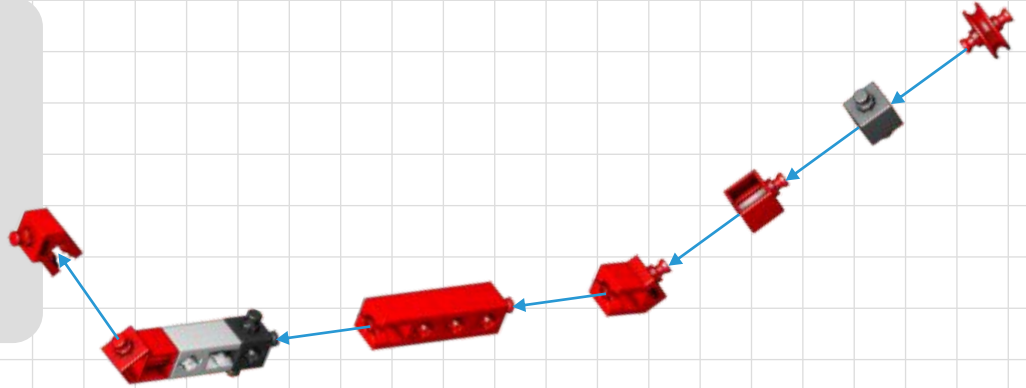








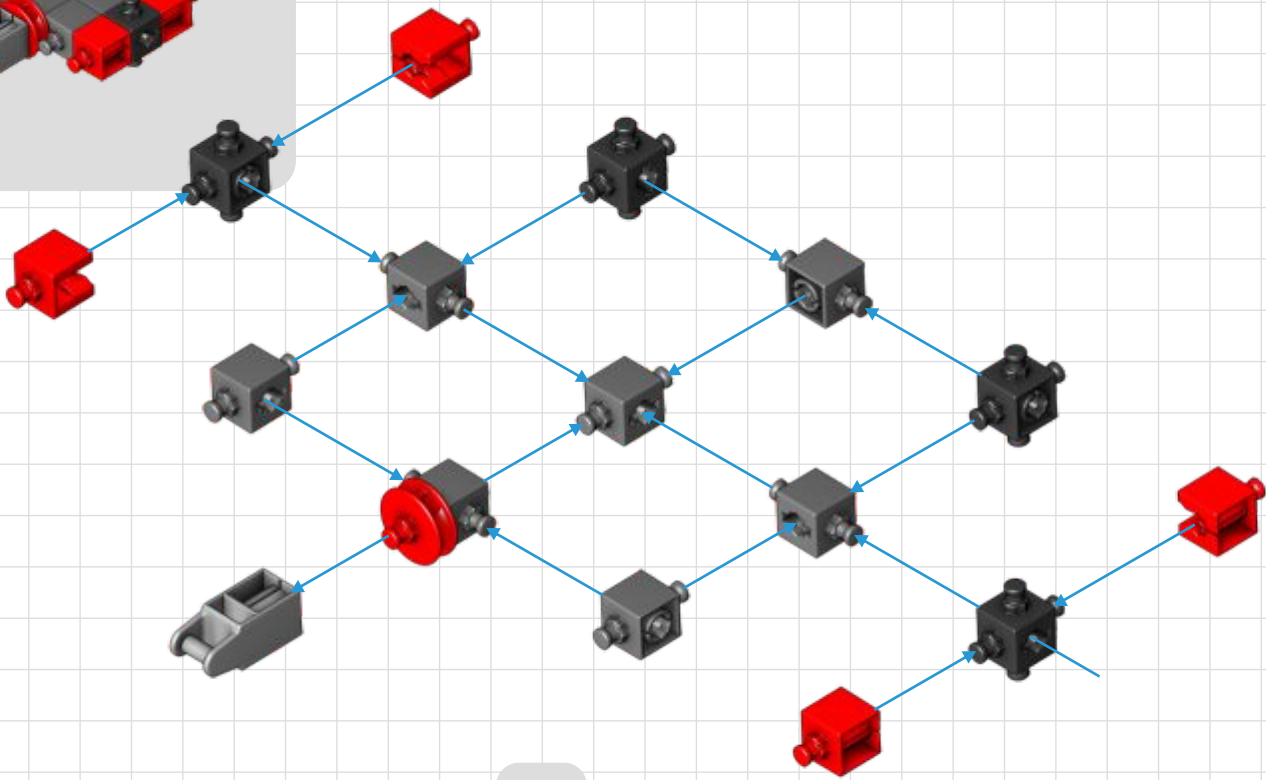
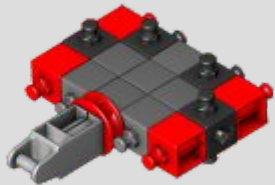
03 (x2)



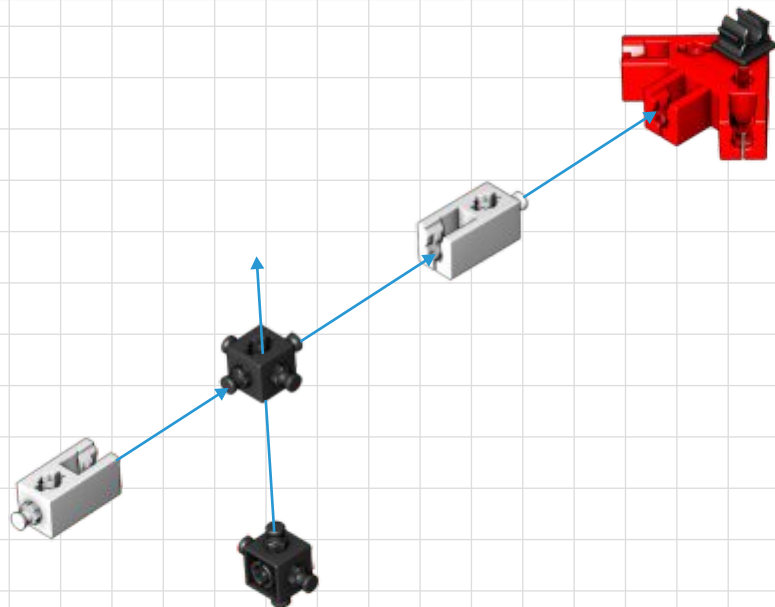
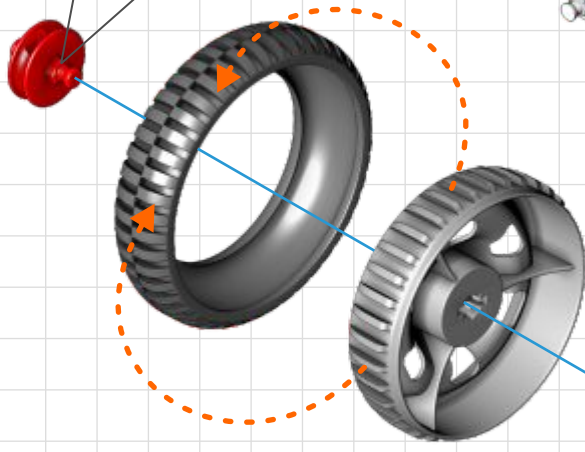
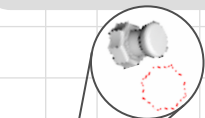
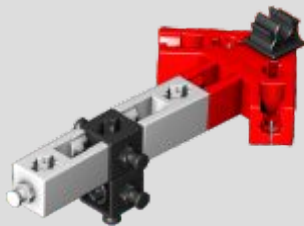
04 (x2)



05



06

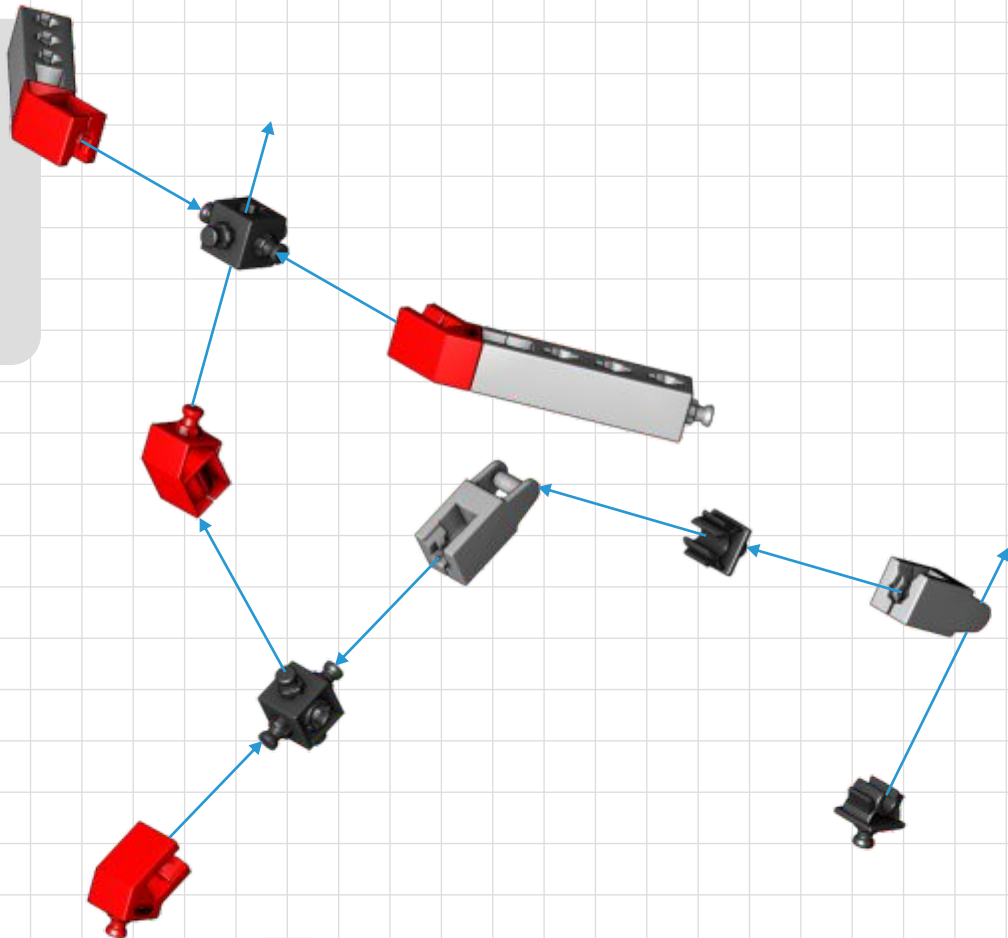


07

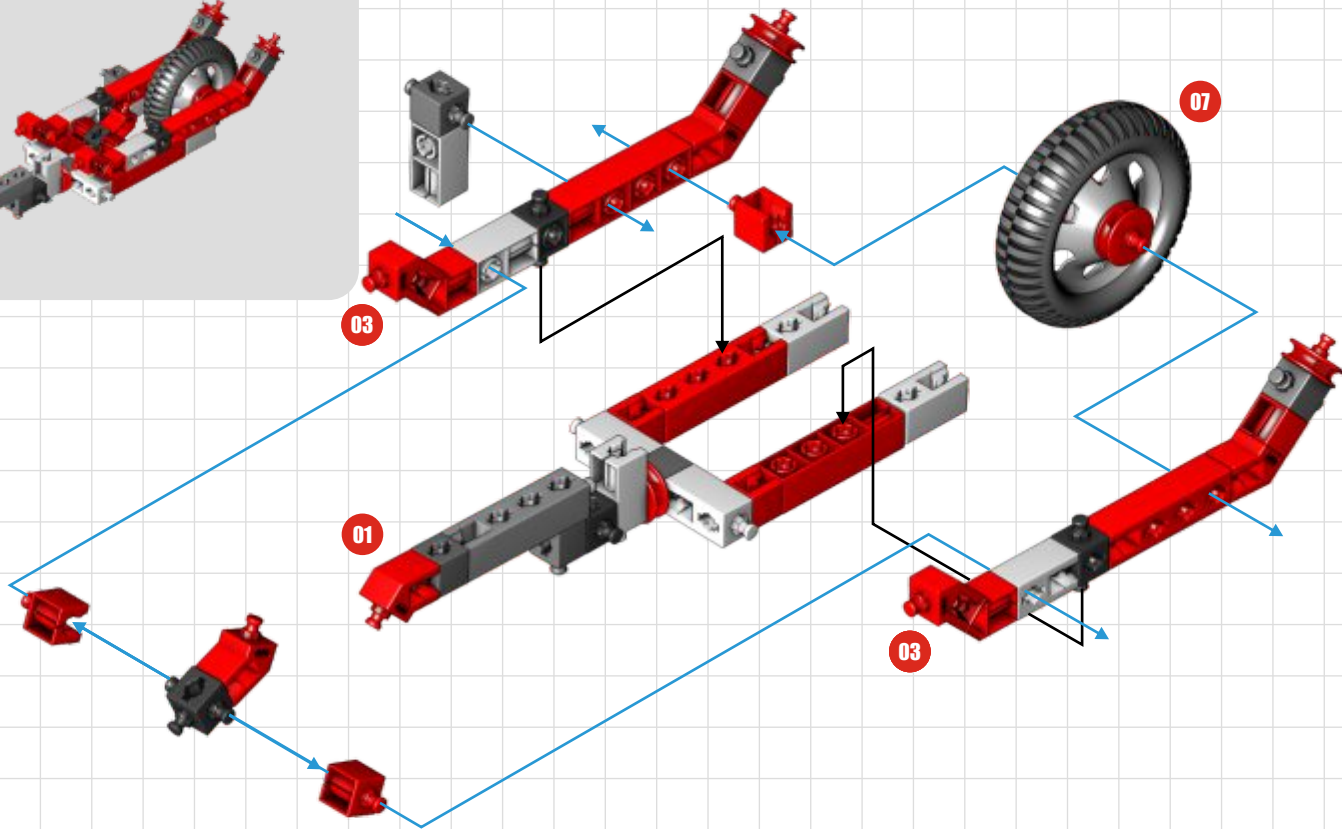
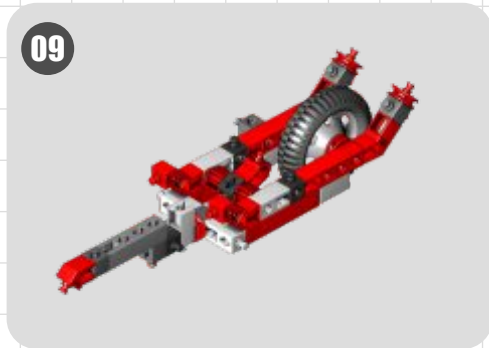
x2

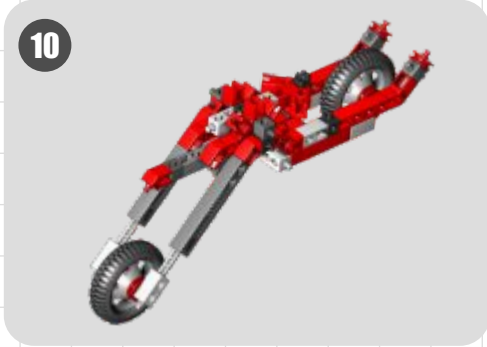
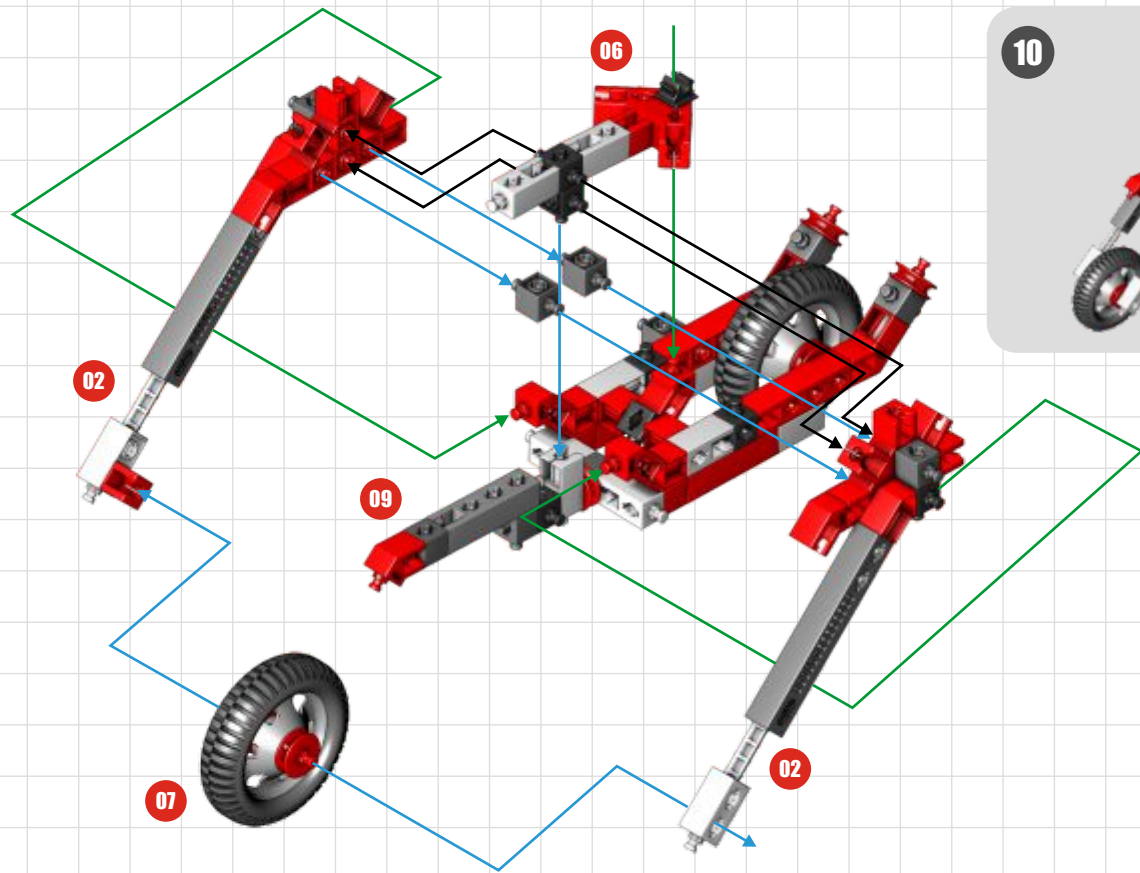


08

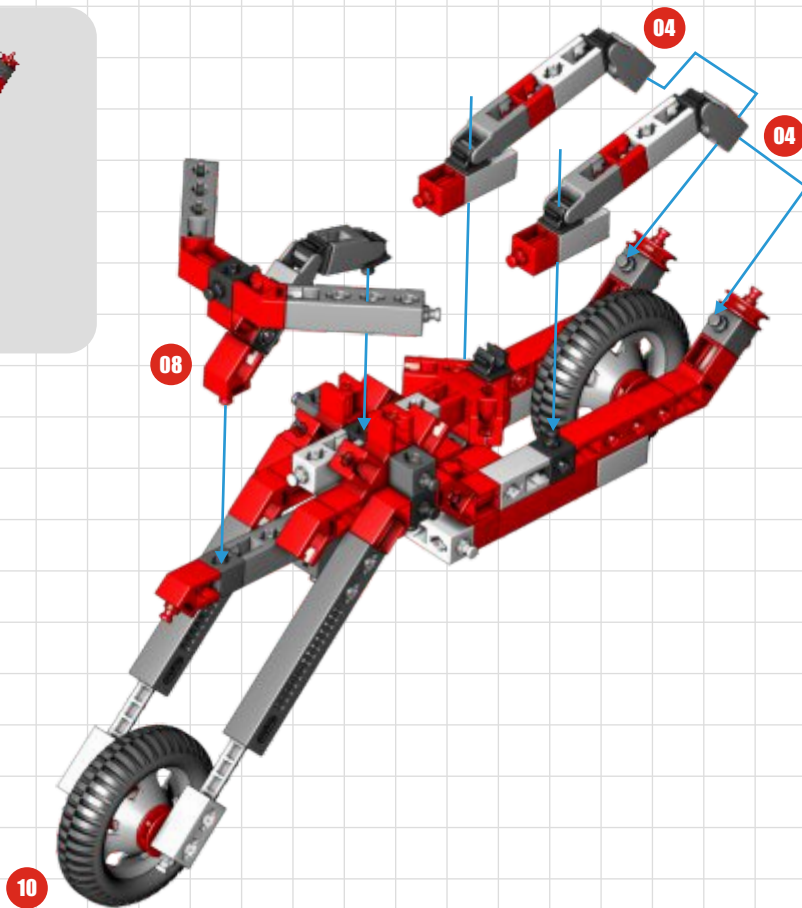
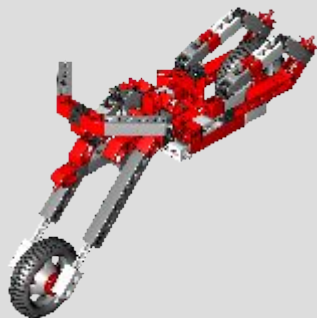


09

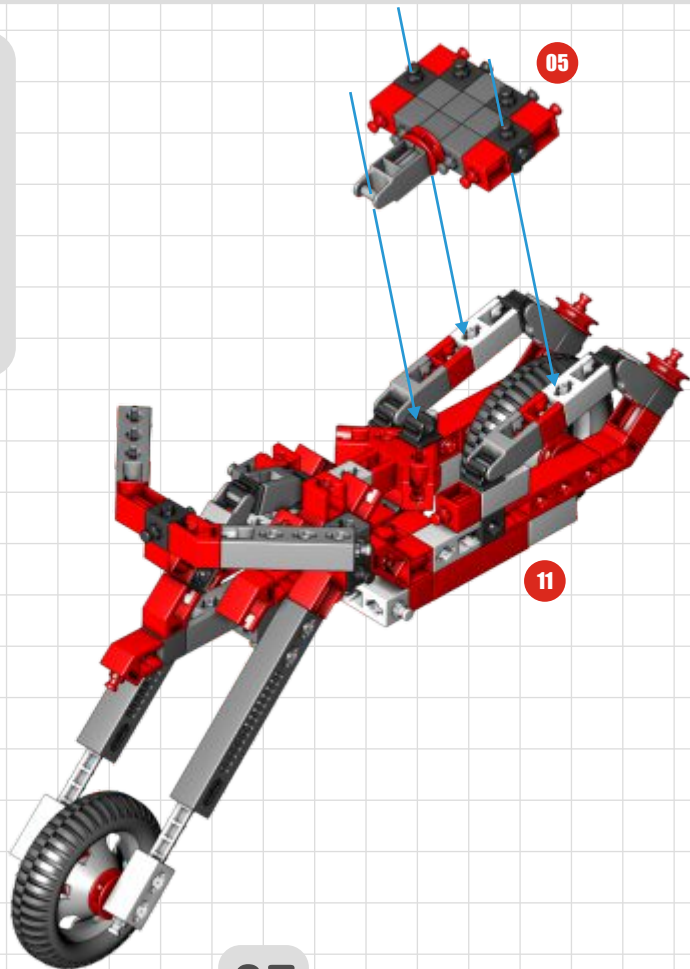
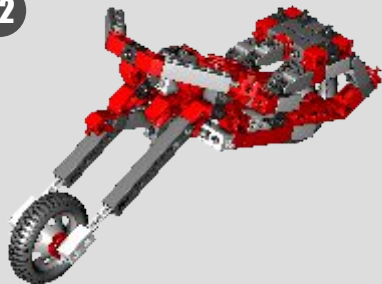


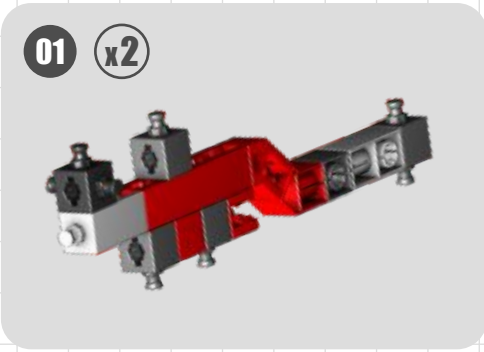
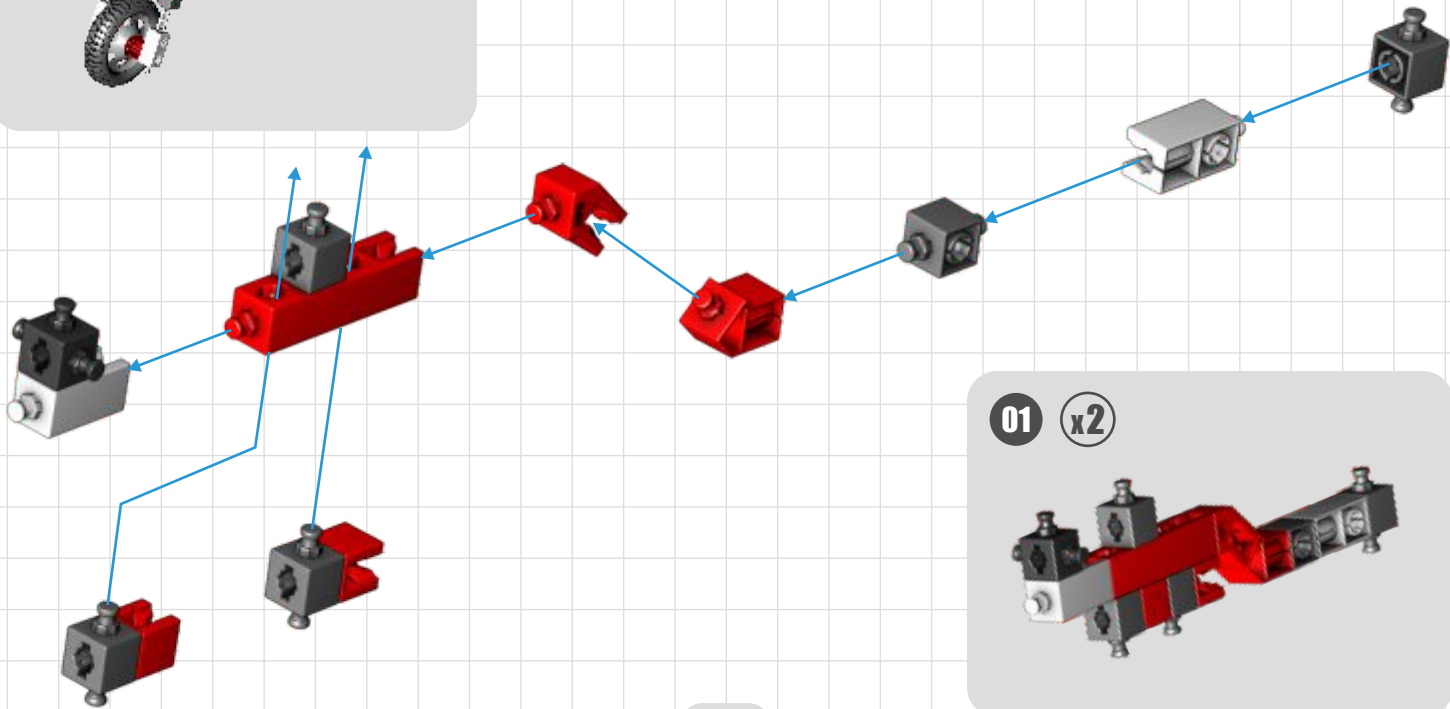
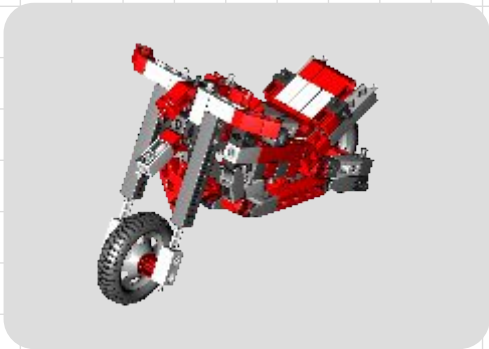


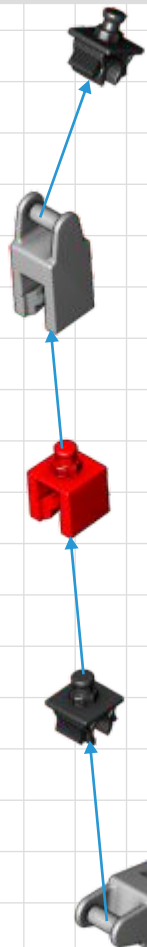
11



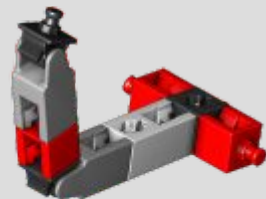
12



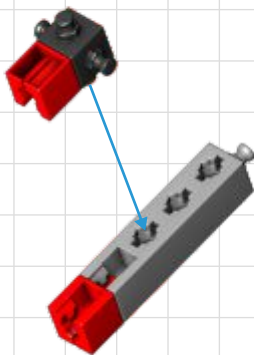




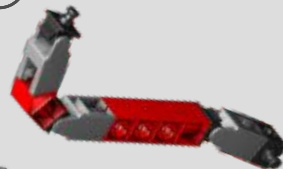
02



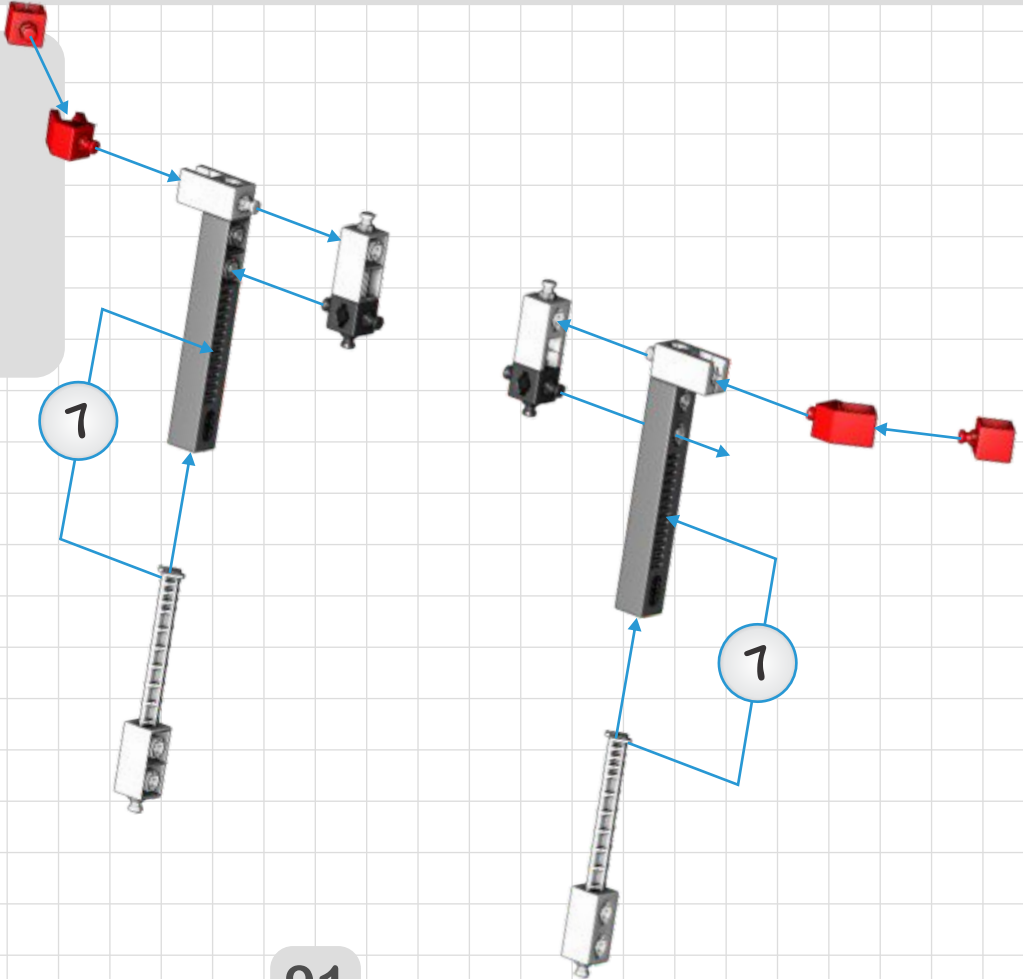
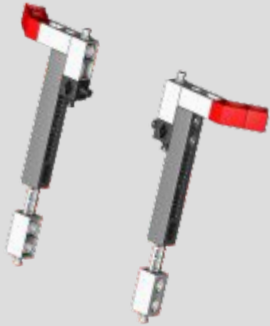
03 x2



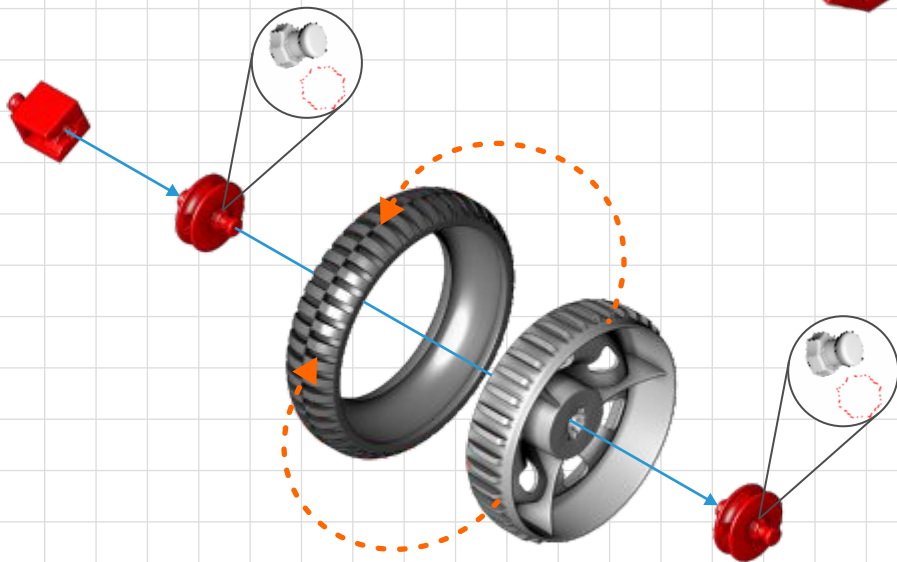
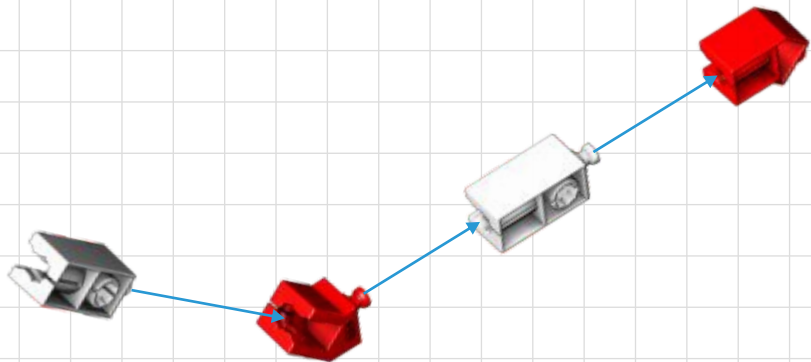
04 x2



05

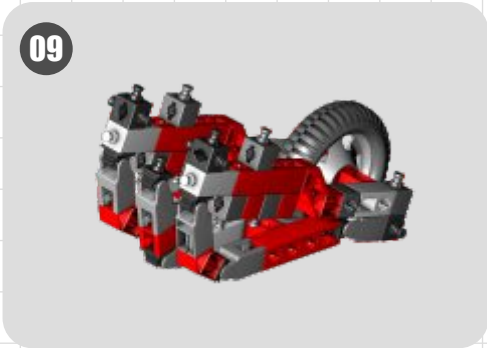
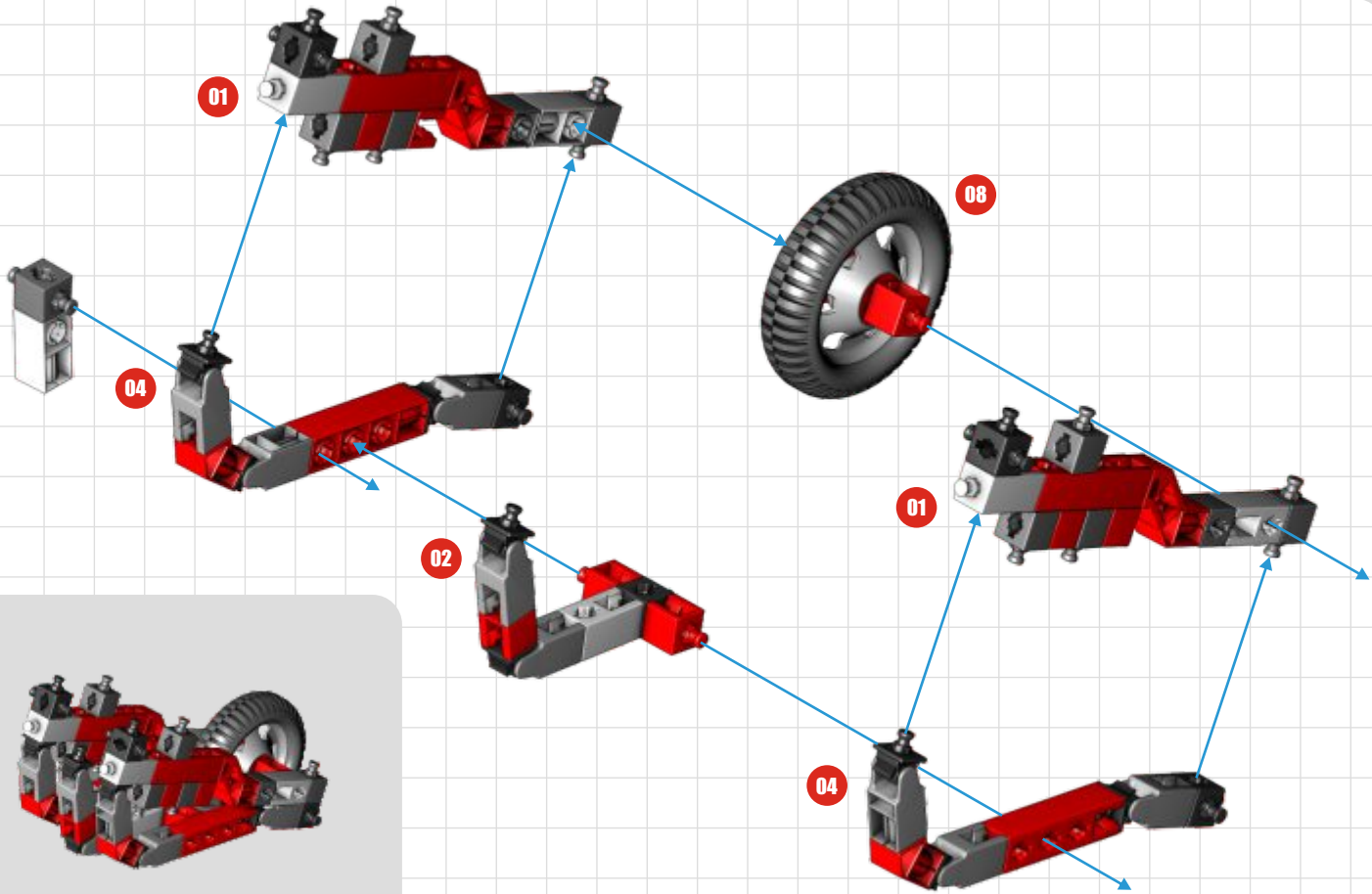


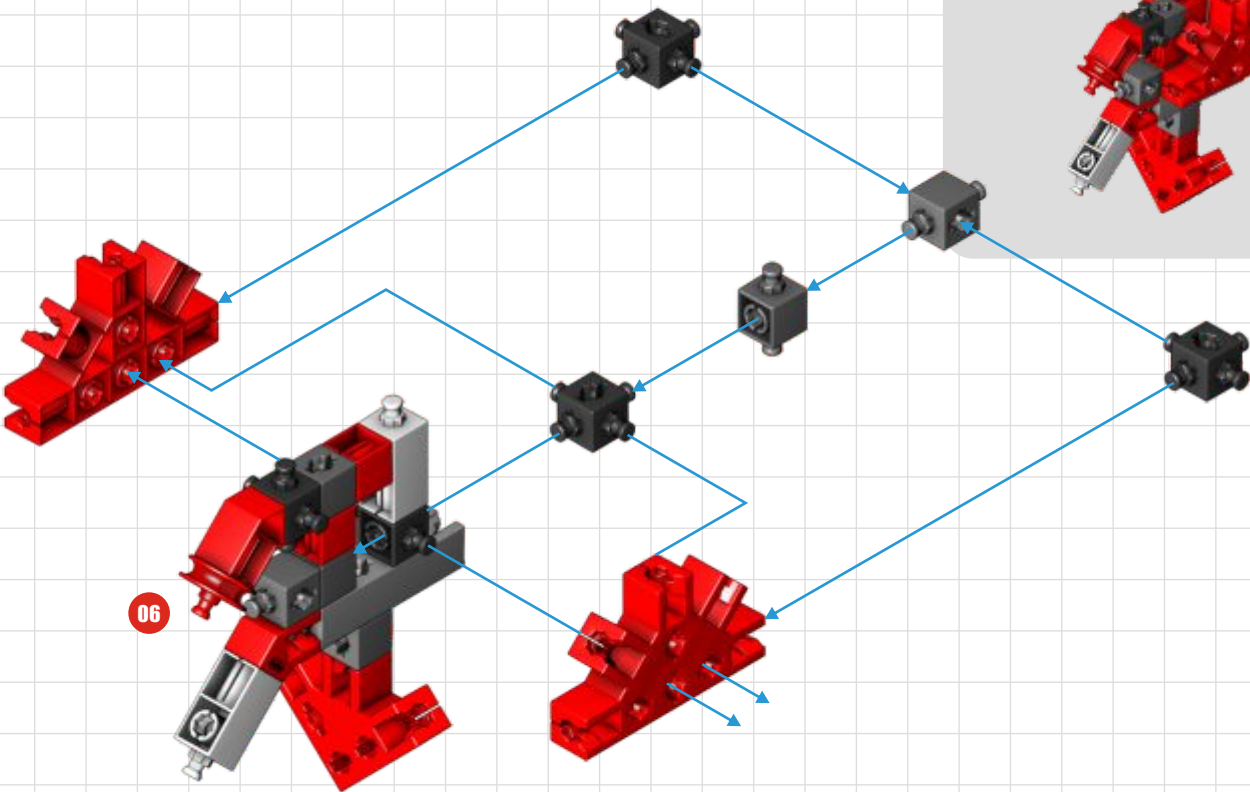
07 x3

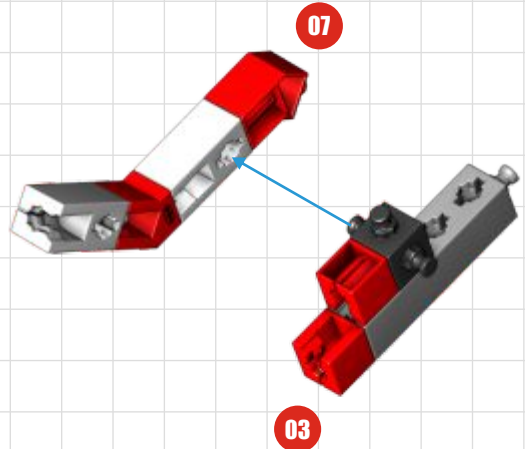
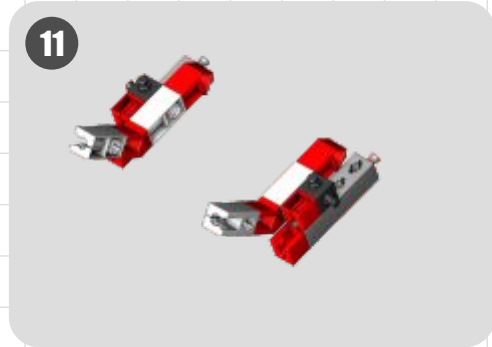
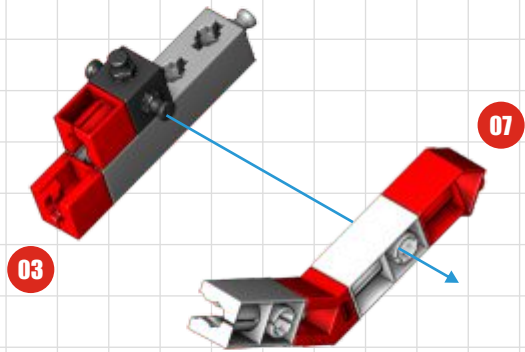


08 x2

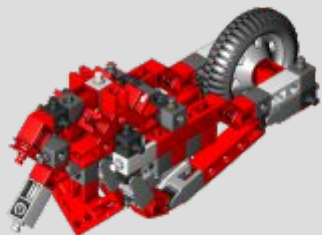




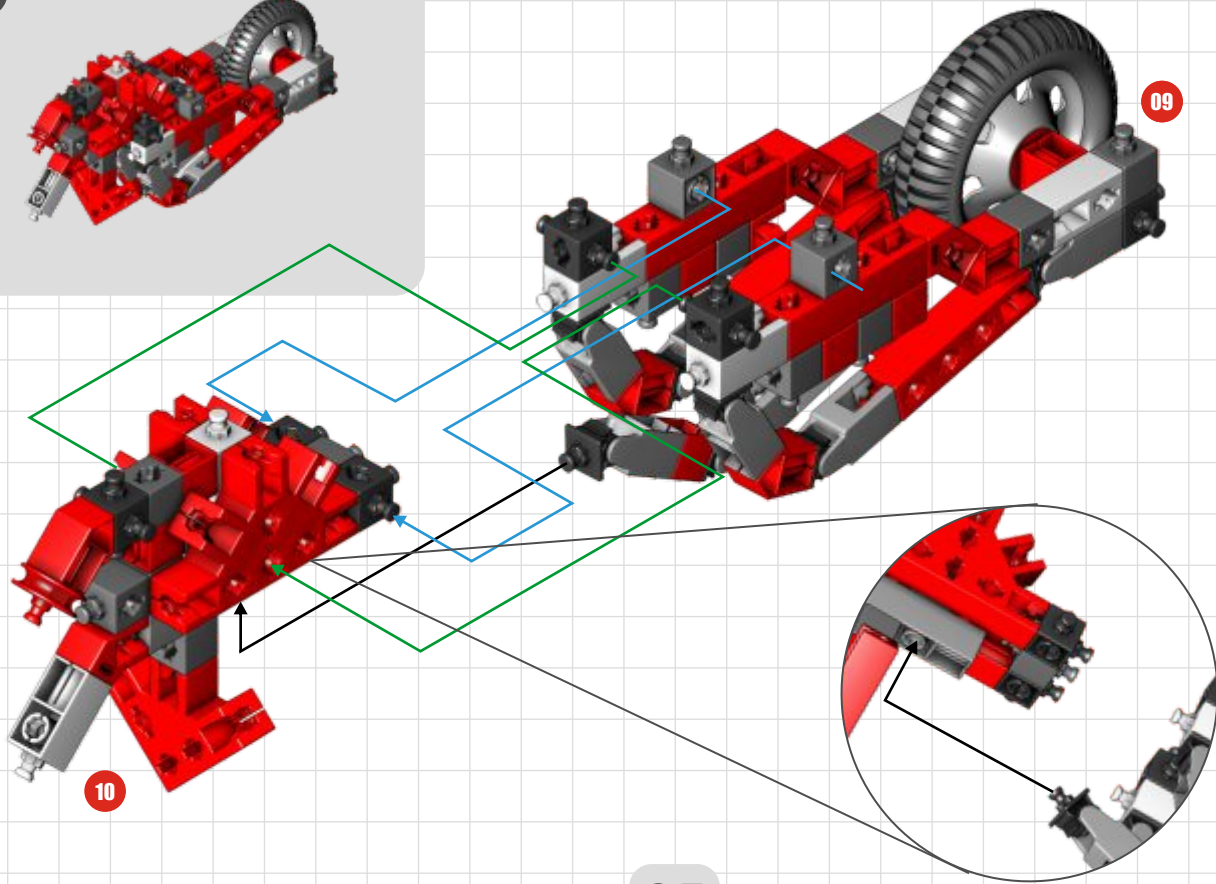




12

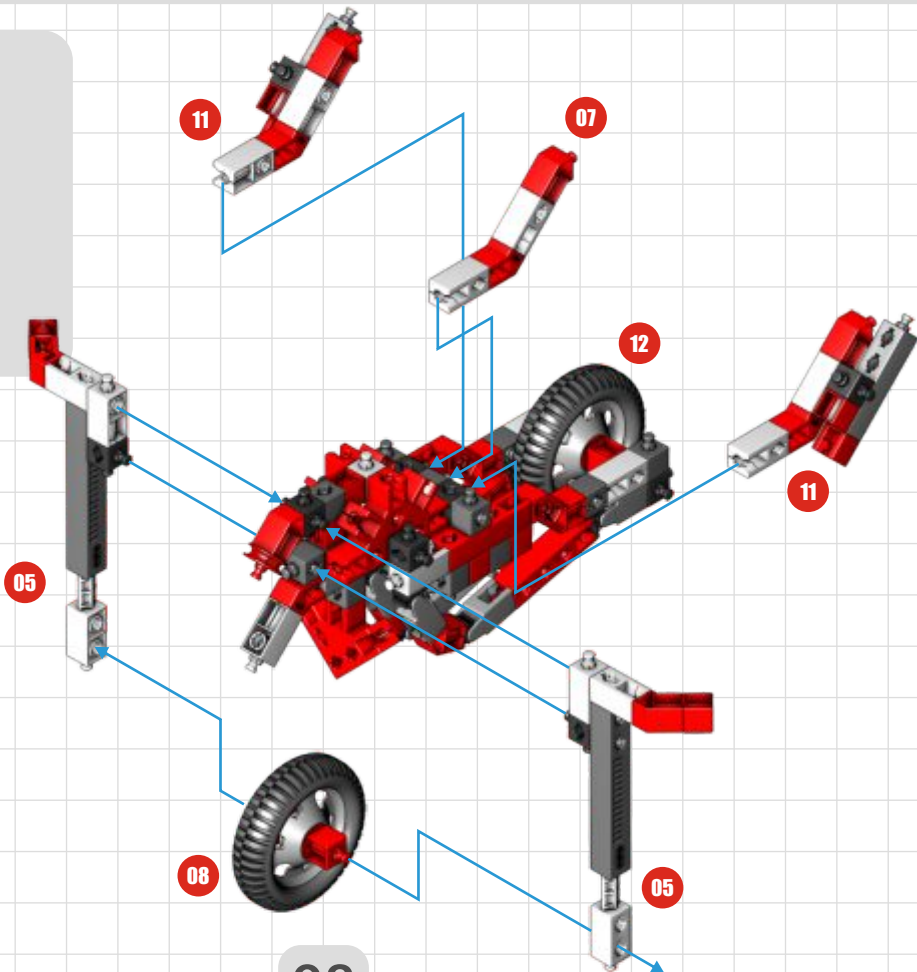
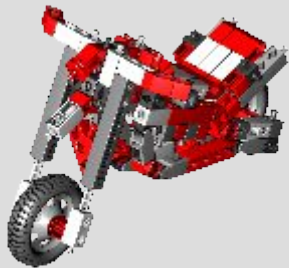


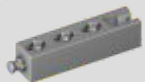
09



10

13





x2



x2



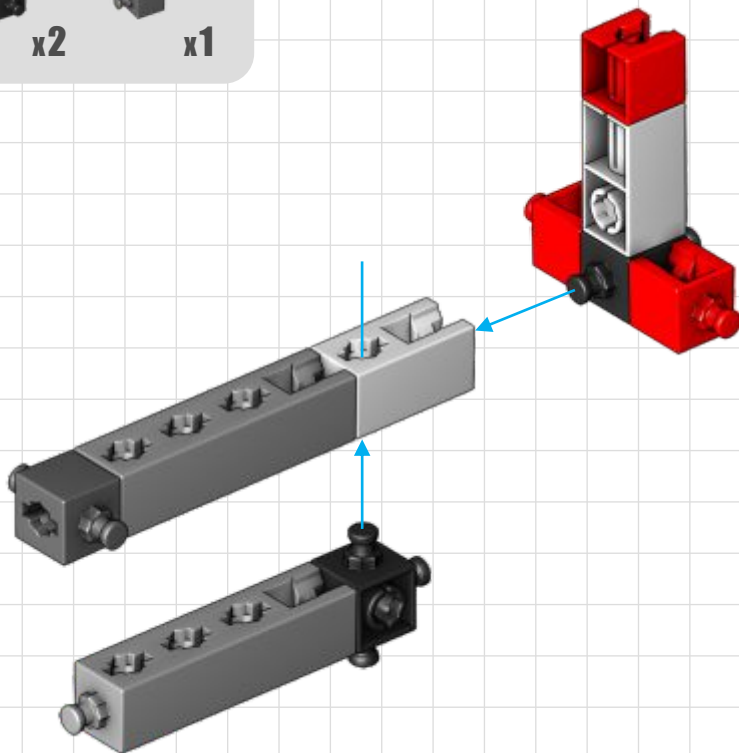
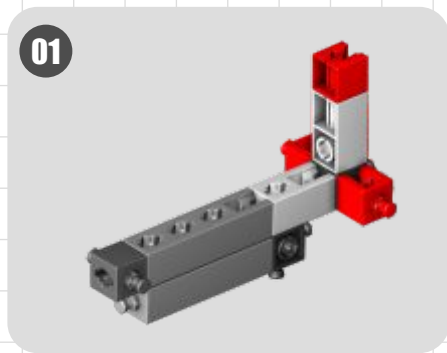
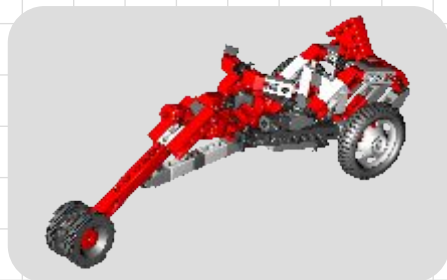
x3

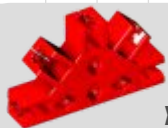


x2



x1





x2



x2



x2



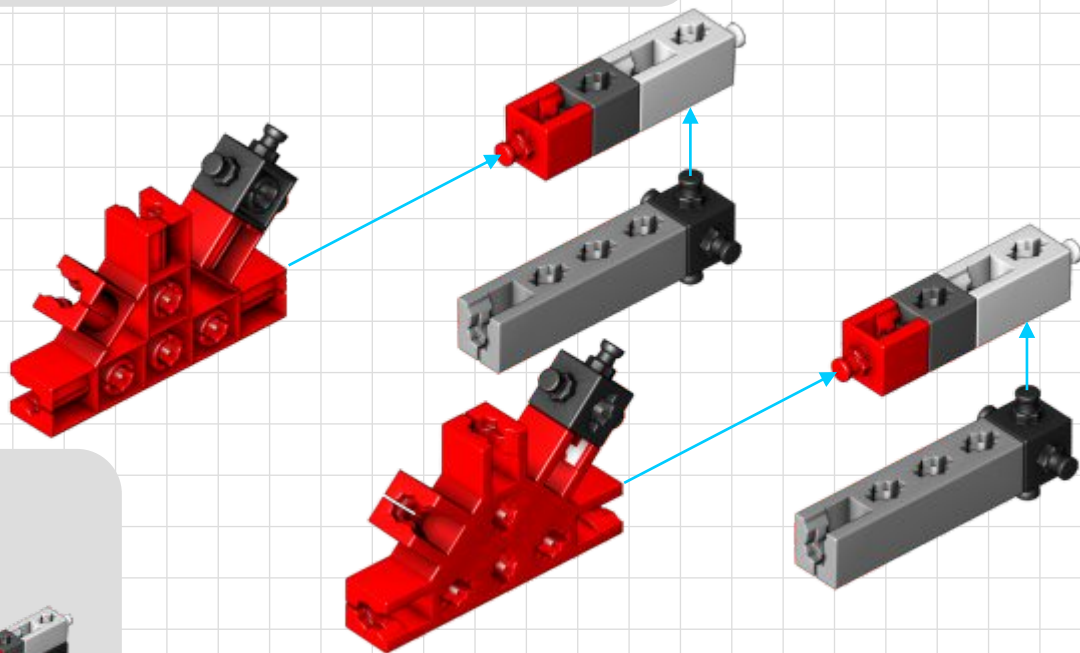
x2



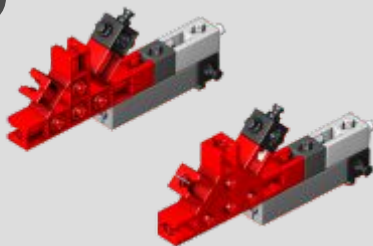
x4



x2



02





x1



x3



x2



x2



x2



x1

02

01

03

02



x4



x1



x1



x3



x1



x1

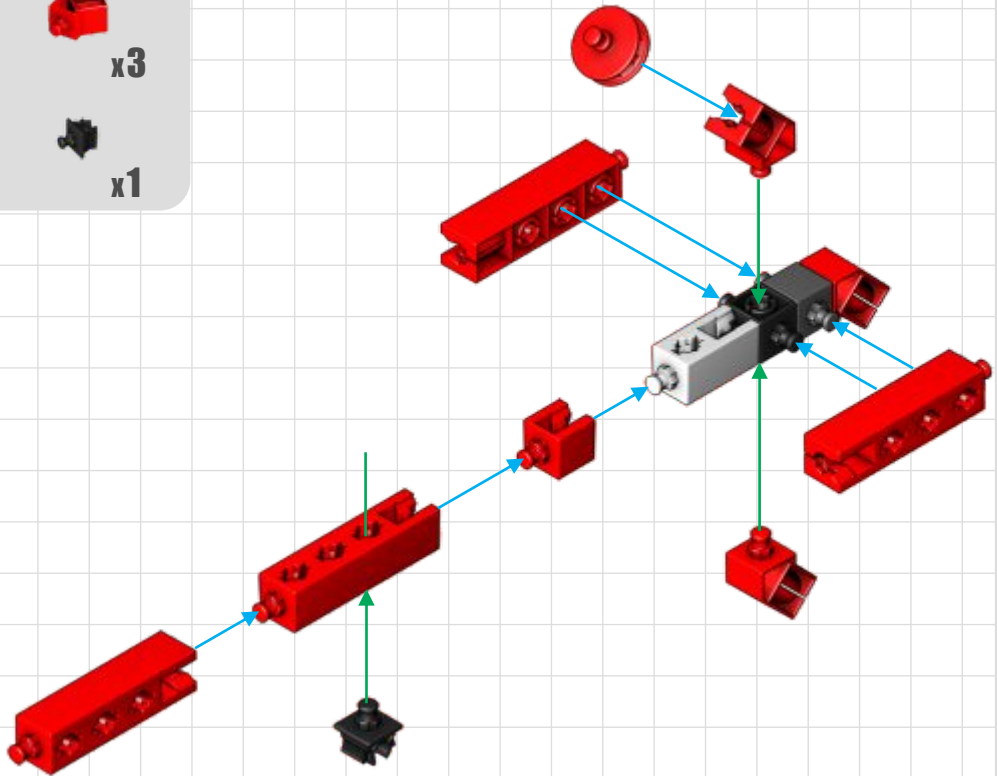
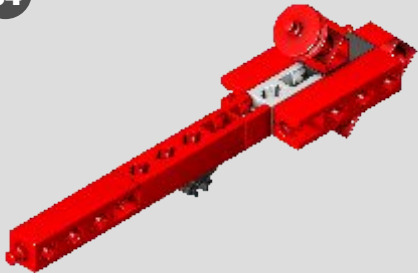


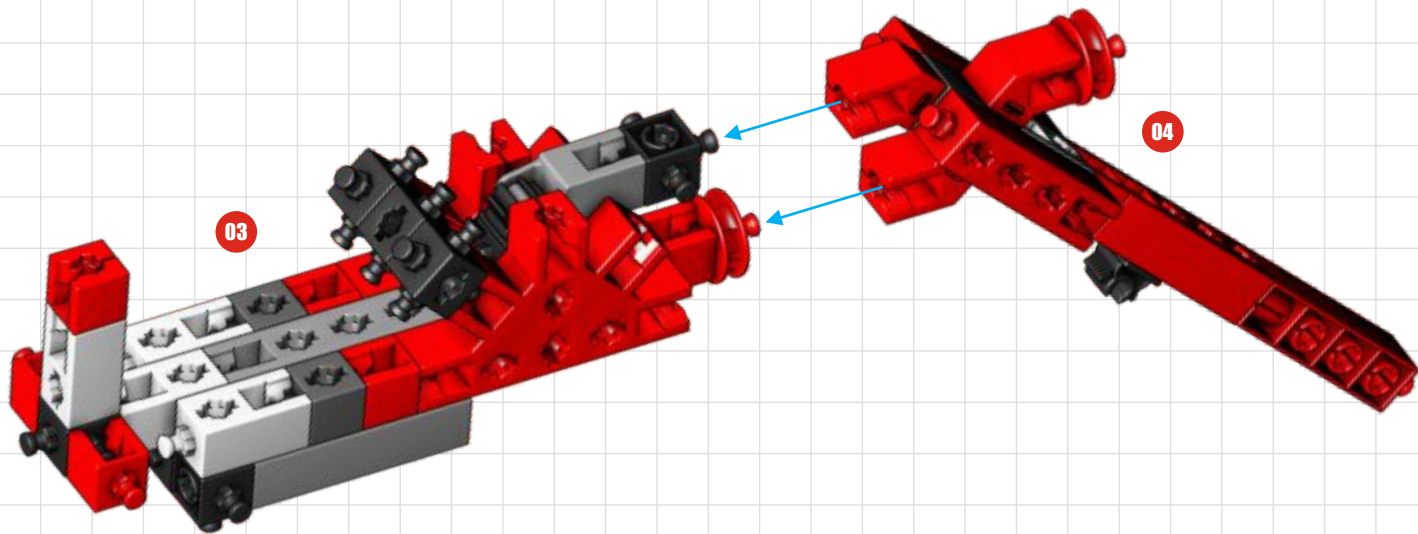
x1



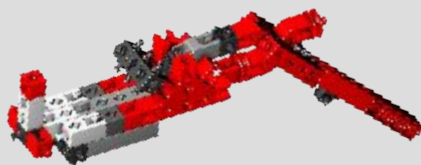
x1

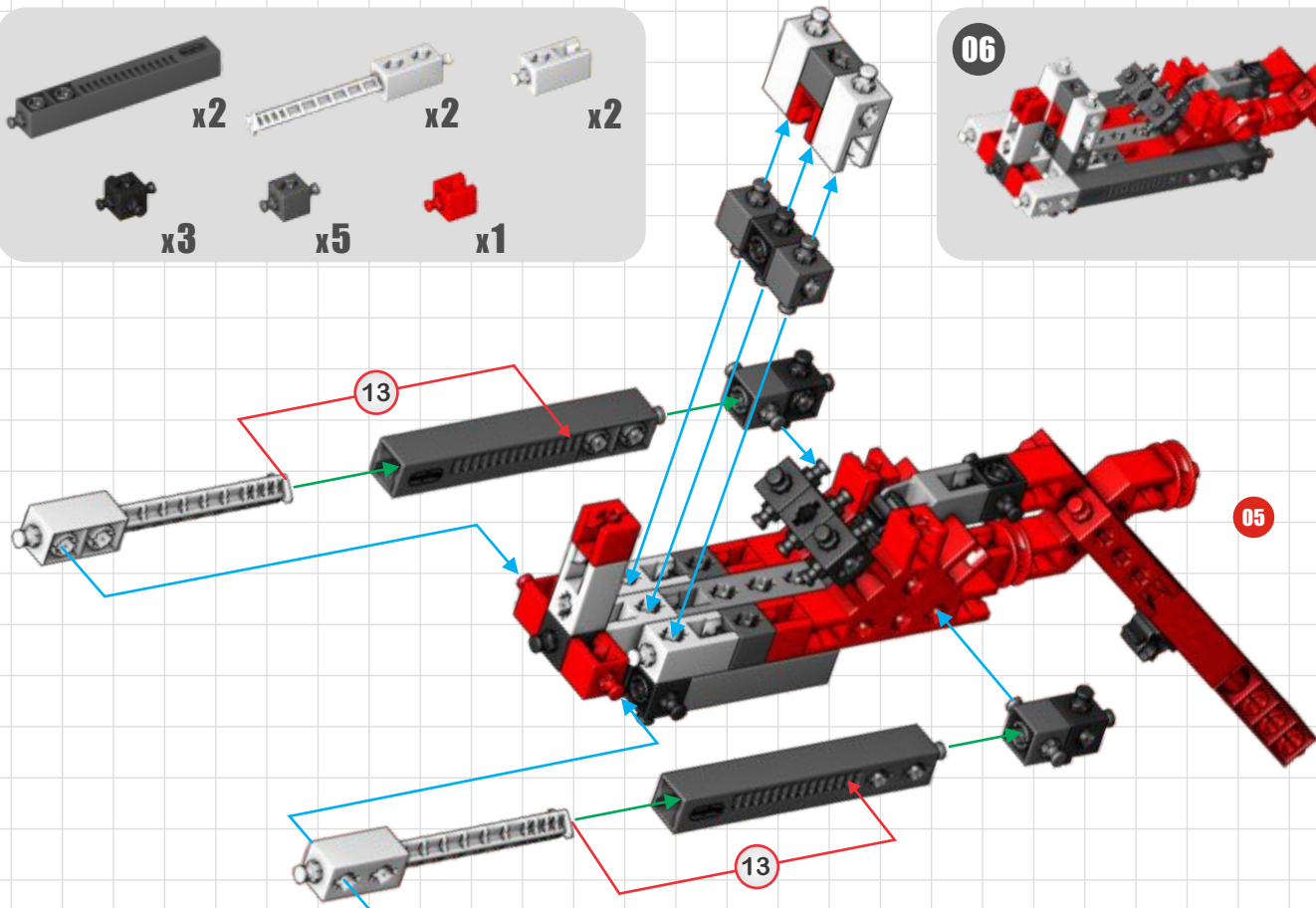
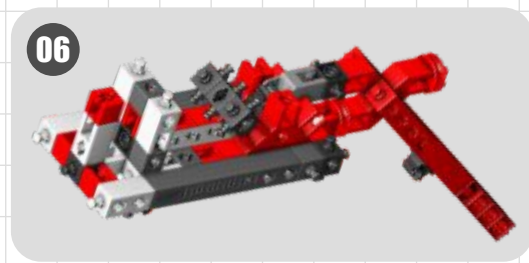
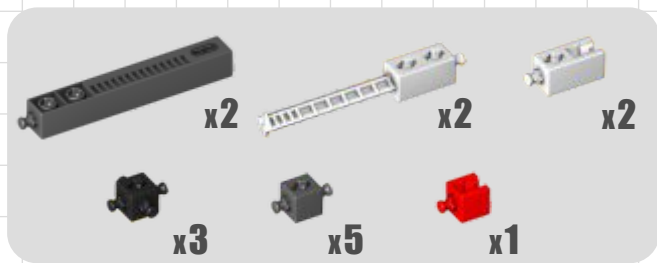
04





05







x3

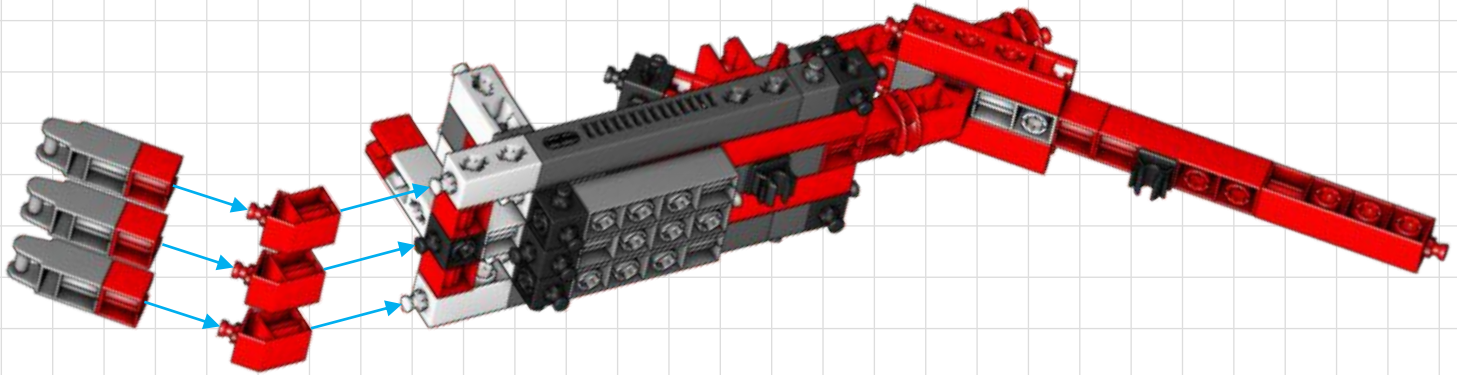


x3

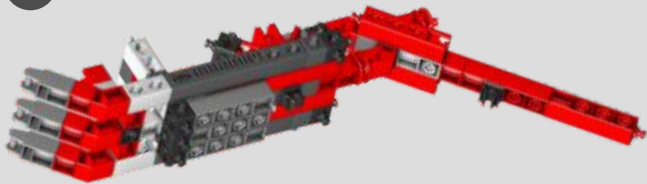


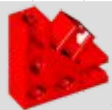
x3

06



07





x1



x5



x5



x2



x1

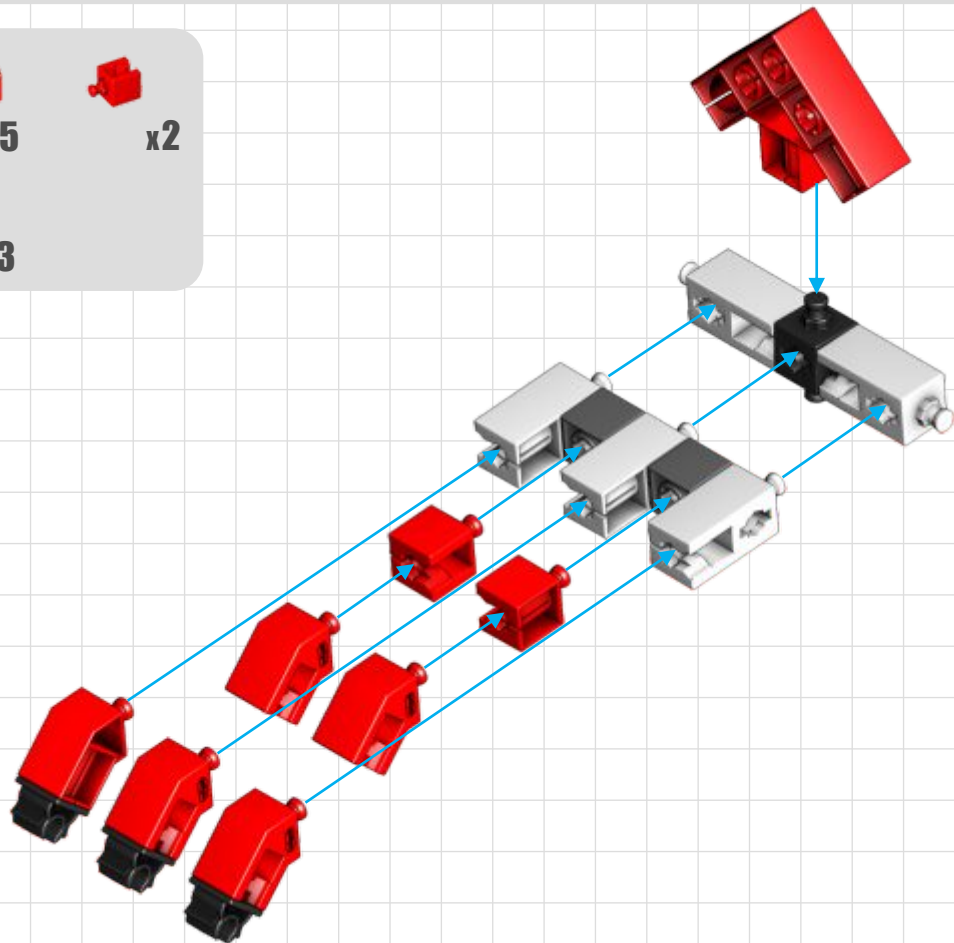
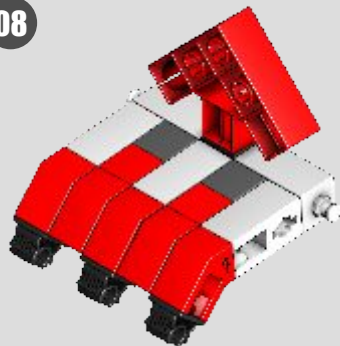


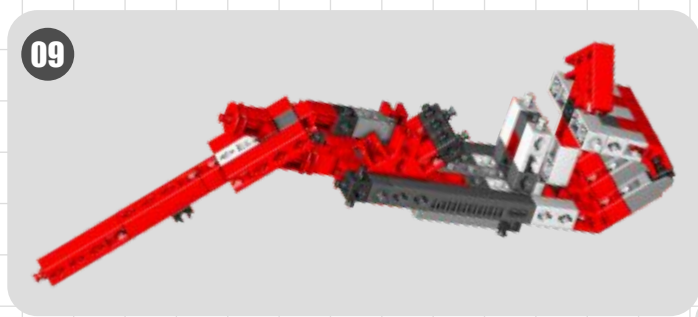
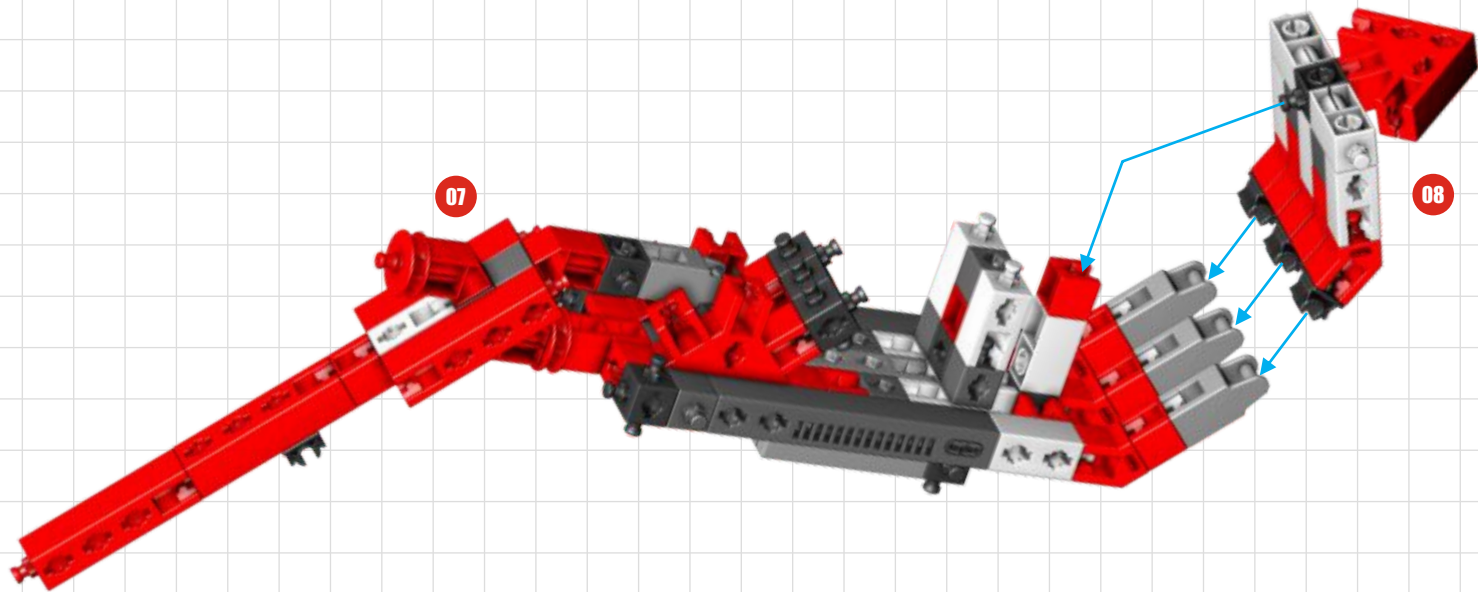
x2



x3

08







x2



x2



x2



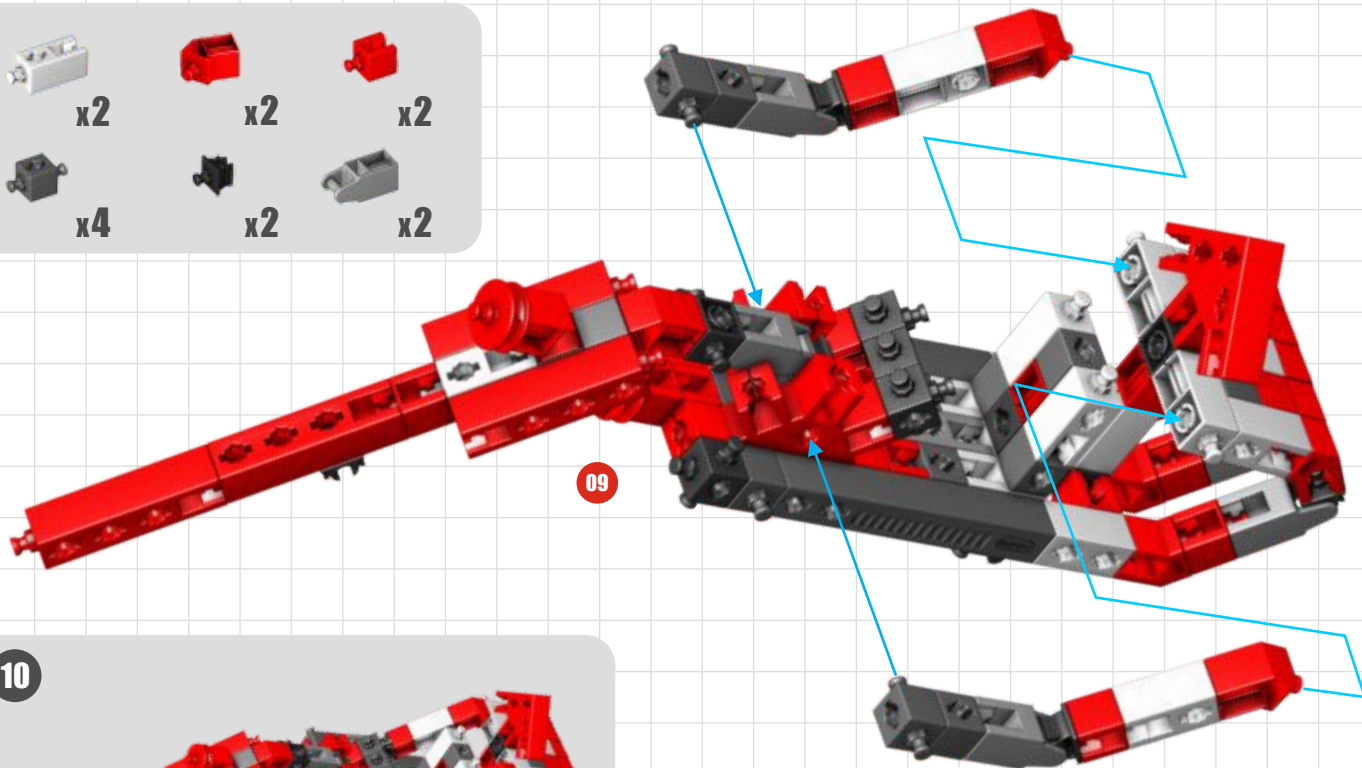
x4



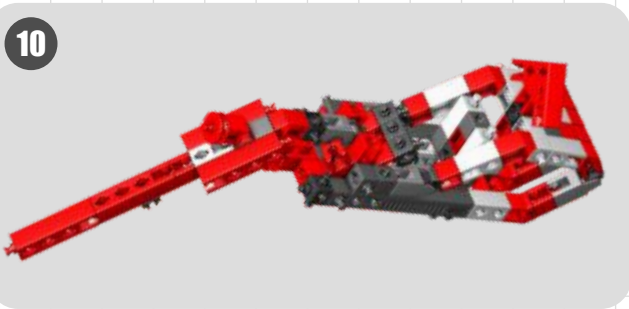
x2



x2



09



10



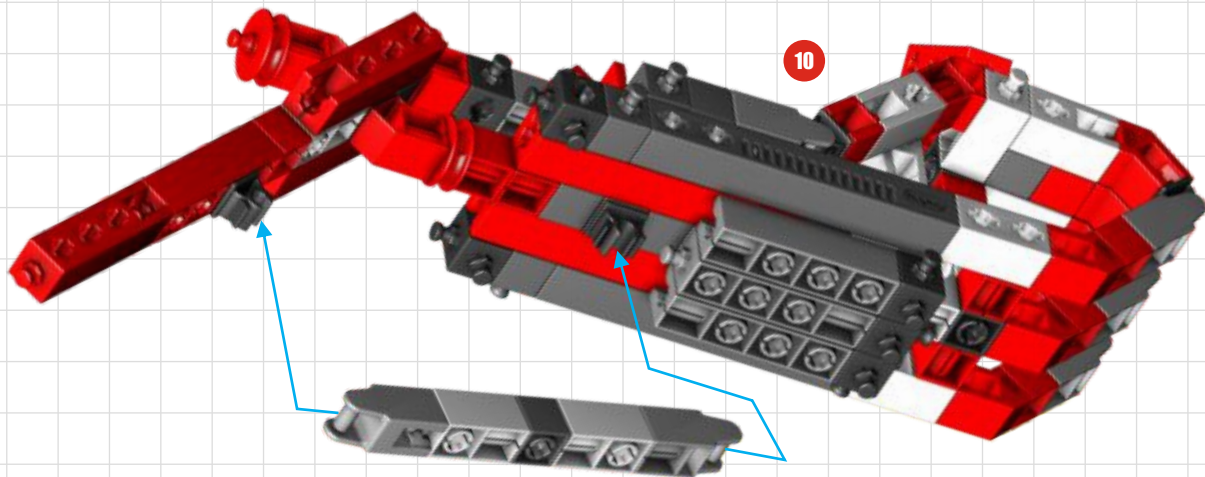
x2



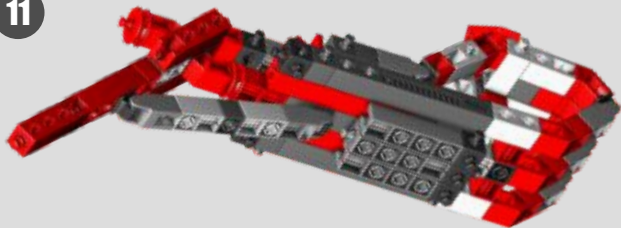
x2

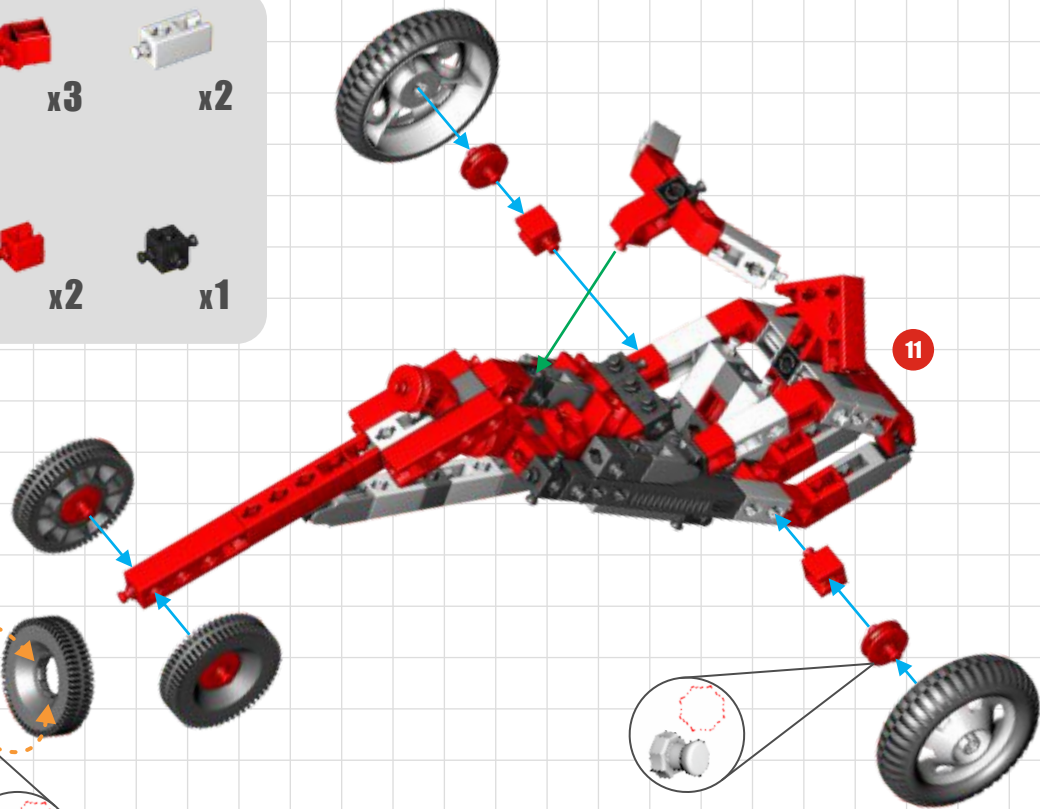
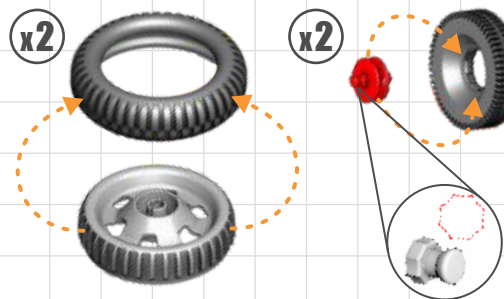
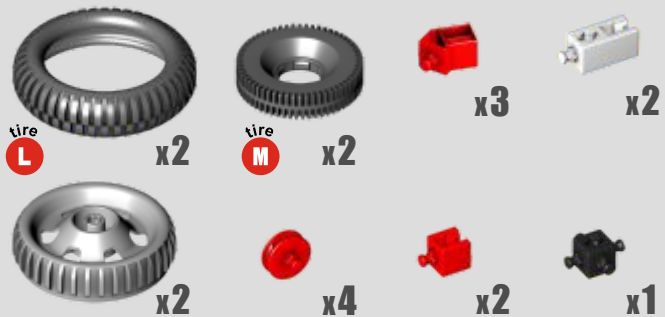


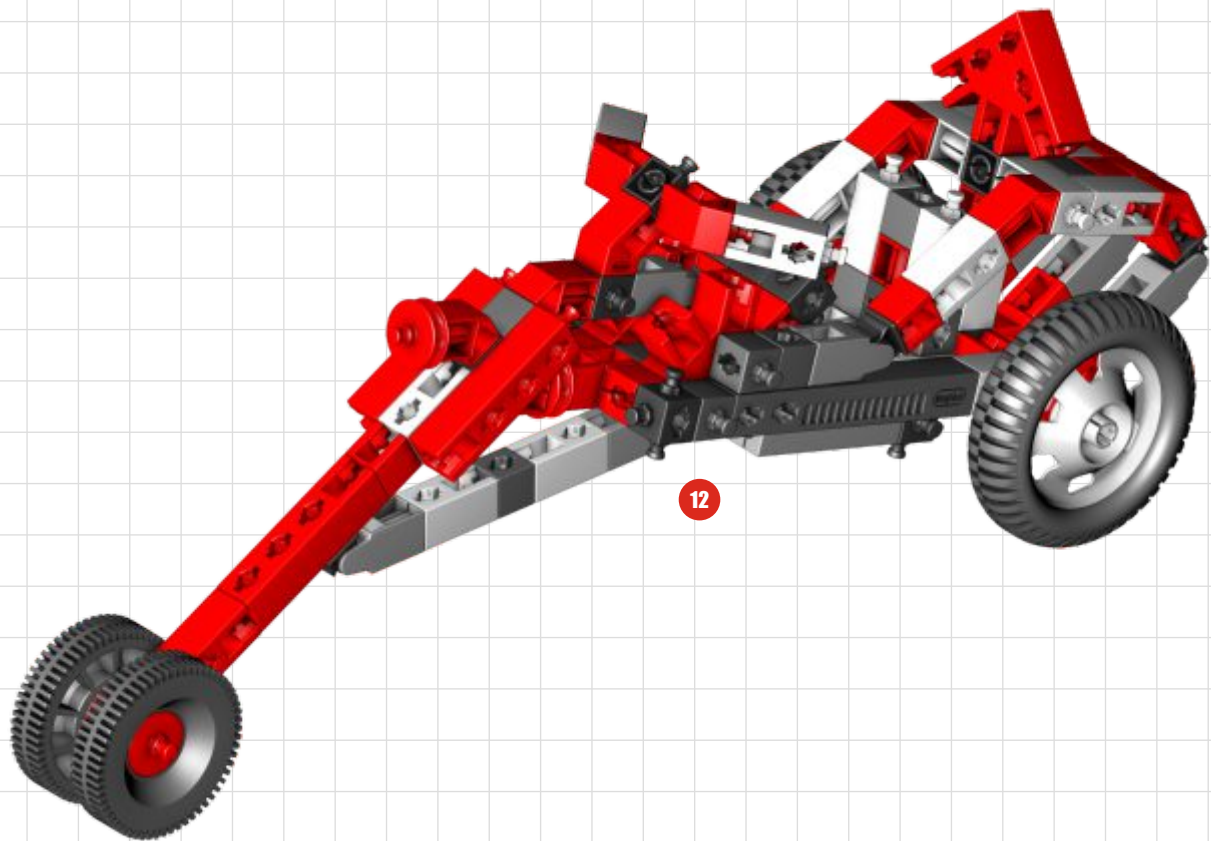
x1



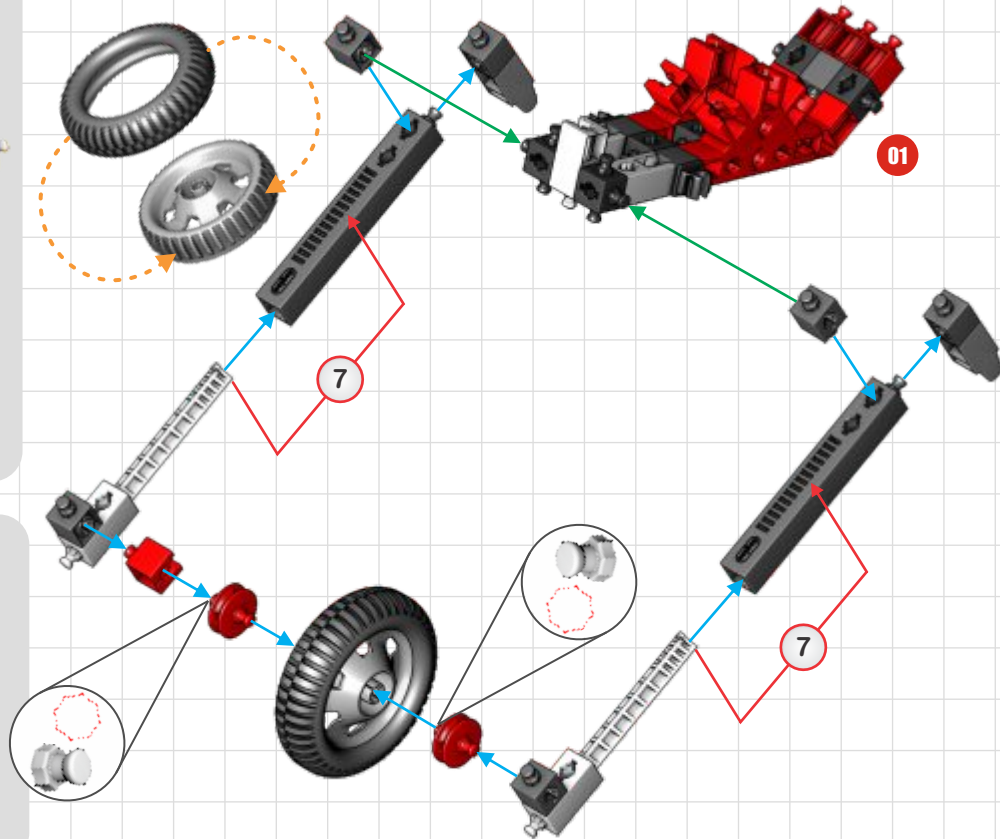
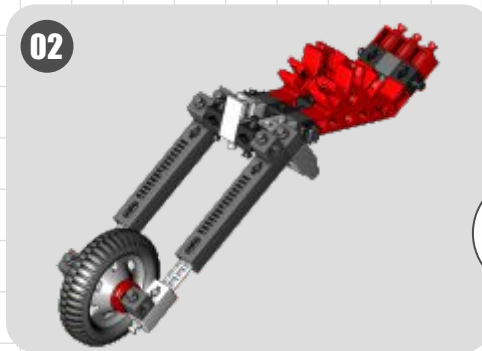
11







12





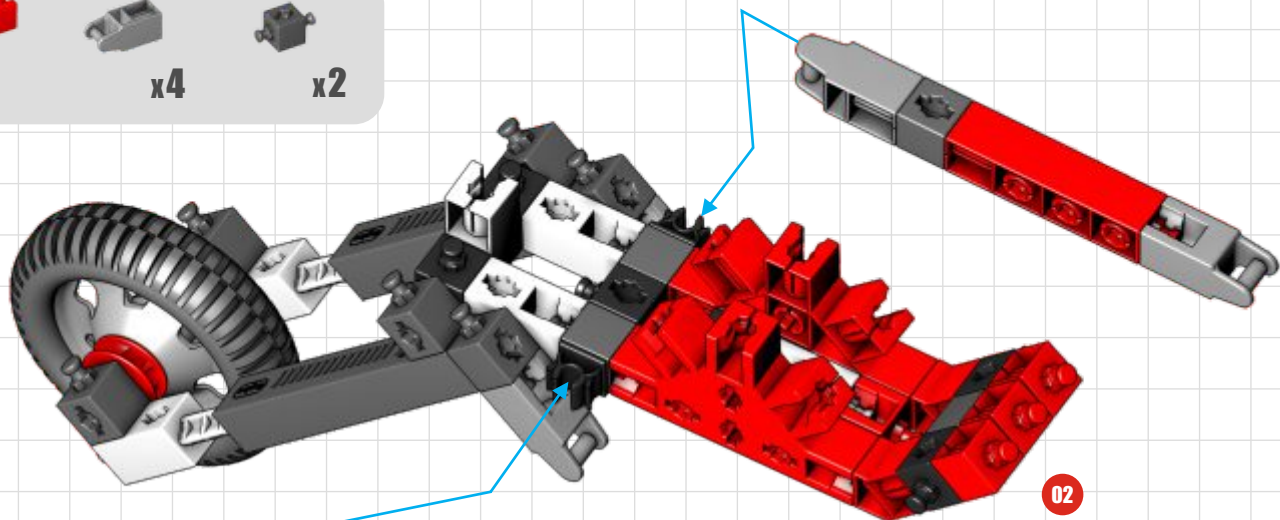
x2



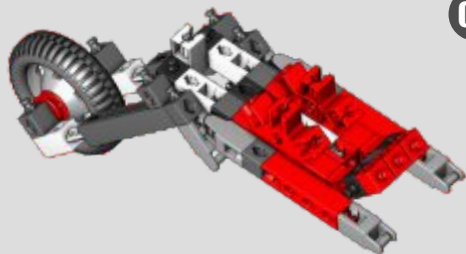
x4



x2



02



03



x2



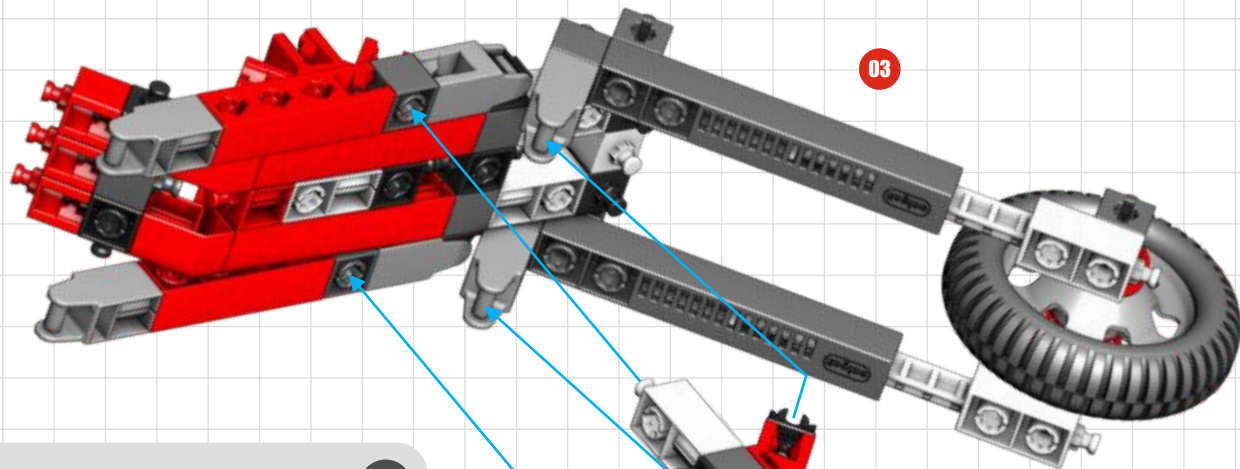
x2



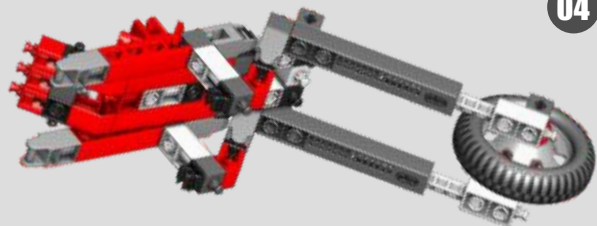
x2



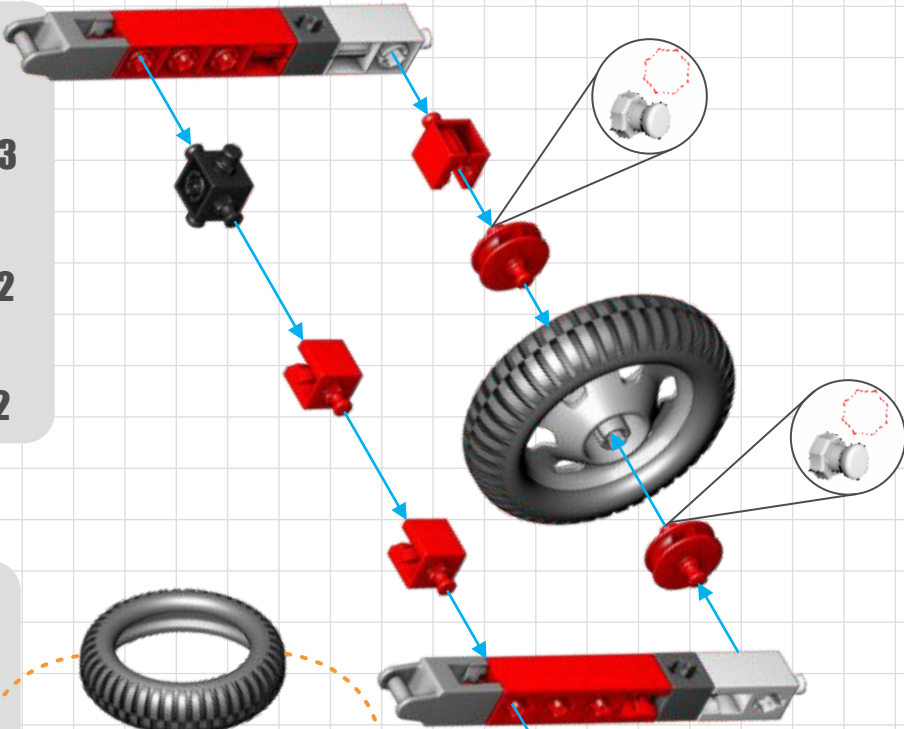
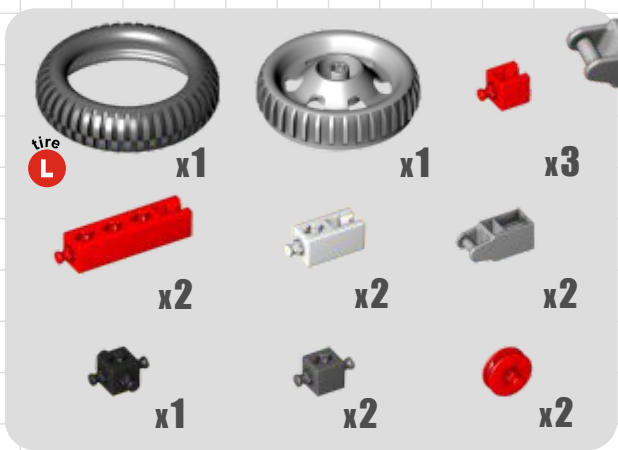
x4



03

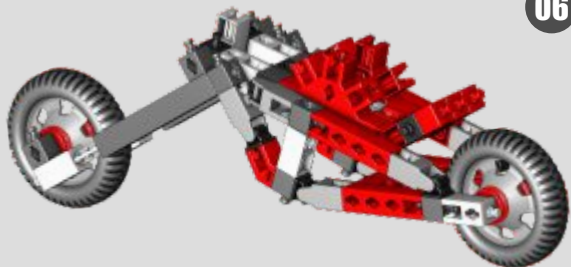
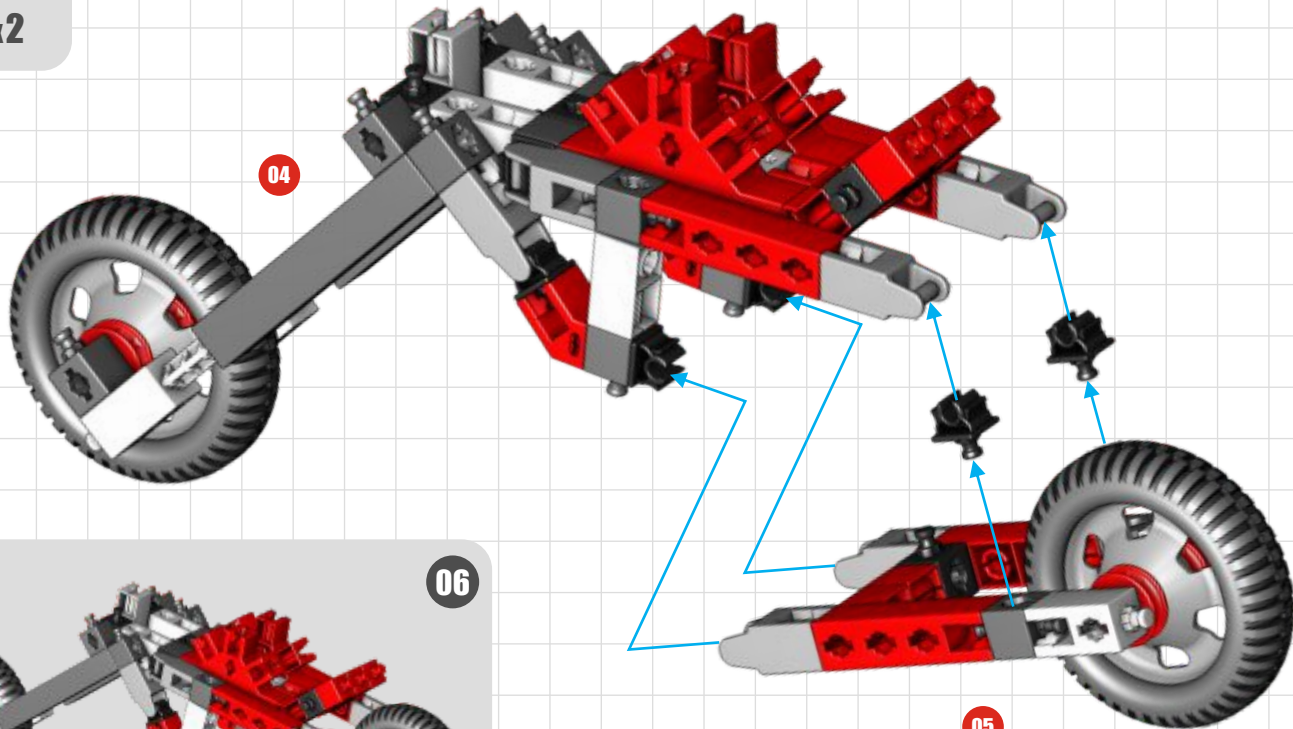


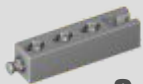
04





x2





x3



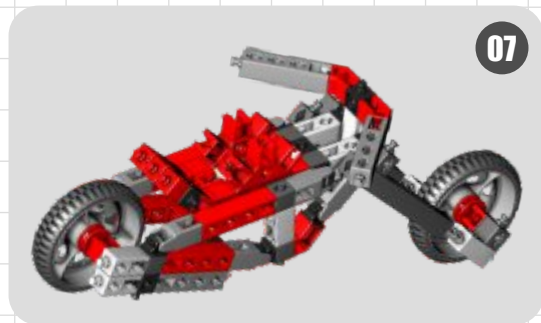
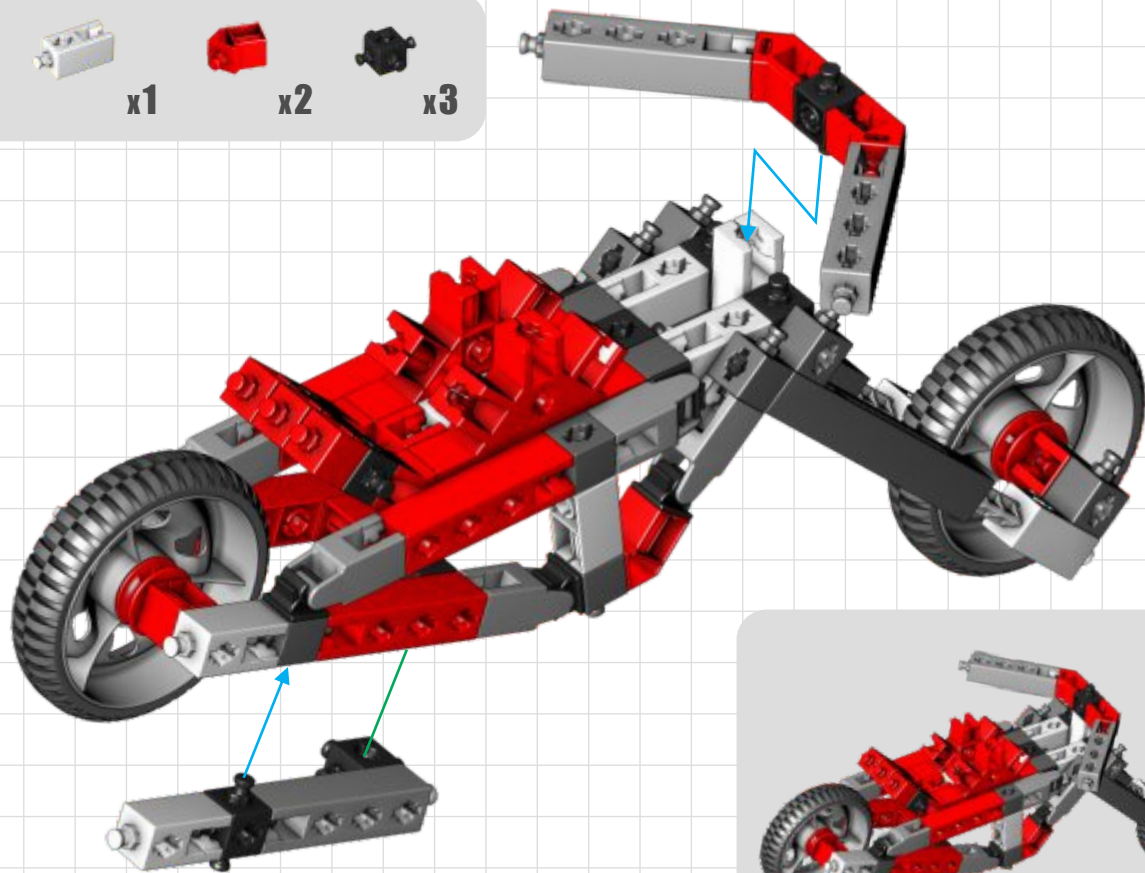
x1



x2



x3





x3



x4



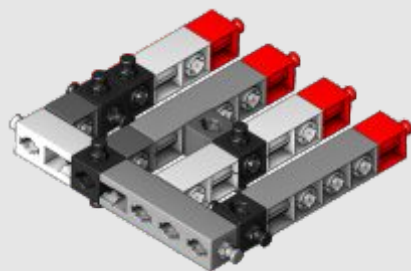
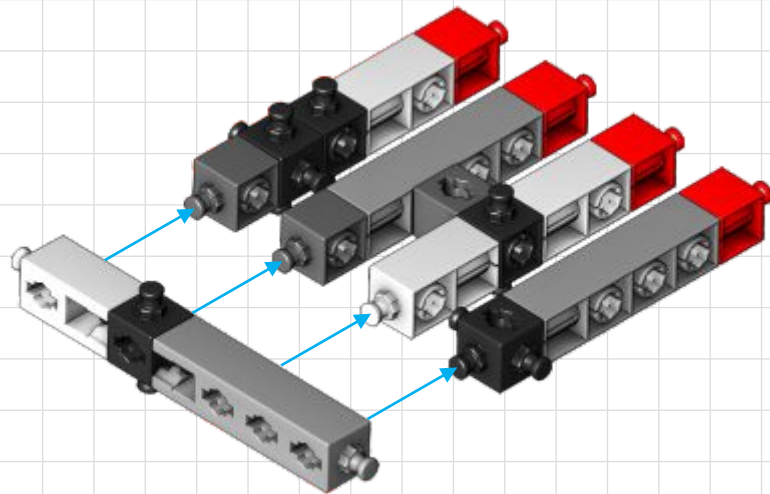
x5



x3



x4



08



x1



x2



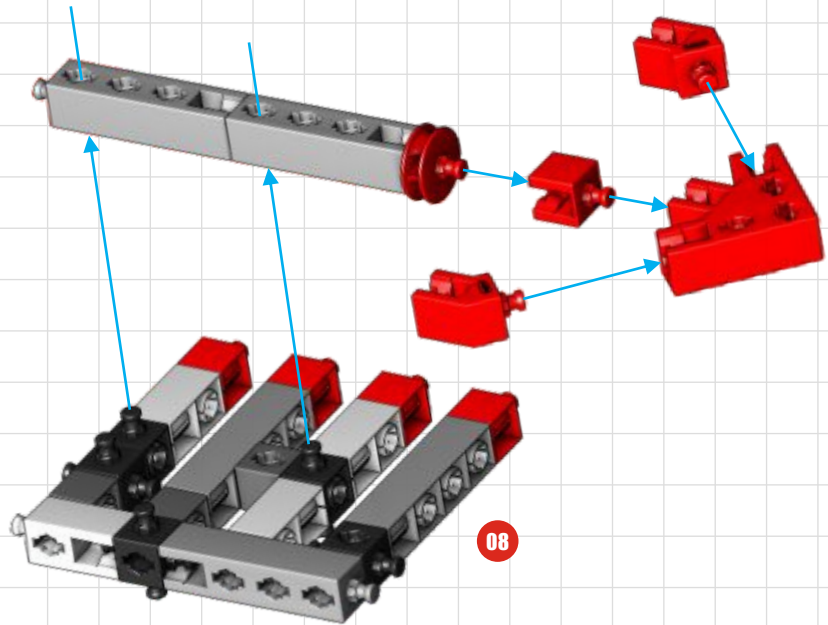
x2



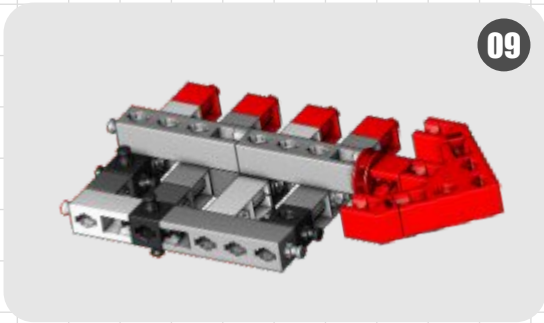
x1



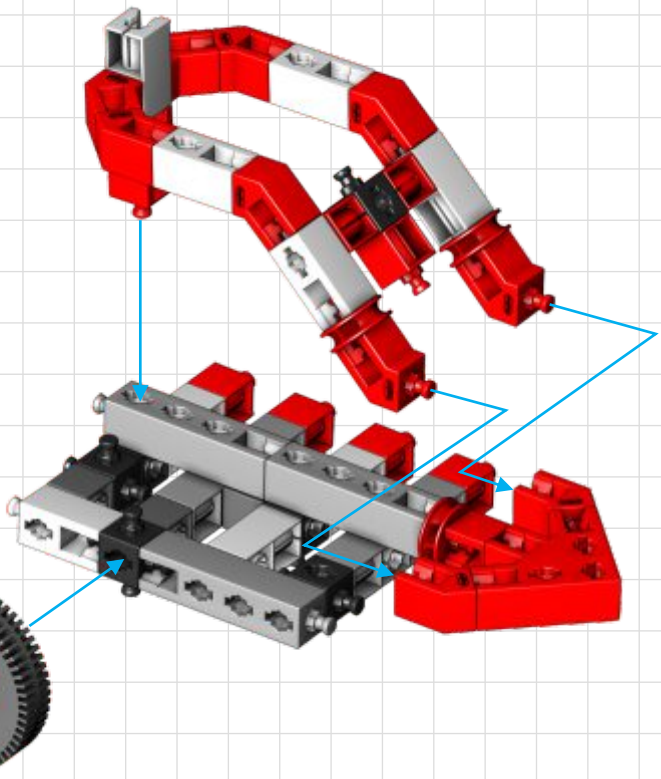
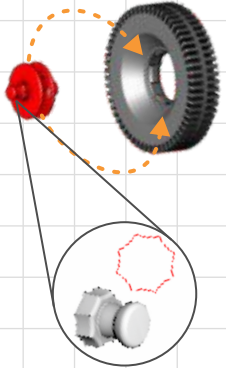
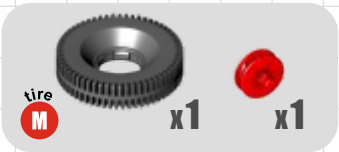
x1

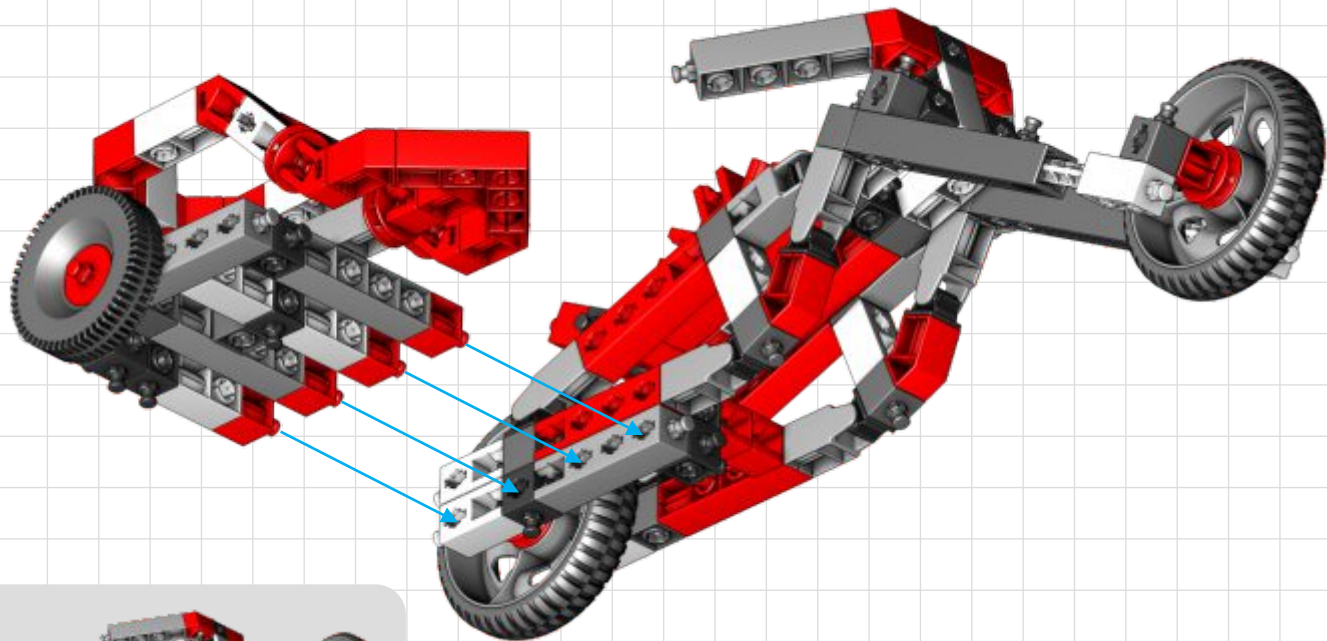


08



09





12

